

BS

Fixed speed pump units

Variable speed pump units with frequency converter



page 486

EASYMAT

Constant pressure boosting sets with Easymat frequency converter with 1 or 3
MGP, MXP, MXH, MXSU, MXVB, 4SDF



page 545

BS.F

Fixed speed pump pressure boosting sets for civil use with 1-2-3 **MXSU**

BS1V.F, BS.V

Variable speed pump pressure boosting sets for civil use with 1-2-3 **MXSU**



page 498

VARIOMAT 2

Constant pressure boosting sets with Variomat frequency converter with 1 or 2
MXH, MXVB



page 550

BS.F

Fixed speed pump pressure boosting sets for civil use with 1-2-3 **MXVB**

BS1V.F, BS.V

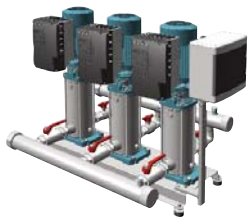
Variable speed pump pressure boosting sets for civil use with 1-2-3 **MXVB**



page 503

I-MAT

Constant pressure boosting sets with I-MAT frequency converter with 1 or 3
MXH, MXVB, MXV



page 557

BS.F

Fixed speed pump pressure boosting sets for civil use with 1-2-3 **MXV**

BS1V.F, BS.V

Variable speed pump pressure boosting sets for civil use with 1-2-3 **MXV**



page 525

BS2F

Fixed speed pump pressure boosting sets for domestic use with 2
MGP, MXP, NM, NMD, NG, NGL, NGX

BS1V1F, BS2V

Variable speed pump pressure boosting sets for domestic use with 2
MGP, MXP, NM, NMD



page 569

BS.F

Fixed speed pump pressure boosting sets for civil use with 1-2-3 **NM, NMD**

BS1V.F, BS.V

Variable speed pump pressure boosting sets for civil use with 1-2-3 **NM, NMD**



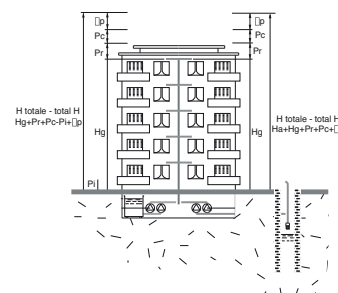
page 538

BS.F

Fixed speed pump pressure boosting sets for civil use with 1-2-3 **MXH**

BS1V.F, BS.V

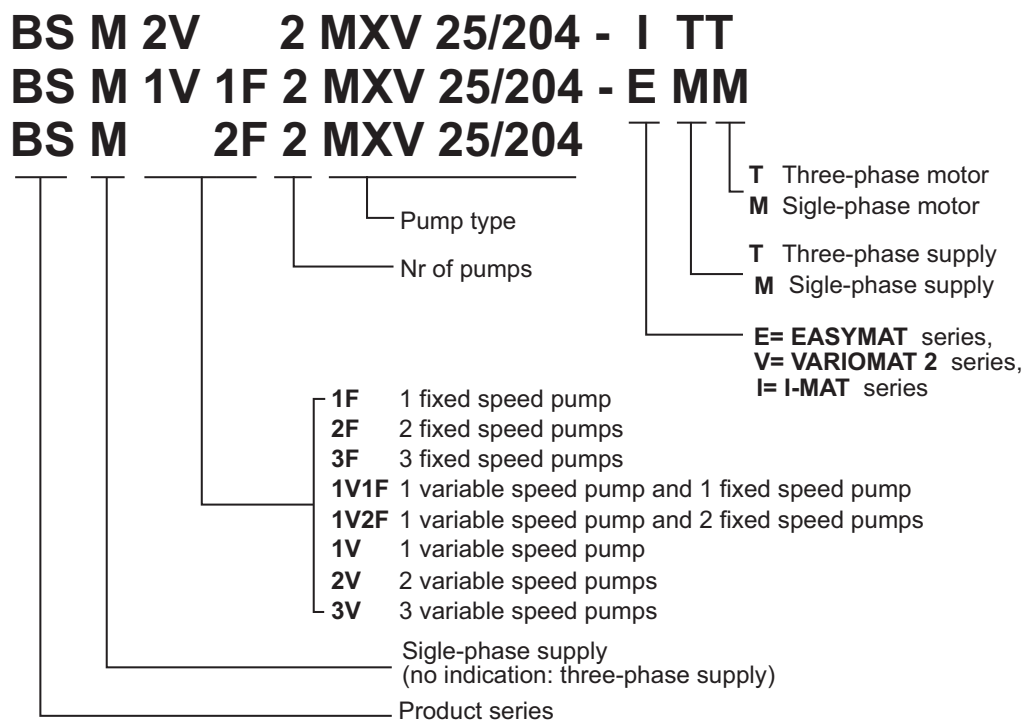
Variable speed pump pressure boosting sets for civil use with 1-2-3 **MXH**



TO SELECT A PRESSURE BOOSTING SET

page 620

Designation



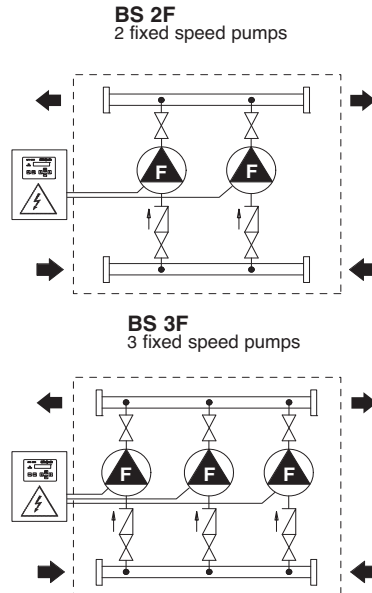
To select a Pressure Boosting Set see chap. 55 technical appendix at page 620.
For booster sets with 4, 5 and 6 pumps contact our Technical Sales Department.

BSF

with 2 and 3 fixed speed pumps

Construction

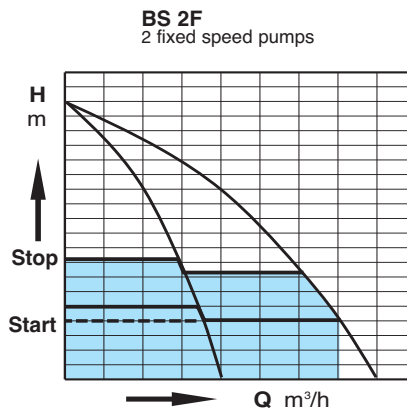
Pressure boosting sets with automatic operation, consisting in 2 and 3 pumps on a common baseplate, with suction and delivery manifolds, gate and non-return valves, pressure switches, pressure gauge, control panel and from 100 to 1000 litres diaphragm tank (on request).



Operation

The control panel, with electronic card, manages the pump operation, the changeover of pump starting sequence and it stops the system when there is no air in the tank (patented system).

Pumps starting in a cascade sequence, with a signal from the pressure switches.

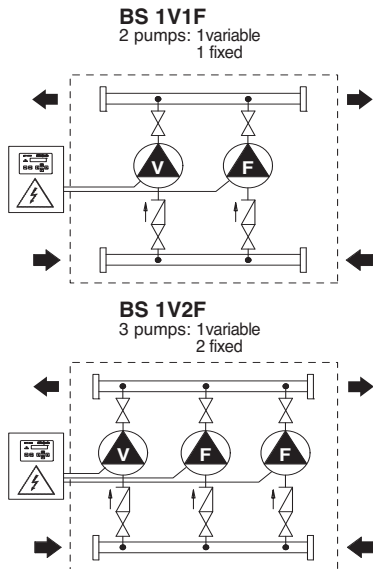


BSV.F.

1 variable speed pump (with frequency converter)
1 to 5 fixed speed pumps

Construction

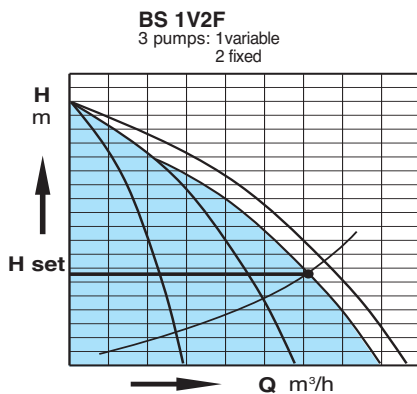
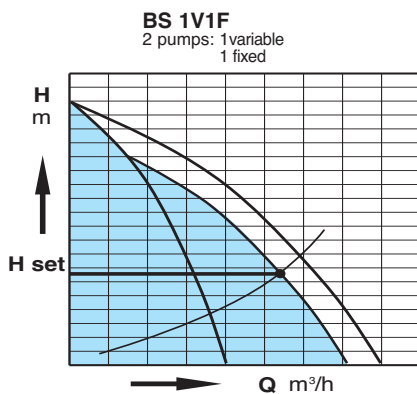
Pressure boosting sets with automatic operation, consisting of 1 variable speed pump with frequency converter and from 1 to 5 fixed speed pumps, assembled on a common baseplate, with suction and delivery manifolds, gate and non-return valves, pressure gauge, control panel and 20 litres diaphragm tank (on request).



Operation

The control panel, with electronic card, manages the pump operation, the changeover of fixed speed pumps starting sequence. Pumps starting is in a cascade sequence, with a signal from the pressure transducer.

Constant pressure is guaranteed by the variable speed pumps, while fixed speed pumps start when the request is higher than the capacity of the variable speed pump.

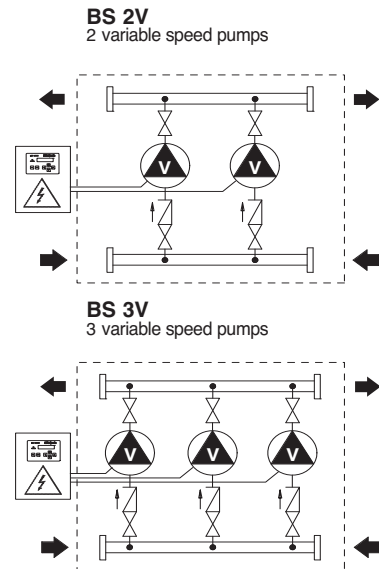


BSV

2-6 variable speed pumps (with frequency converter)

Construction

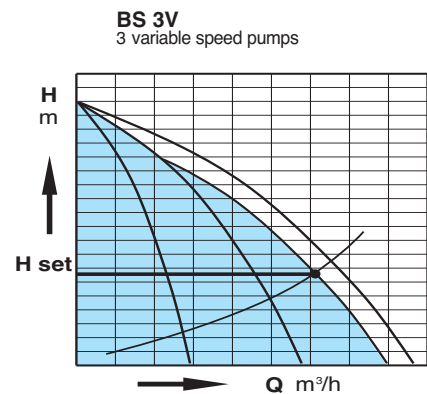
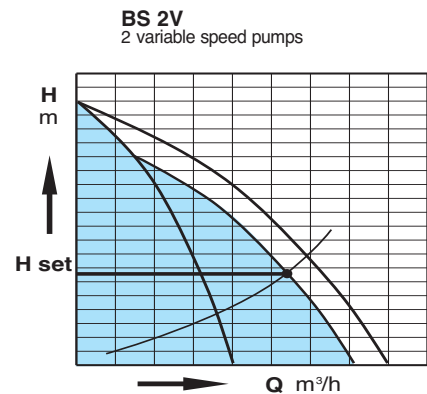
Pressure boosting sets with automatic operation, consisting of variable speed pumps (from 1 to 6) with frequency converter, assembled on a common baseplate, with suction and delivery manifolds, gate and non-return valves, pressure transducer, pressure gauge, control panel and 20 litres diaphragm tank (on request).



Operation

The control panel, with electronic card, manages the pump operation, the changeover of pumps starting sequence.

Pumps starting in a cascade sequence, with a signal from the pressure transducer.



Pressure Boosting Sets



Fixed speed pump units

New electrical control panels for fixed speed pump units.

New electrical control panels for pressurisation units, all with electronic card with microprocessors, for managing pump operation.

The microprocessor carries out continuous secure checks during all the various work phases of the pumps and incorporates all necessary functions, thus reducing electrical and electronic components inside the panel.

In particular:

- pumps starting in a cascade sequence according to water demand.
- changeover of pump starting sequence.
- delay start-up of the 2nd/3rd pump in case of breakdown of pressure switch 1 or after a power cut.
- avoid pump starting in case of water hammering.
- activate the alarm when pressure 1 fails.
- activate the alarm when air cushion in the vessel drops.
- stop the pump when air cushion is over*.

* Patent pending

Maximum clarity for all signals

The status of the unit can easily be identified on the front of the electronic card with the following signals:

- Power on.
- No water.
- Failure.
- Pump running.
- Thermal block.
- Pump automatic operation.
- Pump stop.

Maximum simplicity of control

The front of electronic card features the following signals and controls:

- AUT-STOP push-button (1 for each pump)
- MAN push-button (1 for each pump)
- RESET push-button.

Optional remote control

The new panels have been designed to remotely reproduce all the electronic card signals (excluding the buttons), using RC 100 - RC 200 - RC 300 panels, connected with a simple two-pole cable.

The RA 100 panel enables a remote warning light and acoustic signal.

Control panel for units up to 6 pumps

Using the MPS 6000 (Multi Pumps System) electronic card it is possible to control pressure units up to a maximum of 6 fixed speed pumps with a single pressure calibration.

Automatic air supply systems

The pump control panels are completed by microprocessor controlled systems for automatic air supply in the pressure vessels by means of a compressor or solenoid valve.

Operation

For booster sets made up to three pumps: according to the pressure decrease in the system, the pressure switches make the pumps to start in cascade mode and the starting changeover is made by the microprocessor.

For sets made of 4, 5, 6 pumps: Operation controlled by a microprocessor with signal from a pressure transducer. The pumps operate with only one pressure setting.



Pressure Boosting Sets



Variable speed pump units with frequency converter

New electrical control panels for variable speed pump units.

New electrical control panels for pressurisation units with variable speed pumps.

These are indispensable in all those cases where constant pressure is required and when high pressure pumps are being controlled. All the various working phases are managed and controlled by the MPS 6000 (Multi Pumps System) electronic card with microprocessor, which can operate up to 6 pumps working simultaneously.

Maximum clarity of signals

All the various calibration parameters appear as messages on the display of the MPS 6000 electronic card.

If there are any faults or defects a message appears on the display giving details of the problem.

Possibility of remote control

The pump status can be displayed and the unit can be controlled by means of a special computer program.

It is possible to obtain a remote warning light and acoustic signal on the RA 100 panel.

Constant or increased pressure

All the pumps can work with the same pressure value (set point), or, for systems with high head losses, the pressure can be increased depending on the number of pumps operating.

Silent operation

Motors working at reduced speed and check valves that close gradually mean that operation is particularly quiet.

Long life for pumps

All the mechanical components of the pumps and motors are stressed to a minimum, due to the variable speed operation.

Energy savings

The motors consume only the precise level of power necessary moment to moment, in order to supply the quantity of water required by the system.

No more high capacity vessels

The use of inverters means that high capacity pressure vessels and membrane vessels are no longer necessary. Even units with high flowrate pumps only require a small number of 20 litre membrane vessels.

Great versatility

The great versatility of the MPS 6000 electronic card enables the construction of special units with operational logics different from those of normal pressurisation units, depending on the requirements and characteristics of the systems.

Operation

Depending on water consumption, one or more pumps are activated, all at variable speed, in order to guarantee the quantity of water required at the set pressure.





Operation

BS1V1F Pressure boosting sets with 1 variable speed pump (with EASYMAT) and 1 fixed speed pump

According to the water consumption, one or more pumps start, one at variable speed and one at fixed speed, to grant the water quantity required at the set pressure.

BS1-3V Pressure boosting sets with 1 to 3 variable speed pumps (with EASYMAT).

Depending on water consumption, one or more pumps are activated, all at variable speed, in order to guarantee the quantity of water required at the set pressure.

Operation

CONSTANT PRESSURE MODE:



the system keeps the pressure constant when the quantity of water requested by the user changes.

FIXED SPEED MODE:



the system works at a fixed speed that user can choose according to his need.

Execution

Constant pressure boosting sets with **EASYMAT** frequency converter made of 1 to 3 pumps, ball valve and non return valve on suction side, ball valve and pressure gauge on delivery side.

Suction and delivery manifolds in stainless steel AISI 304 for 2 and 3 pump units.

Suitable for installation of a 8-lt cylindrical pressure vessel on delivery side.

EASYMAT device:

Frequency converter installed directly on the pump delivery pipe and water cooled (patented).

Only three parameters to set at starting:

- Maximum motor current
- Working frequency
- Working pressure

Possibility to display:

- Pressure of the system
- Working frequency
- Absorbed current
- Alarms

Applications

For drawing water out of a well

As pressure boosting pump for central water systems with low pressure (follow local specifications if increasing network pressure)

Motors

2-pole induction motors, 50Hz, $n \approx 2900$ rpm, suitable for operation with frequency converter

- Single-phase 230V +/-10%
- Three-phase 230V +/-10%

Class F insulation

IP 54 protection

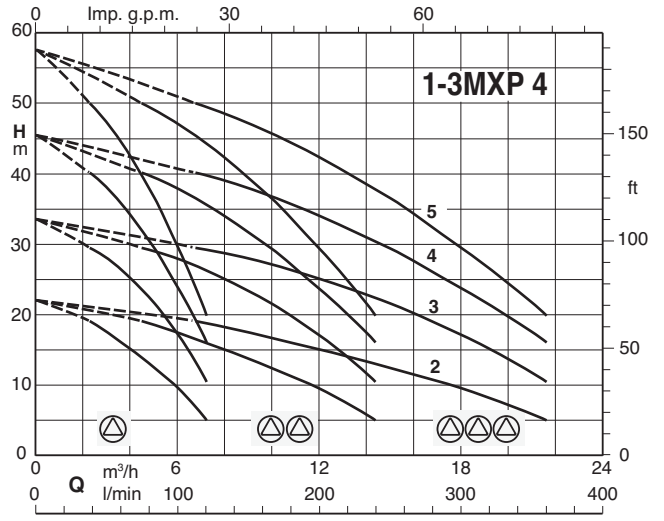
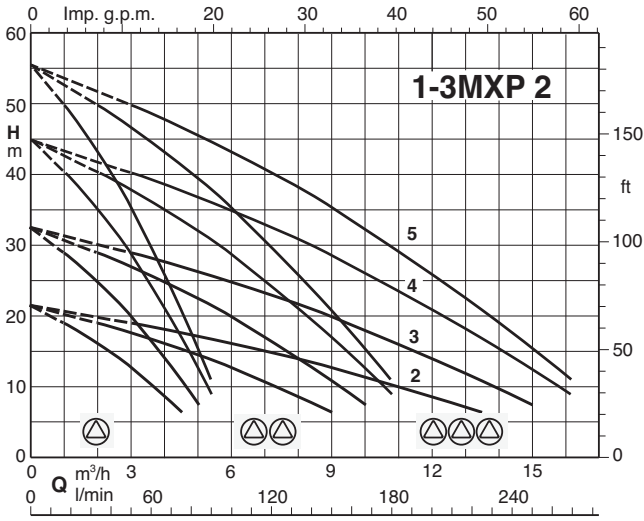
Execution according IEC 60034

Other voltages on demand

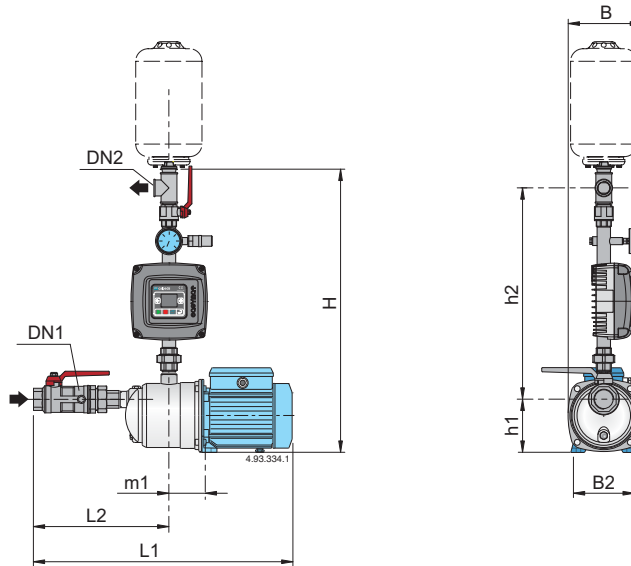
Pressure vessels (on demand)

Cylindrical with capacity 8 liters, membrane type, air precharged

Coverage chart

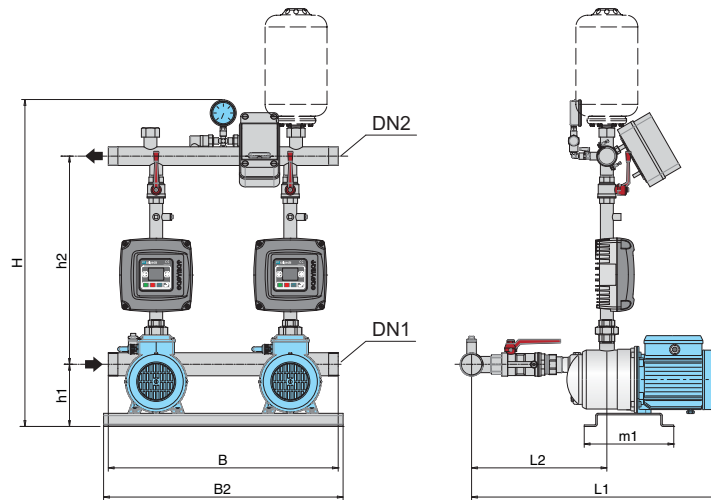


Characteristic and dimensions

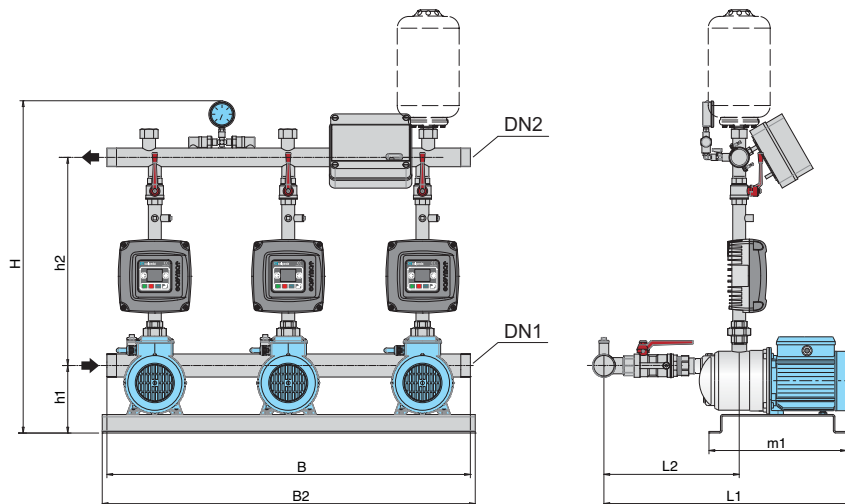


Mains: 1~ 230V Motor: 3~ 230V	mains A	motor A	Mains: 1~ 230V Motor: 1~ 230V	A	P ₂		DN1	DN2	mm							
					kW	HP			H	h1	h2	L1	L2	m1	B	B2
BSM1V 1MXP 202-EMT	2,1	1,7	BSM1V 1MXPM 202-EMM	2,3	0,33	0,45	G 1	G 1	680	127	495	516	269	95	165	146
BSM1V 1MXP 203-EMT	3,2	2,4	BSM1V 1MXPM 203-EMM	3	0,45	0,6						516				
BSM1V 1MXP 204/A-EMT	4	2,8	BSM1V 1MXPM 204/A-EMM	3,3	0,55	0,75						545				
BSM1V 1MXP 205/A-EMT	5	3,5	BSM1V 1MXPM 205-EMM	5,4	0,75	1						545				
BSM1V 1MXP 402-EMT	3,2	2,4	BSM1V 1MXPM 402-EMM	3	0,45	0,6	G 1	G 1	680	127	495	516	269	95	165	146
BSM1V 1MXP 403/A-EMT	4,3	3	BSM1V 1MXPM 403/A-EMM	3,5	0,55	0,75						545				
BSM1V 1MXP 404/B-EMT	5	3,5	BSM1V 1MXPM 404/A-EMM	5,4	0,75	1						545				
BSM1V 1MXP 405-EMT	6,4	4,5	BSM1V 1MXPM 405-EMM	7	1,1	1,5						545				
												575				

Characteristic and dimensions

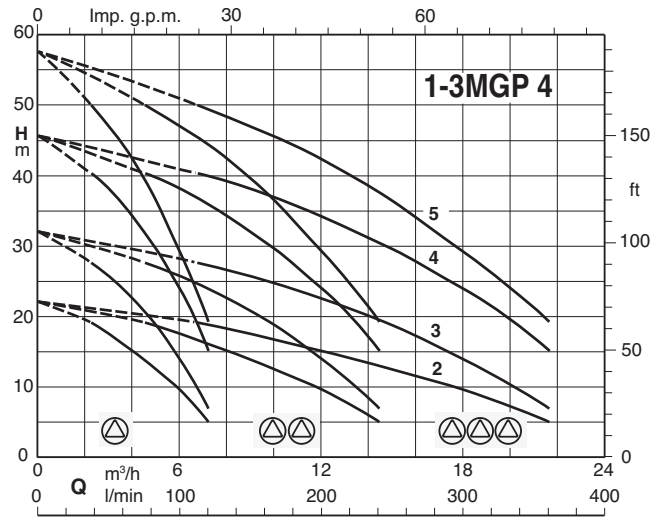
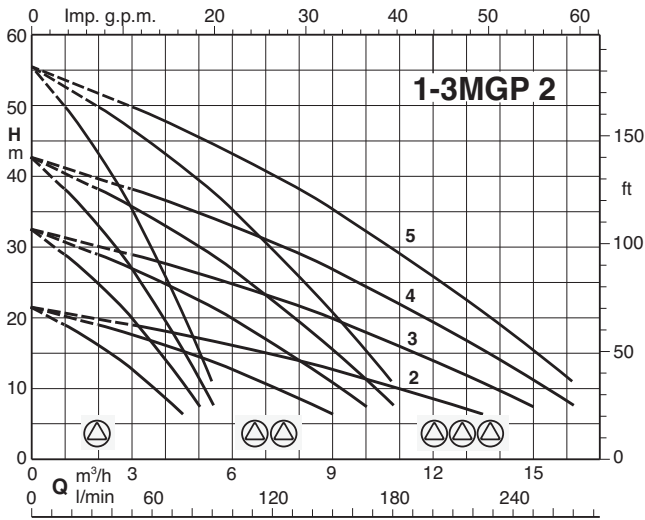


	Mains: 1~ 230V Motor: 3~ 230V		P ₂		DN1	DN2	mm							
	mains A	motor A	kW	HP			H	h1	h2	L1	L2	m1	B	B2
BSM2V 2MXP 202-EMT	2 x 2,1	2 x 1,7	2 x 0,33	2 x 0,45	G 2	G 1 1/2	841	150	510	573	326	240	600	625
BSM2V 2MXP 203-EMT	2 x 3,2	2 x 2,4	2 x 0,45	2 x 0,6										
BSM2V 2MXP 204/A-EMT	2 x 4	2 x 2,8	2 x 0,55	2 x 0,75										
BSM2V 2MXP 205/A-EMT	2 x 5	2 x 3,5	2 x 0,75	2 x 1										
BSM2V 2MXP 402-EMT	2 x 3,2	2 x 2,4	2 x 0,45	2 x 0,6	G 2	G 1 1/2	841	150	510	573	326	240	600	625
BSM2V 2MXP 403/A-EMT	2 x 4,3	2 x 3	2 x 0,55	2 x 0,75										
BSM2V 2MXP 404/B-EMT	2 x 5	2 x 3,5	2 x 0,75	2 x 1										
BSM2V 2MXP 405-EMT	2 x 6,4	2 x 4,5	2 x 1,1	2 x 1,5										

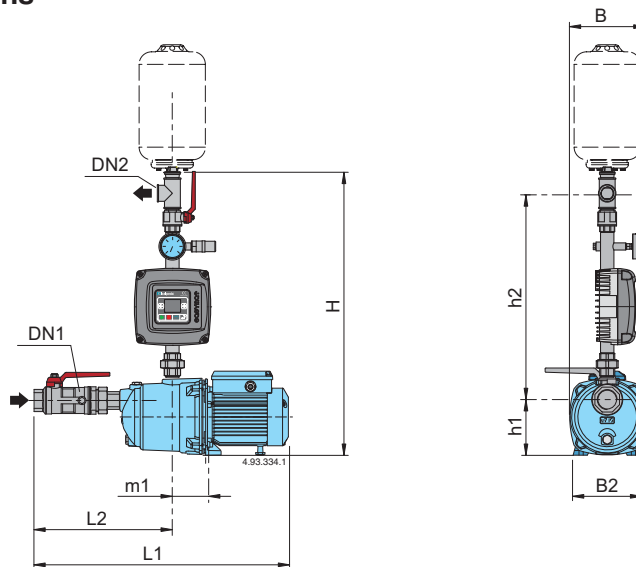


	Mains: 1~ 230V Motor: 3~ 230V		P ₂		DN1	DN2	mm							
	mains A	motor A	kW	HP			H	h1	h2	L1	L2	m1	B	B2
BSM3V 3MXP 202-EMT	3 x 2,1	3 x 1,7	3 x 0,33	3 x 0,45	G 2	G 1 1/2	841	150	510	573	326	240	600	625
BSM3V 3MXP 203-EMT	3 x 3,2	3 x 2,4	3 x 0,45	3 x 0,6										
BSM3V 3MXP 204/A-EMT	3 x 4	3 x 2,8	3 x 0,55	3 x 0,75										
BSM3V 3MXP 205/A-EMT	3 x 5	3 x 3,5	3 x 0,75	3 x 1										
BSM3V 3MXP 402-EMT	3 x 3,2	3 x 2,4	3 x 0,45	3 x 0,6	G 2	G 1 1/2	841	150	510	573	326	240	600	625
BSM3V 3MXP 403/A-EMT	3 x 4,3	3 x 3	3 x 0,55	3 x 0,75										
BSM3V 3MXP 404/B-EMT	3 x 5	3 x 3,5	3 x 0,75	3 x 1										
BSM3V 3MXP 405-EMT	3 x 6,4	3 x 4,5	3 x 1,1	3 x 1,5										

Coverage chart

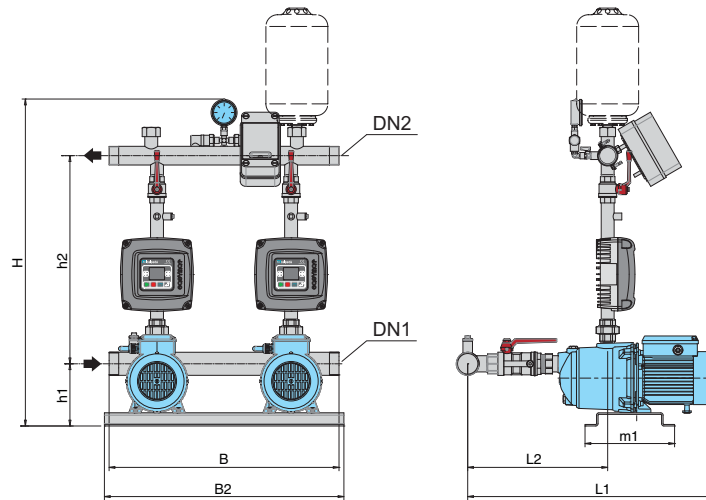


Characteristic and dimensions

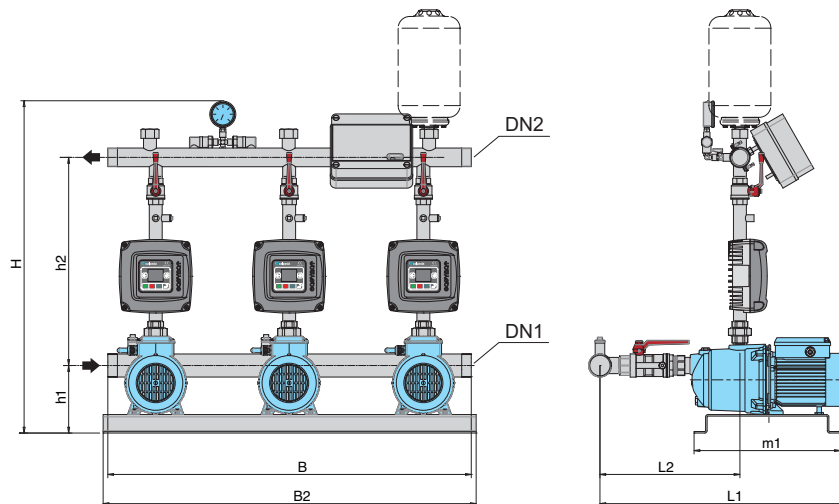


Mains: 1~ 230V Motor: 3~ 230V	mains motor		Mains: 1~ 230V Motor: 1~ 230V	P ₂			mm									
	A	A		A	kW	HP	DN1	DN2	H	h1	h2	L1	L2	m1	B	B2
BSM1V 1MGP 202-EMT	2,1	1,7	BSM1V 1MGPM 202-EMM	2,3	0,33	0,45	G 1	G 1	685	116	504	516	269	95	165	146
BSM1V 1MGP 203-EMT	3,2	2,4	BSM1V 1MGPM 203-EMM	3	0,45	0,6						516				
BSM1V 1MGP 204-EMT	4	2,8	BSM1V 1MGPM 204-EMM	3,3	0,55	0,75						516				
BSM1V 1MGP 205/A-EMT	5	3,5	BSM1V 1MGPM 205-EMM	5,4	0,75	1						545				
BSM1V 1MGP 402-EMT	3,2	2,4	BSM1V 1MGPM 402-EMM	3	0,45	0,6	G 1	G 1	685	116	504	516	269	95	165	146
BSM1V 1MGP 403-EMT	4,3	3	BSM1V 1MGPM 403-EMM	3,5	0,55	0,75						516				
BSM1V 1MGP 404/A-EMT	5	3,5	BSM1V 1MGPM 404-EMM	5,4	0,75	1						545				
BSM1V 1MGP 405-EMT	6,4	4,5	BSM1V 1MGPM 405-EMM	7	1,1	1,5						575				
												575				

Characteristic and dimensions

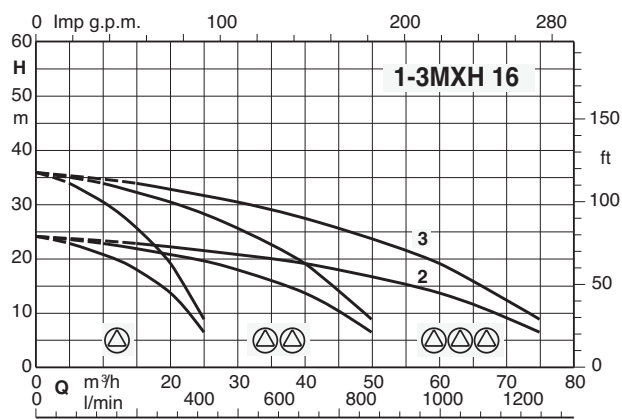
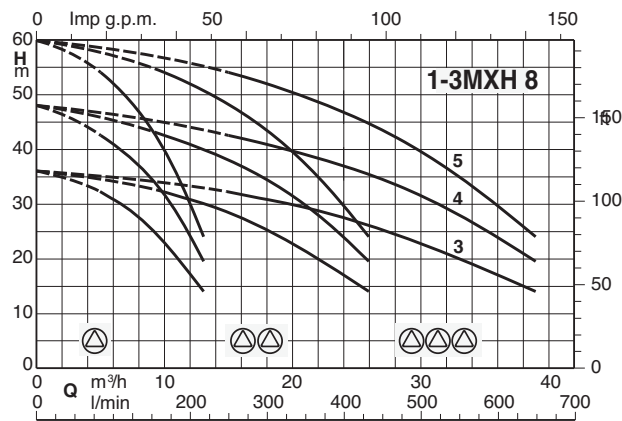
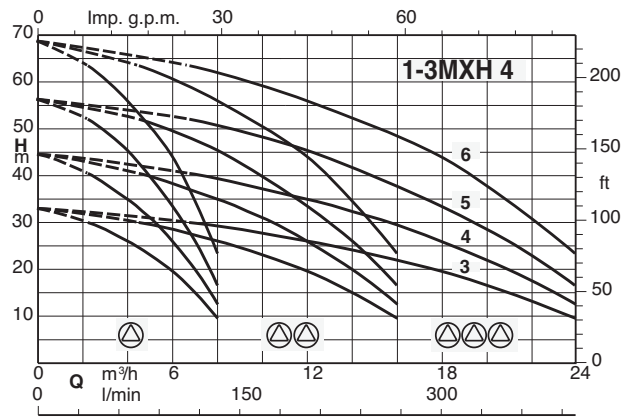
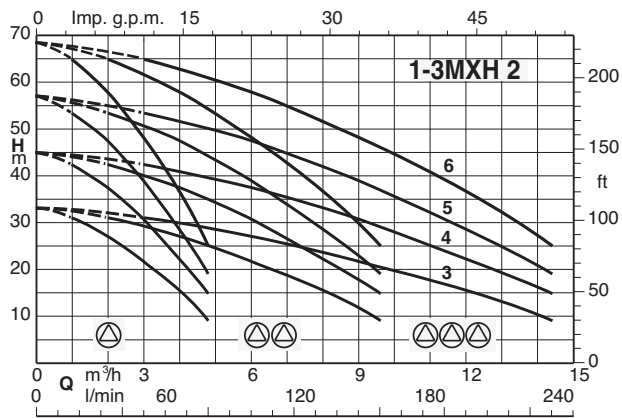


	Mains: 1~ 230V Motor: 3~ 230V		P ₂		DN1	DN2	mm							
	mains A	motor A	kW	HP			H	h1	h2	L1	L2	m1	B	B2
BSM2V 2MGP 202-EMT	2 x 2,1	2 x 1,7	2 x 0,33	2 x 0,45	G 2	G 1 1/2	825	150	494	573	326	240	600	625
BSM2V 2MGP 203-EMT	2 x 3,2	2 x 2,4	2 x 0,45	2 x 0,6						573				
BSM2V 2MGP 204-EMT	2 x 4	2 x 2,8	2 x 0,55	2 x 0,75						573				
BSM2V 2MGP 205/A-EMT	2 x 5	2 x 3,5	2 x 0,75	2 x 1						602				
BSM2V 2MGP 402-EMT	2 x 3,2	2 x 2,4	2 x 0,45	2 x 0,6	G 2	G 1 1/2	825	150	494	573	326	240	600	625
BSM2V 2MGP 403-EMT	2 x 4,3	2 x 3	2 x 0,55	2 x 0,75						573				
BSM2V 2MGP 404/A-EMT	2 x 5	2 x 3,5	2 x 0,75	2 x 1						602				
BSM2V 2MGP 405-EMT	2 x 6,4	2 x 4,5	2 x 1,1	2 x 1,5						632				

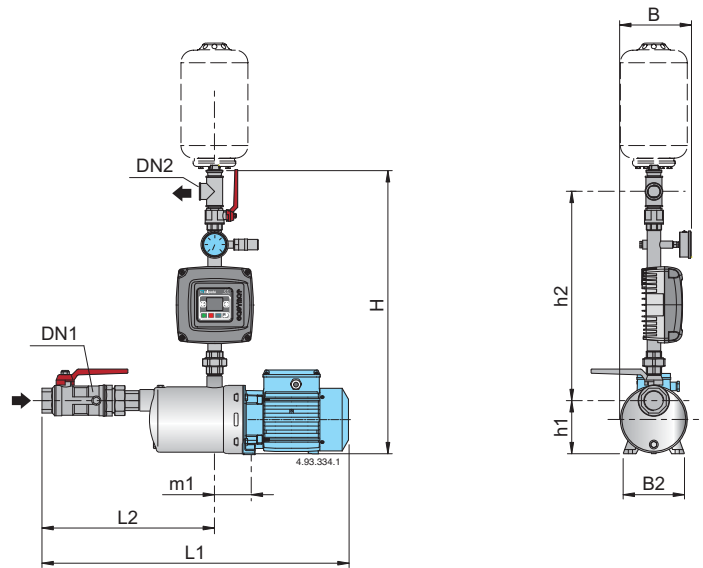


	Mains: 1~ 230V Motor: 3~ 230V		P ₂		DN1	DN2	mm							
	mains A	motor A	kW	HP			H	h1	h2	L1	L2	m1	B	B2
BSM3V 3MGP 202-EMT	3 x 2,1	3 x 1,7	3 x 0,33	3 x 0,45	G 2	G 1 1/2	825	150	494	573	326	240	600	625
BSM3V 3MGP 203-EMT	3 x 3,2	3 x 2,4	3 x 0,45	3 x 0,6						573				
BSM3V 3MGP 204-EMT	3 x 4	3 x 2,8	3 x 0,55	3 x 0,75						573				
BSM3V 3MGP 205/A-EMT	3 x 5	3 x 3,5	3 x 0,75	3 x 1						602				
BSM3V 3MGP 402-EMT	3 x 3,2	3 x 2,4	3 x 0,45	3 x 0,6	G 2	G 1 1/2	825	150	494	573	326	240	600	625
BSM3V 3MGP 403-EMT	3 x 4,3	3 x 3	3 x 0,55	3 x 0,75						573				
BSM3V 3MGP 404/A-EMT	3 x 5	3 x 3,5	3 x 0,75	3 x 1						602				
BSM3V 3MGP 405-EMT	3 x 6,4	3 x 4,5	3 x 1,1	3 x 1,5						632				

Coverage chart

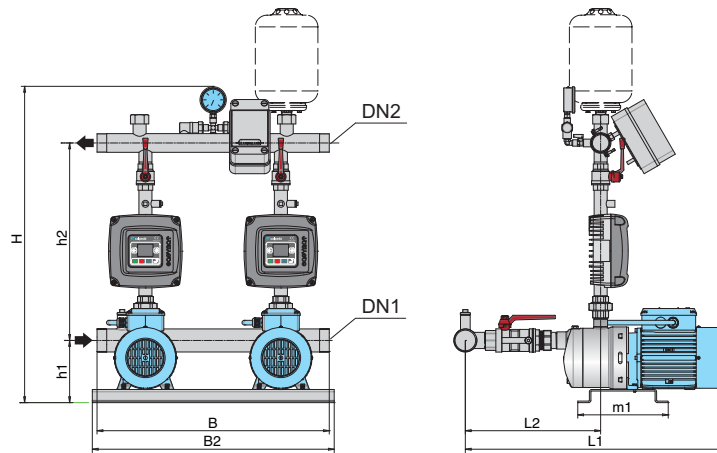


Characteristic and dimensions

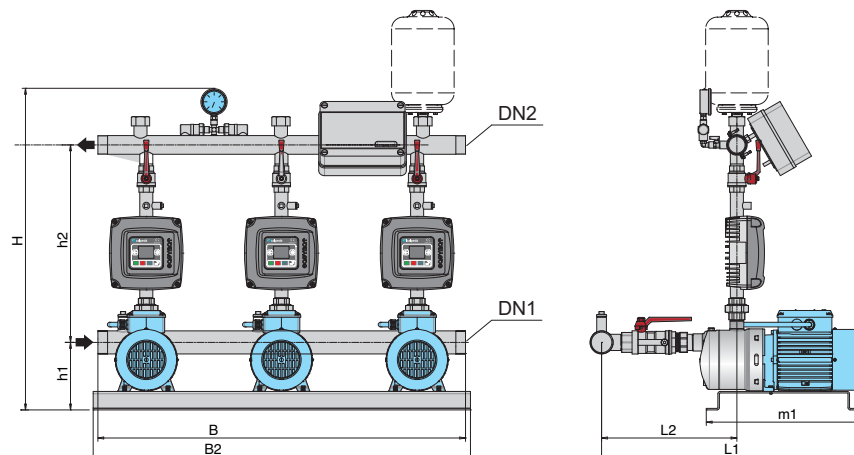


Mains: 1~ 230V Motor: 3~ 230V	mains		Mains: 1~ 230V Motor: 1~ 230V	P2		DN1	DN2	mm								
	A	A		A	kW			HP	H	h1	h2	L1	L2	m1	B	B2
BSM1V 1MXH 203E-EMT	3,2	2,4	BSM1V 1MXHM 203E-EMM	3	0,45	0,6	G 1 1/4	G 1	708	127	516	511	274	88	165	146
BSM1V 1MXH 204/A-EMT	4	2,8	BSM1V 1MXHM 204/A-EMM	4,2	0,55	0,75						561	298			
BSM1V 1MXH 205/B-EMT	5	3,5	BSM1V 1MXHM 205/A-EMM	5,4	0,75	1						585	322			
BSM1V 1MXH 206/C-EMT	6,3	4,7	BSM1V 1MXHM 206-EMM	7,4	1,1	1,5						609	346			
BSM1V 1MXH 403/A-EMT	4	2,8	BSM1V 1MXHM 403/A-EMM	4,2	0,55	0,75	G 1 1/4	G 1	708	127	516	537	274	88	165	146
BSM1V 1MXH 404/B-EMT	5	3,5	BSM1V 1MXHM 404/A-EMM	5,4	0,75	1						561	298			
BSM1V 1MXH 405/C-EMT	6,7	4,7	BSM1V 1MXHM 405-EMM	7,4	1,1	1,5						585	322			
BSM1V 1MXH 406/A-EMT	8	6,2			1,5	2						680	346			
BSM1V 1MXH 803/A-EMT	7,1	5	BSM1V 1MXHM 803-EMM	7,4	1,1	1,5	G 1 1/2	G 1	708	127	516	657	323	88	165	146
BSM1V 1MXH 804/A-EMT	8,6	6,2			1,5	2						687	353			
BSM1V 1MXH 805/B-EMT	10,7	7,5			1,8	2,5						717	383			
BSM1V 1MXH 1602/A-EMT	9,1	6,2			1,5	2						752	404			
BSM1V 1MXH 1603/B-EMT	10,7	7,5			1,8	2,5	G 2	G 1 1/2	750	117	560	752	404	101	165	146

Characteristic and dimensions

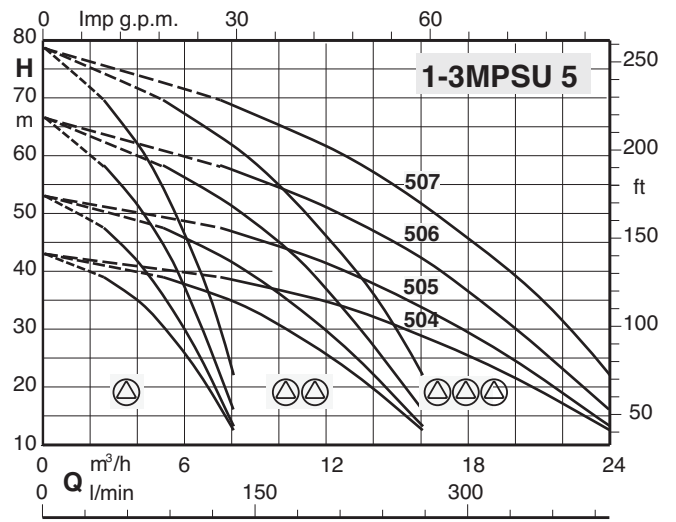
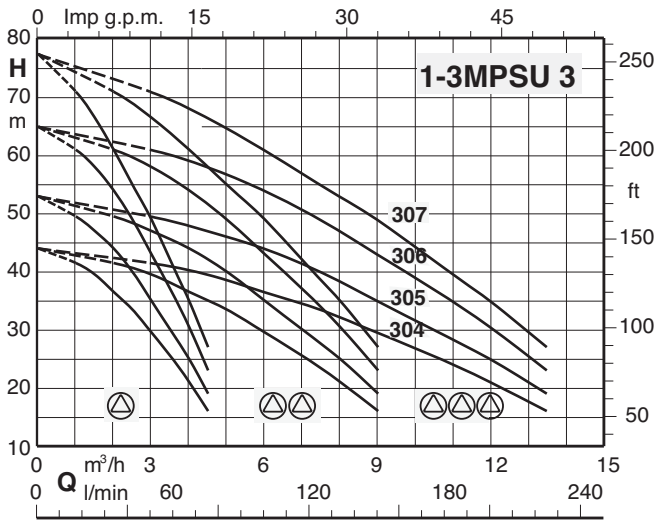


Mains: 1~ 230V Motor: 3~ 230V	mains A	motor A	P2		DN1	DN2	mm								
			kW	HP			H	h1	h2	L1	L2	m1	B	B2	
BSM2V 2MXH 203E-EMT	2 x 3,2	2 x 2,4	2 x 0,45	2 x 0,6	G 2	G 1 1/2	848	161	506	563	326	240	600	625	
BSM2V 2MXH 204/A-EMT	2 x 4	2 x 2,8	2 x 0,55	2 x 0,75						613	350				
BSM2V 2MXH 205/B-EMT	2 x 5	2 x 3,5	2 x 0,75	2 x 1						637	374				
BSM2V 2MXH 206/C-EMT	2 x 6,3	2 x 4,7	2 x 1,1	2 x 1,5	G 2	G 1 1/2	848	161	506	661	398	240	600	625	
BSM2V 2MXH 403/A-EMT	2 x 4	2 x 2,8	2 x 0,55	2 x 0,75						589	326				
BSM2V 2MXH 404/B-EMT	2 x 5	2 x 3,5	2 x 0,75	2 x 1						613	350				
BSM2V 2MXH 405/C-EMT	2 x 6,7	2 x 4,7	2 x 1,1	2 x 1,5	G 2	G 1 1/2	848	161	506	637	374	240	600	625	
BSM2V 2MXH 406/A-EMT	2 x 8	2 x 6,2	2 x 1,5	2 x 2						732	398				
BSM2V 2MXH 803/A-EMT	2 x 7,1	2 x 5	2 x 1,1	2 x 1,5						727	393				
BSM2V 2MXH 804/A-EMT	2 x 8,6	2 x 6,2	2 x 1,5	2 x 2	G 2 1/2	G 2	854	161	512	757	423	240	600	625	
BSM2V 2MXH 805/B-EMT	2 x 10,7	2 x 7,5	2 x 1,8	2 x 2,5						787	453				
BSM2V 2MXH 1602/A-EMT	2 x 9,1	2 x 6,2	2 x 1,5	2 x 2						829	481				
BSM2V 2MXH 1603/B-EMT	2 x 10,7	2 x 7,5	2 x 1,8	2 x 2,5	G 3	G 2 1/2	882	151	551	829	481	240	600	625	

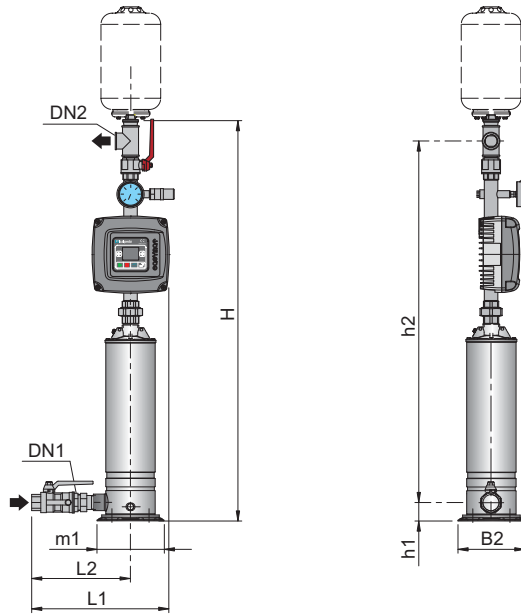


Mains: 1~ 230V Motor: 3~ 230V	mains A	motor A	P2		DN1	DN2	mm								
			kW	HP			H	h1	h2	L1	L2	m1	B	B2	
BSM3V 3MXH 203E-EMT	3 x 3,2	3 x 2,4	3 x 0,45	3 x 0,6	G 2	G 1 1/2	848	161	506	563	326	240	600	625	
BSM3V 3MXH 204/A-EMT	3 x 4	3 x 2,8	3 x 0,55	3 x 0,75						613	350				
BSM3V 3MXH 205/B-EMT	3 x 5	3 x 3,5	3 x 0,75	3 x 1						637	374				
BSM3V 3MXH 206/C-EMT	3 x 6,3	3 x 4,7	3 x 1,1	3 x 1,5	G 2	G 1 1/2	848	161	506	661	398	240	600	625	
BSM3V 3MXH 403/A-EMT	3 x 4	3 x 2,8	3 x 0,55	3 x 0,75						589	326				
BSM3V 3MXH 404/B-EMT	3 x 5	3 x 3,5	3 x 0,75	3 x 1						613	350				
BSM3V 3MXH 405/C-EMT	3 x 6,7	3 x 4,7	3 x 1,1	3 x 1,5	G 2	G 1 1/2	848	161	506	637	374	240	600	625	
BSM3V 3MXH 406/A-EMT	3 x 8	3 x 6,2	3 x 1,5	3 x 2						732	398				
BSM3V 3MXH 803/A-EMT	3 x 7,1	3 x 5	3 x 1,1	3 x 1,5						727	393				
BSM3V 3MXH 804/A-EMT	3 x 8,6	3 x 6,2	3 x 1,5	3 x 2	G 2 1/2	G 2	854	161	512	757	423	240	600	625	
BSM3V 3MXH 805/B-EMT	3 x 10,7	3 x 7,5	3 x 1,8	3 x 2,5						787	453				
BSM3V 3MXH 1602/A-EMT	3 x 9,1	3 x 6,2	3 x 1,5	3 x 2						829	481				
BSM3V 3MXH 1603/B-EMT	3 x 10,7	3 x 7,5	3 x 1,8	3 x 2,5	G 3	G 2 1/2	882	151	551	829	481	240	600	625	

Characteristic and dimensions

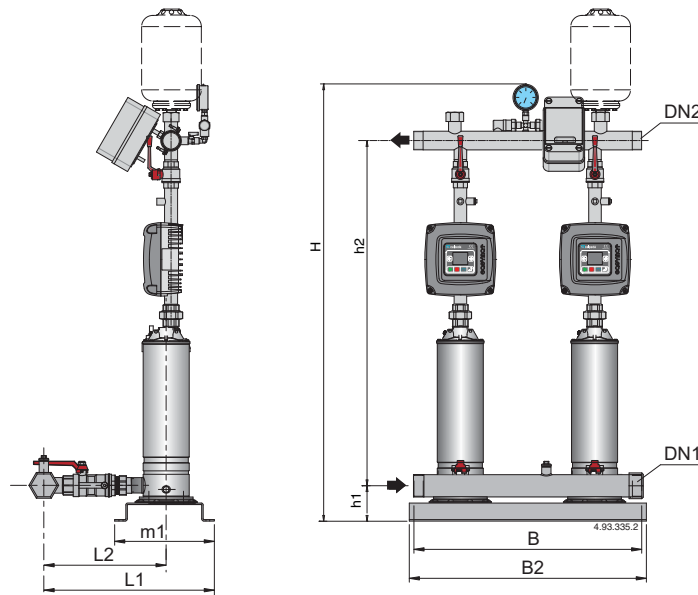


Characteristic and dimensions

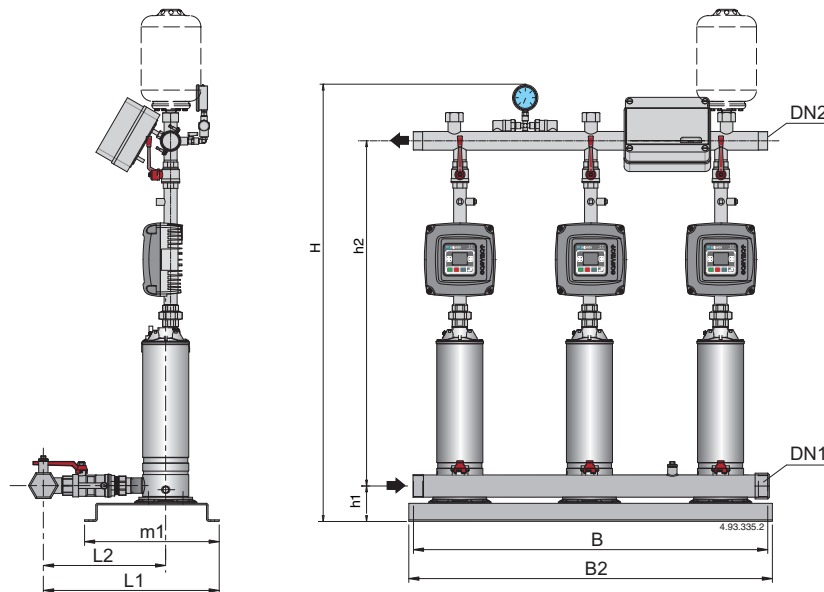


Mains: 1~ 230V Motor: 3~ 230V	mains motor		Mains: 1~ 230V Motor: 1~ 230V	P2		DN1	DN2	mm							
	A	A		A	kW			HP	H	h1	h2	L1	L2	m1	B2
BSM1V 1MPSU 304-EMT	3,9	2,8	BSM1V 1MPSUM 304-EMM	4,1	0,55	0,75	G 1 1/4	1 1/4	1055	50	952	376	286	180	205
BSM1V 1MPSU 305-EMT	4,7	3,3	BSM1V 1MPSUM 305-EMM	5	0,75	1			1124		1021				
BSM1V 1MPSU 306-EMT	5,4	3,8	BSM1V 1MPSUM 306-EMM	6	0,9	1,2			1148		1045				
BSM1V 1MPSU 307-EMT	6,4	4,5	BSM1V 1MPSUM 307-EMM	6,6	0,9	1,2			1172		1069				
BSM1V 1MPSU 504-EMT	6,4	3,8	BSM1V 1MPSUM 504-EMM	6	0,9	1,2	G 1 1/4	G 1 1/4	1100	50	997	376	286	180	205
BSM1V 1MPSU 505-EMT	6,4	4,5	BSM1V 1MPSUM 505-EMM	7	1,1	1,5			1124		1021				
BSM1V 1MPSU 506-EMT	6,9	4,8			1,1	1,5			1193		1090				
BSM1V 1MPSU 507-EMT	9,7	6,8			1,5	2			1142		1139				

Characteristic and dimensions

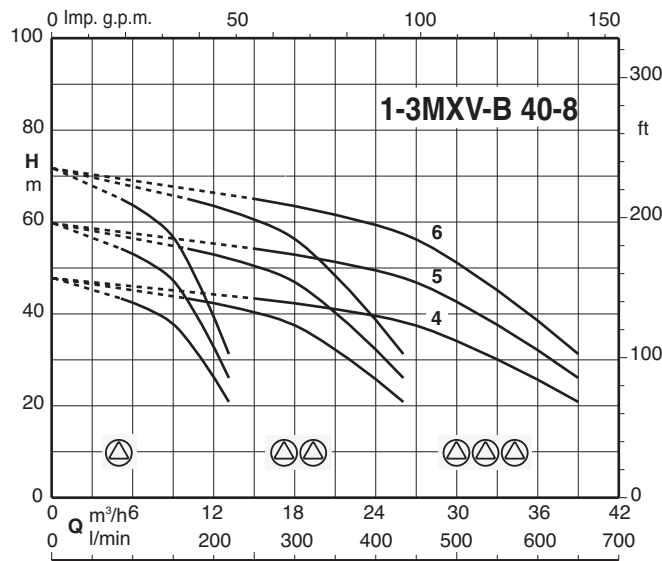
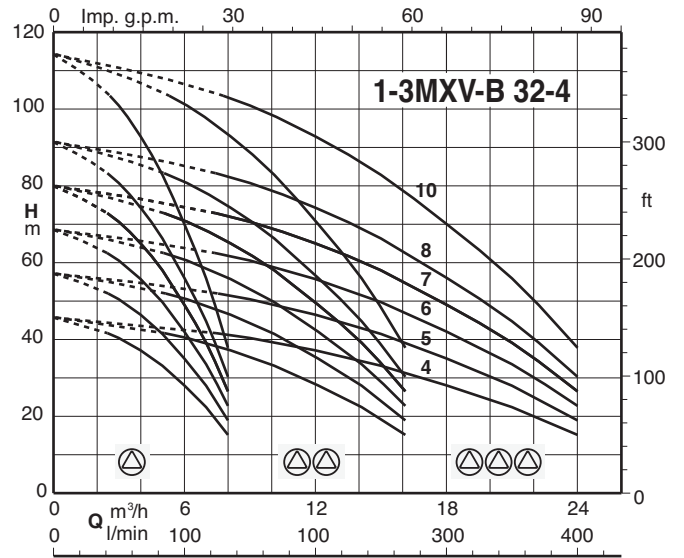
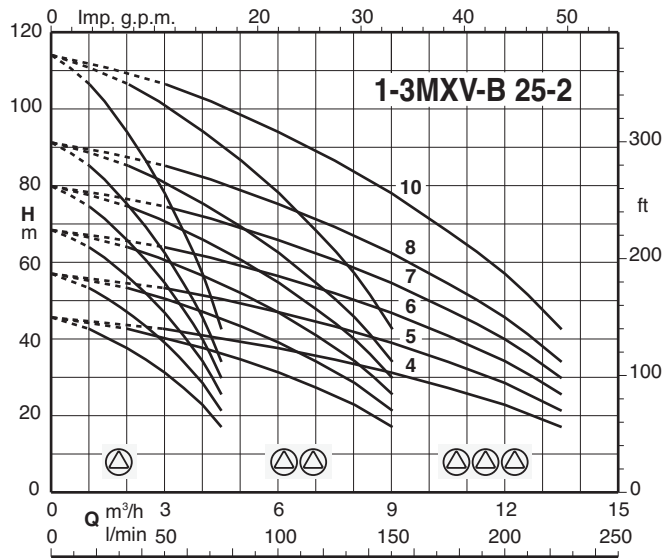


Mains: 1~ 230V Motor: 3~ 230V	mains A	motor A	P2		DN1	DN2	mm							
			kW	HP			H	h1	h2	L1	L2	m1	B	B2
BSM2V 2MPSU 304-EMT	2x3,9	2x2,8	2x0,55	2x0,75	G 2	G 2	1130	932	420	320	240	600	625	
BSM2V 2MPSU 305-EMT	2x4,7	2x3,3	2x0,75	2x1			1199	1001						
BSM2V 2MPSU 306-EMT	2x5,4	2x3,8	2x0,9	2x1,2			1223	1025						
BSM2V 2MPSU 307-EMT	2x6,4	2x4,5	2x0,9	2x1,2	G 2	G 2	1247	1049						
BSM2V 2MPSU 504-EMT	2x6,4	2x3,8	2x0,9	2x1,2			1175	977						
BSM2V 2MPSU 505-EMT	2x6,4	2x4,5	2x1,1	2x1,5			1199	1001						
BSM2V 2MPSU 506-EMT	2x6,9	2x4,8	2x1,1	2x1,5			1268	1070						
BSM2V 2MPSU 507-EMT	2x9,7	2x6,8	2x1,5	2x2			1317	1119						

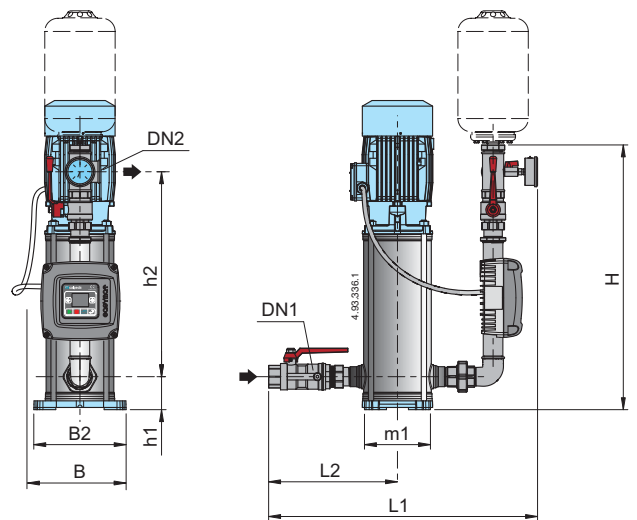


Mains: 1~ 230V Motor: 3~ 230V	mains A	motor A	P2		DN1	DN2	mm							
			kW	HP			H	h1	h2	L1	L2	m1	B	B2
BSM3V 3MPSU 304-EMT	3x3,9	3x2,8	3x0,55	3x0,75	G 2 1/2	G 2	1151	953	566	329	406	950	1000	
BSM3V 3MPSU 305-EMT	3x4,7	3x3,3	3x0,75	3x1			1120	1022						
BSM3V 3MPSU 306-EMT	3x5,4	3x3,8	3x0,9	3x1,2			1244	1046						
BSM3V 3MPSU 307-EMT	3x6,4	3x4,5	3x0,9	3x1,2	G 2 1/2	G 2	1268	1070						
BSM3V 3MPSU 504-EMT	3x6,4	3x3,8	3x0,9	3x1,2			1196	998						
BSM3V 3MPSU 505-EMT	3x6,4	3x4,5	3x1,1	3x1,5			1220	1022						
BSM3V 3MPSU 506-EMT	3x6,9	3x4,8	3x1,1	3x1,5			1286	1091						
BSM3V 3MPSU 507-EMT	3x9,7	3x6,8	3x1,5	3x2			1338	1140						

Characteristic and dimensions

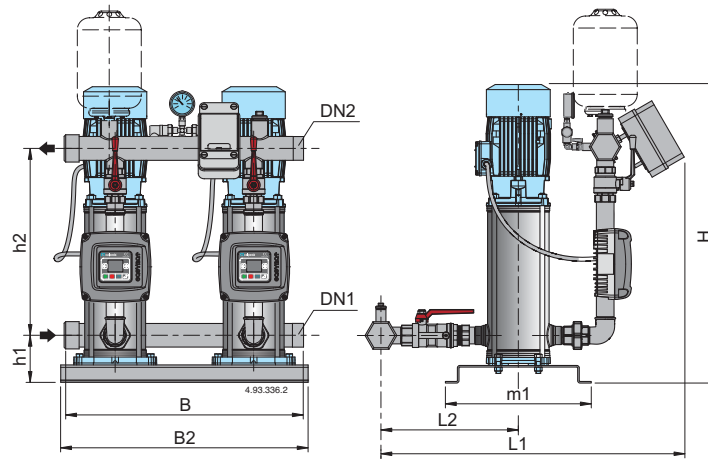


Characteristic and dimensions

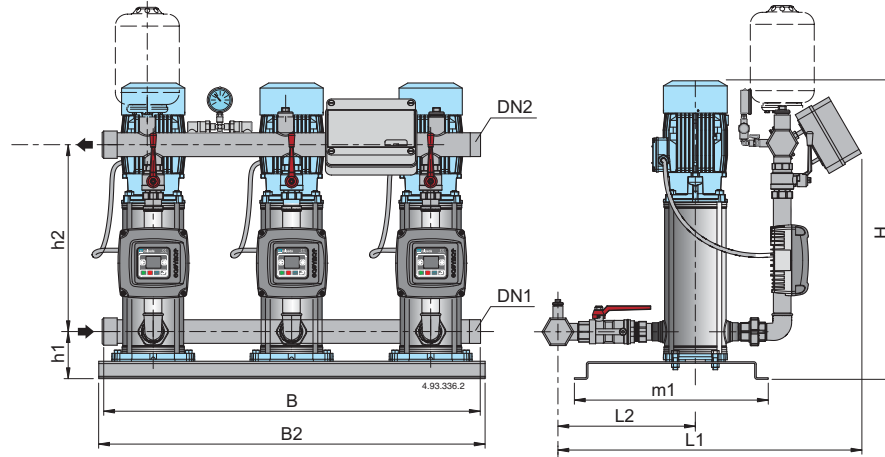


Mains: 1~ 230V Motor: 3~ 230V	mains		Mains: 1~ 230V Motor: 1~ 230V	A	P2		DN1	DN2	mm							
	A	A			kW	HP			H	h1	h2	L1	L2	m1	B	B2
BSM1V 1MXV-B 25-204-EMT	5,4	3,3	BSM1V 1MXV-BM 25-204-EMM	5,8	0,75	1	G 1	G 1	577	75	437	588	262	150	218	210
BSM1V 1MXV-B 25-205-EMT	5,4	3,3	BSM1V 1MXV-BM 25-205-EMM	5,8	0,75	1										
BSM1V 1MXV-B 25-206/A-EMT	7,1	4,7	BSM1V 1MXV-BM 25-206-EMM	7,4	1,1	1,5										
BSM1V 1MXV-B 25-207/A-EMT	7,1	4,7	BSM1V 1MXV-BM 25-207-EMM	7,4	1,1	1,5										
BSM1V 1MXV-B 25-208/A-EMT	10,8	7,5			1,5	2										
BSM1V 1MXV-B 25-210/A-EMT	10,8	7,5			1,5	2										
BSM1V 1MXV-B 32-404/A-EMT	7,1	4,7	BSM1V 1MXV-BM 32-404-EMM	7,4	1,1	1,5	G 1 1/4	G 1 1/4	600	75	458	633	288	150	218	210
BSM1V 1MXV-B 32-405/A-EMT	7,1	4,7	BSM1V 1MXV-BM 32-405-EMM	7,4	1,1	1,5										
BSM1V 1MXV-B 32-406/A-EMT	10,8	7,5			1,5	2										
BSM1V 1MXV-B 32-407/A-EMT	10,8	7,5			1,5	2										
BSM1V 1MXV-B 32-408/B-EMT	13,2	9,15			2,2	3										
BSM1V 1MXV-B 32-410/B-EMT	13,2	9,15			2,2	3										
BSM1V 1MXV-B 40-804/A-EMT	10,8	7,5			1,5	2	G 1 1/2	G 1 1/2	623	80	470	675	318	190	246	246
BSM1V 1MXV-B 40-805/B-EMT	13,2	9,15			2,2	3										
BSM1V 1MXV-B 40-806/B-EMT	13,2	9,15			2,2	3										

Characteristic and dimensions

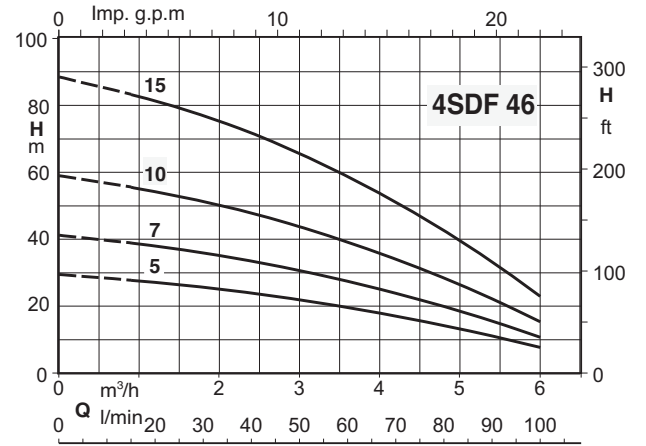
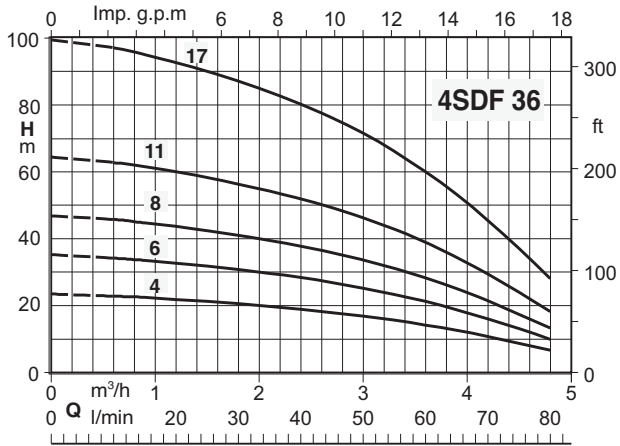
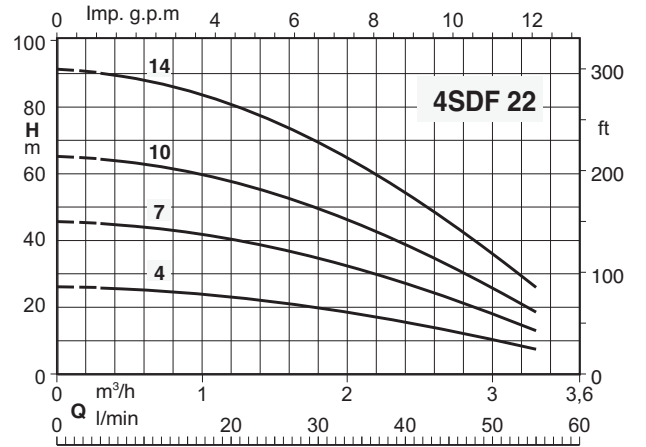
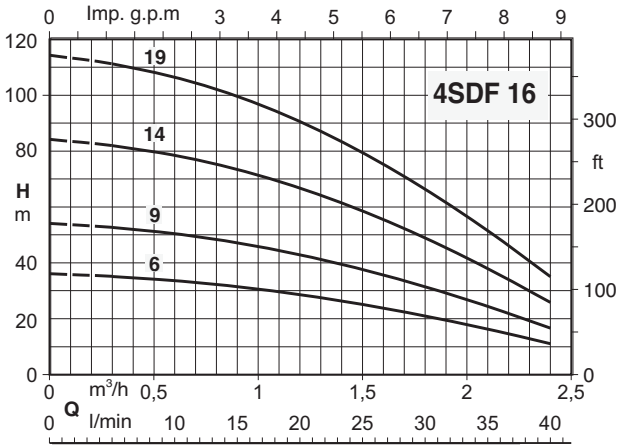


Mains: 1~ 230V Motor: 3~ 230V	mains A	motor A	P2		DN1	DN2	mm							
			kW	HP			H	h1	h2	L1	L2	m1	B	B2
BSM2V 2MXV-B 25-204-EMT	2 x 5,4	2 x 3,3	2 x 0,75	2 x 1	G 1 1/2	G 1 1/2	727	119	461	501	315	365	600	625
BSM2V 2MXV-B 25-205-EMT	2 x 5,4	2 x 3,3	2 x 0,75	2 x 1										
BSM2V 2MXV-B 25-206/A-EMT	2 x 7,1	2 x 4,7	2 x 1,1	2 x 1,5										
BSM2V 2MXV-B 25-207/A-EMT	2 x 7,1	2 x 4,7	2 x 1,1	2 x 1,5										
BSM2V 2MXV-B 25-208/A-EMT	2 x 10,8	2 x 7,5	2 x 1,5	2 x 2										
BSM2V 2MXV-B 25-210/A-EMT	2 x 10,8	2 x 7,5	2 x 1,5	2 x 2	G 2	G 2	743	119	477	544	340	365	600	625
BSM2V 2MXV-B 32-404/A-EMT	2 x 7,1	2 x 4,7	2 x 1,1	2 x 1,5										
BSM2V 2MXV-B 32-405/A-EMT	2 x 7,1	2 x 4,7	2 x 1,1	2 x 1,5										
BSM2V 2MXV-B 32-406/A-EMT	2 x 10,8	2 x 7,5	2 x 1,5	2 x 2										
BSM2V 2MXV-B 32-407/A-EMT	2 x 10,8	2 x 7,5	2 x 1,5	2 x 2										
BSM2V 2MXV-B 32-408/B-EMT	2 x 13,2	2 x 9,15	2 x 2,2	2 x 3	G 2 1/2	G 2 1/2	765	124	495	598	388	365	600	625
BSM2V 2MXV-B 32-410/B-EMT	2 x 13,2	2 x 9,15	2 x 2,2	2 x 3										
BSM2V 2MXV-B 40-804/A-EMT	2 x 10,8	2 x 7,5	2 x 1,5	2 x 2										
BSM2V 2MXV-B 40-805/B-EMT	2 x 13,2	2 x 9,15	2 x 2,2	2 x 3										
BSM2V 2MXV-B 40-806/B-EMT	2 x 13,2	2 x 9,15	2 x 2,2	2 x 3										

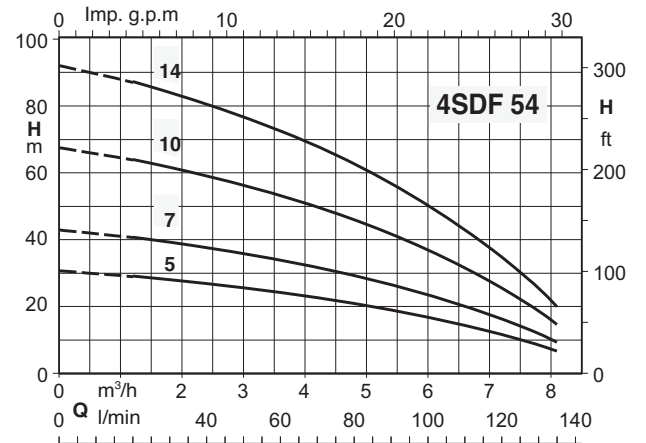


Mains: 1~ 230V Motor: 3~ 230V	mains A	motor A	P2		DN1	DN2	mm							
			kW	HP			H	h1	h2	L1	L2	m1	B	B2
BSM3V 3MXV-B 25-204-EMT	3 x 5,4	3 x 3,3	3 x 0,75	3 x 1	G 1 1/2	G 1 1/2	727	119	461	501	315	365	600	625
BSM3V 3MXV-B 25-205-EMT	3 x 5,4	3 x 3,3	3 x 0,75	3 x 1										
BSM3V 3MXV-B 25-206/A-EMT	3 x 7,1	3 x 4,7	3 x 1,1	3 x 1,5										
BSM3V 3MXV-B 25-207/A-EMT	3 x 7,1	3 x 4,7	3 x 1,1	3 x 1,5										
BSM3V 3MXV-B 25-208/A-EMT	3 x 10,8	3 x 7,5	3 x 1,5	3 x 2										
BSM3V 3MXV-B 25-210/A-EMT	3 x 10,8	3 x 7,5	3 x 1,5	3 x 2	G 2	G 2	743	119	477	544	340	365	600	625
BSM3V 3MXV-B 32-404/A-EMT	3 x 7,1	3 x 4,7	3 x 1,1	3 x 1,5										
BSM3V 3MXV-B 32-405/A-EMT	3 x 7,1	3 x 4,7	3 x 1,1	3 x 1,5										
BSM3V 3MXV-B 32-406/A-EMT	3 x 10,8	3 x 7,5	3 x 1,5	3 x 2										
BSM3V 3MXV-B 32-407/A-EMT	3 x 10,8	3 x 7,5	3 x 1,5	3 x 2										
BSM3V 3MXV-B 32-408/B-EMT	3 x 13,2	3 x 9,15	3 x 2,2	3 x 3	G 2 1/2	G 2 1/2	765	124	495	598	388	365	600	625
BSM3V 3MXV-B 32-410/B-EMT	3 x 13,2	3 x 9,15	3 x 2,2	3 x 3										
BSM3V 3MXV-B 40-804/A-EMT	3 x 10,8	3 x 7,5	3 x 1,5	3 x 2										
BSM3V 3MXV-B 40-805/B-EMT	3 x 13,2	3 x 9,15	3 x 2,2	3 x 3										
BSM3V 3MXV-B 40-806/B-EMT	3 x 13,2	3 x 9,15	3 x 2,2	3 x 3										

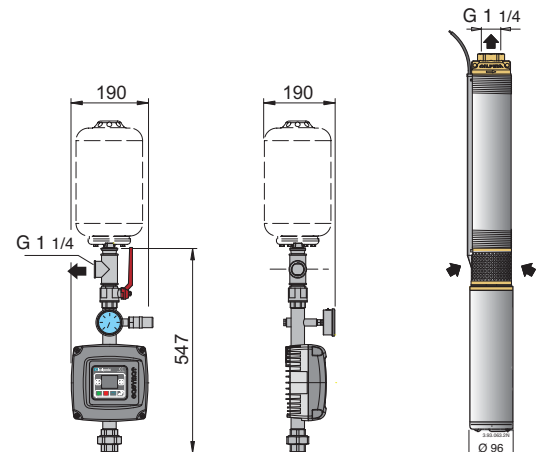
Coverage chart

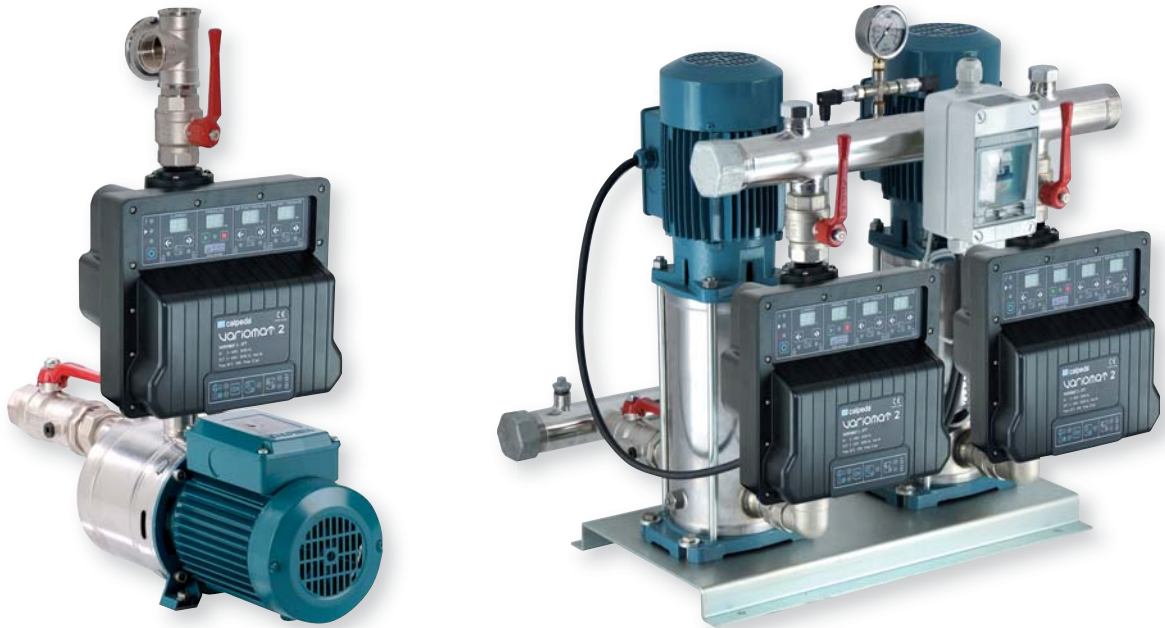


Characteristic and dimensions



Mains: 1~ 230V Motor: 3~ 230V			P ₂	
	mains A	motor A	kW	HP
BSM1V 1-4SDF 16/6E-EMT	2.5	1.9	0.37	0.5
BSM1V 1-4SDF 16/9E-EMT	2.5	1.9	0.37	0.5
BSM1V 1-4SDF 16/14E-EMT	3.7	2.8	0.55	0.75
BSM1V 1-4SDF 16/19E-EMT	4.8	3.5	0.75	1
BSM1V 1-4SDF 22/4E-EMT	2.5	1.9	0.37	0.5
BSM1V 1-4SDF 22/7E-EMT	2.5	1.9	0.37	0.5
BSM1V 1-4SDF 22/10E-EMT	3.7	2.8	0.55	0.75
BSM1V 1-4SDF 22/14E-EMT	4.8	3.5	0.75	1
BSM1V 1-4SDF 36/4E-EMT	2.5	1.9	0.37	0.5
BSM1V 1-4SDF 36/6E-EMT	2.5	1.9	0.37	0.5
BSM1V 1-4SDF 36/8E-EMT	3.7	2.8	0.55	0.75
BSM1V 1-4SDF 36/11E-EMT	4.8	3.5	0.75	1
BSM1V 1-4SDF 36/17E-EMT	6.8	4.9	1.1	1.5
BSM1V 1-4SDF 46/5E-EMT	2.5	1.9	0.37	0.5
BSM1V 1-4SDF 46/7E-EMT	3.7	2.8	0.55	0.75
BSM1V 1-4SDF 46/10E-EMT	4.8	3.5	0.75	1
BSM1V 1-4SDF 46/15E-EMT	6.8	4.9	1.1	1.5
BSM1V 1-4SDF 54/5E-EMT	3.7	2.8	0.55	0.75
BSM1V 1-4SDF 54/7E-EMT	4.8	3.5	0.75	1
BSM1V 1-4SDF 54/10E-EMT	6.8	4.9	1.1	1.5
BSM1V 1-4SDF 54/14E-EMT	9.5	6.8	1.5	2





Execution

Constant pressure boosting sets with **VARIOMAT 2** frequency converter made of one or two pumps, ball valve and non return valve on suction side, ball valve and pressure gauge on delivery side.

Suction and delivery manifolds in stainless steel AISI 304 for two pump units.
Suitable for installation of a 8-lt cylindrical pressure vessel on delivery side.

VARIOMAT 2 device:

Frequency converter installed directly on the pump delivery pipe and water cooled.


Only two parameters to set at starting:

- Working frequency
- Working pressure

Possibility to display:

- Pressure of the system
- Working frequency
- Absorbed current
- Alarms

Operation

 According to the water consumption, one or more pumps starts, all at variable speed, to ensure the required water quantity at the set pressure.

CONSTANT PRESSURE MODE:

the system keeps the pressure constant when the quantity of water requested by the user changes.

Applications

For drawing water out of a well

As pressure boosting pump for central water systems with low pressure (follow local specifications if increasing network pressure).

Motors

2-pole induction motors, 50Hz, $n \approx 2900$ rpm, suitable for operation with frequency converter

- Three-phase 400V +/-10%

Class F insulation

IP 54 protection

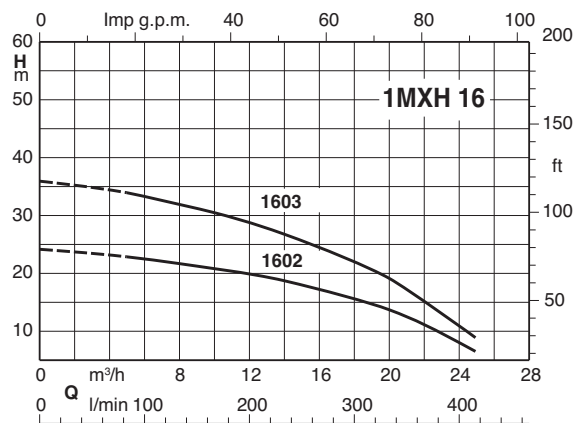
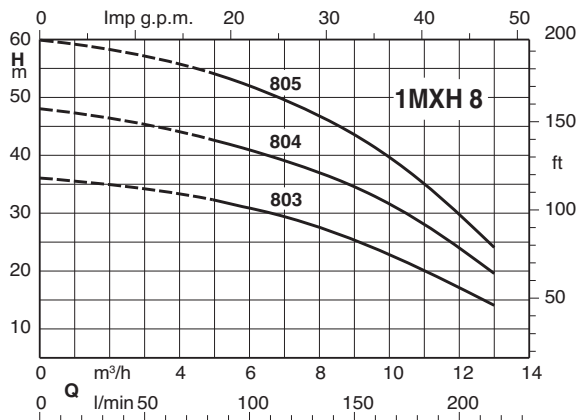
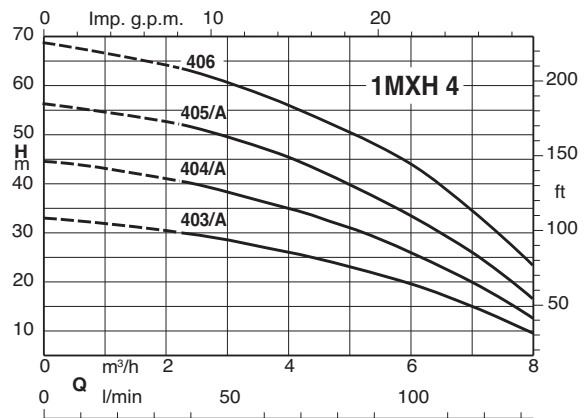
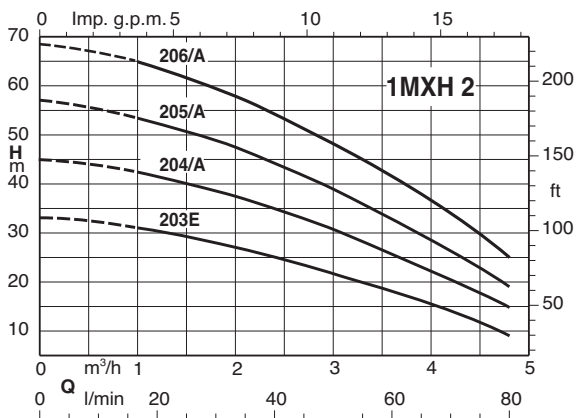
Execution according IEC 60034

Other voltages on demand

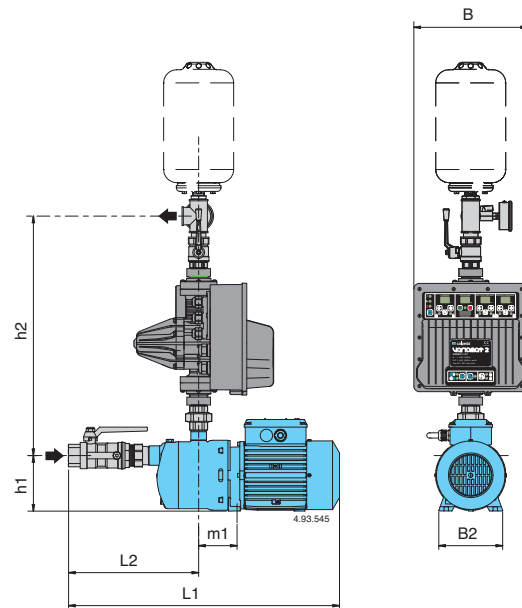
Pressure vessels (on demand)

Cylindrical with capacity 8 liters, membrane type, air precharged

Coverage chart

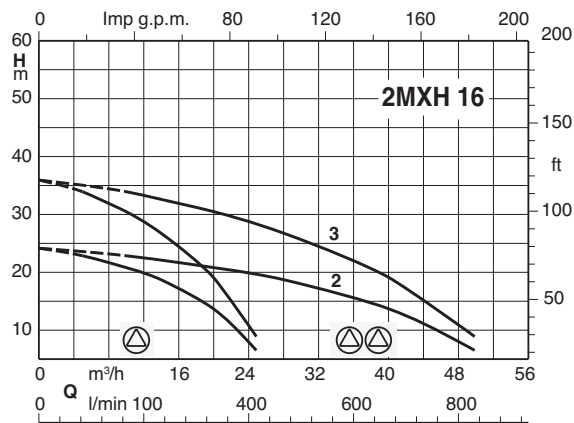
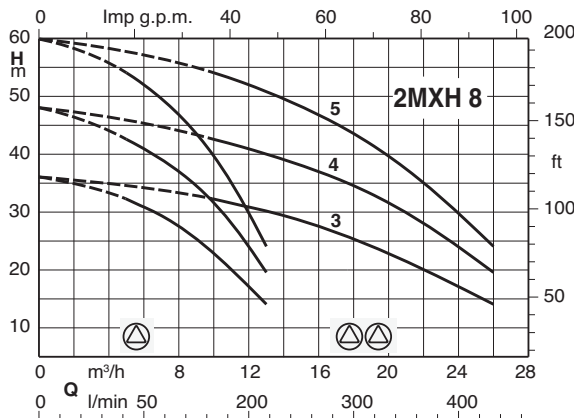
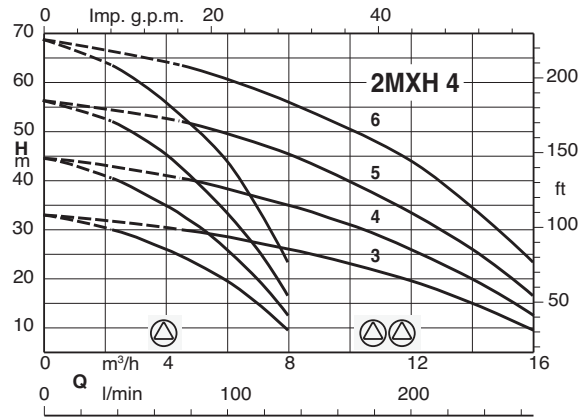
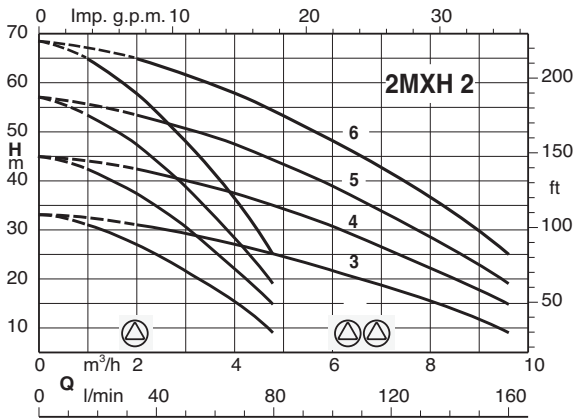


Characteristic and dimensions

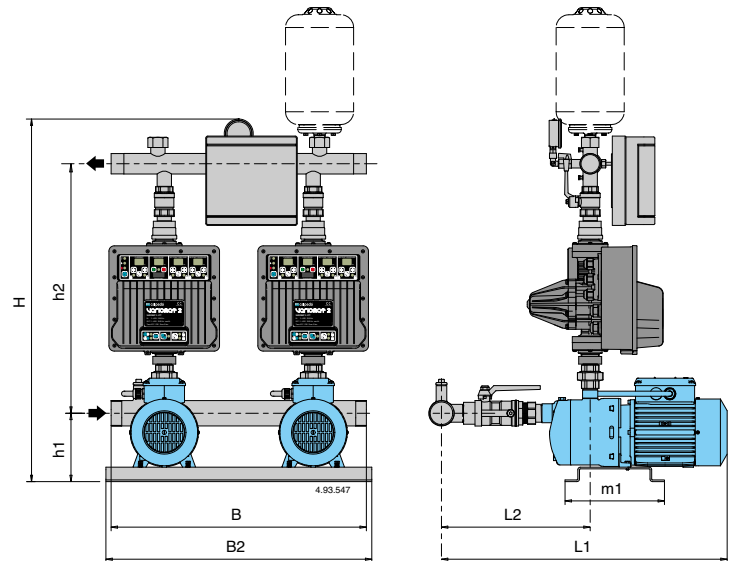


Mains: 3~ 400V Motor: 3~ 400V	P ₂			mm									
	A	kW	HP	DN1	DN2	H	h1	h2	L1	L2	m1	B	B2
BS1V 1MXH 203E-VTT2/A	1,4	0,45	0,6	G 1 1/4	G 1	722	127	548	545	305	28	260	210
BS1V 1MXH 204/A-VTT2/A	1,6	0,55	0,75						565	330			
BS1V 1MXH 205/B-VTT2/A	2	0,75	1						590	355			
BS1V 1MXH 206/C-VTT2/A	2,7	1,1	1,5						675	375			
BS1V 1MXH 403/A-VTT2/A	1,6	0,55	0,75	G 1 1/4	G 1	722	127	548	545	305	28	260	210
BS1V 1MXH 404/B-VTT2/A	2	0,75	1						565	330			
BS1V 1MXH 405/C-VTT2/A	2,7	1,1	1,5						615	375			
BS1V 1MXH 406/A-VTT2/A	3,7	1,5	2						675	375			
BS1V 1MXH 803/A-VTT2/A	2,9	1,1	1,5	G 1 1/2	G 1	722	127	548	675	350	31	260	210
BS1V 1MXH 804/A-VTT2/A	3,7	1,5	2						705	380			
BS1V 1MXH 805/B-VTT2/A	4,3	1,8	2,5						735	410			
BS1V 1MXH 1602/A-VTT2/A	3,7	1,5	2	G 2	G 1 1/2	715	117	537	746	410	31	260	210
BS1V 1MXH 1603/B-VTT2/A	4,3	1,8	2,5						746	410			

Coverage chart

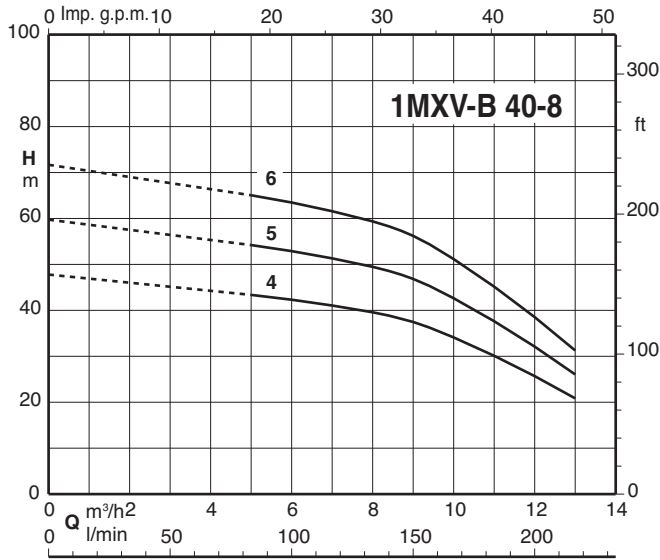
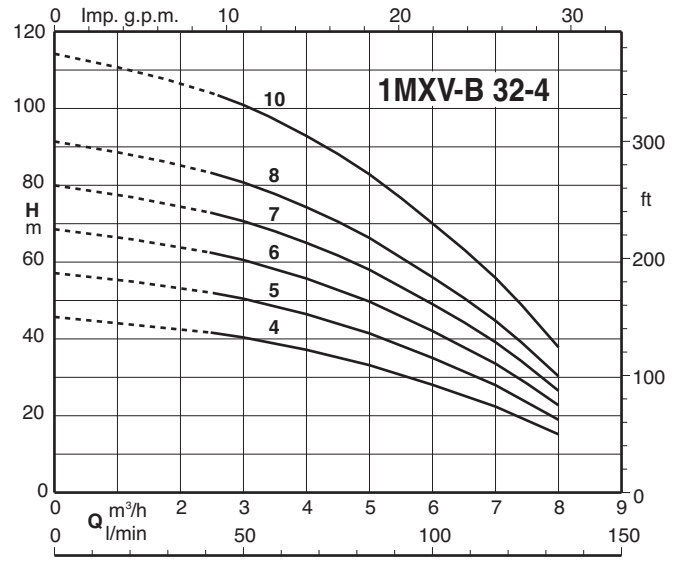
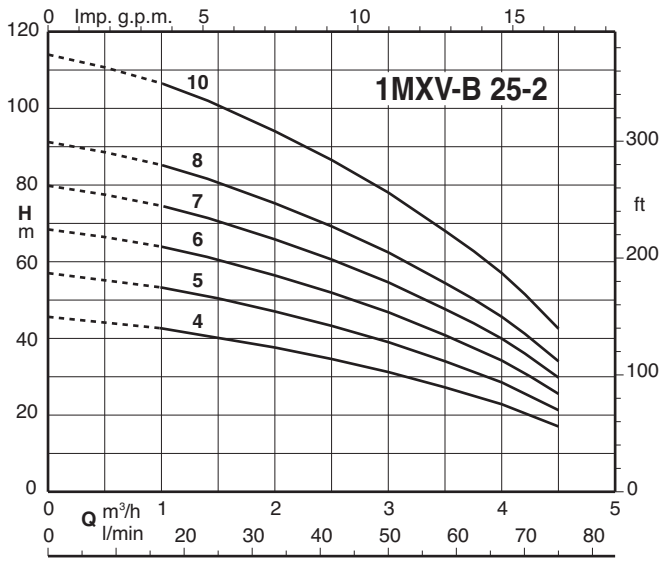


Characteristic and dimensions

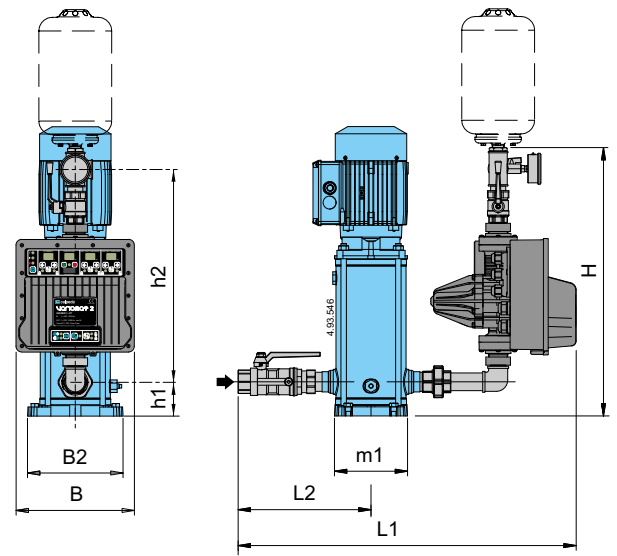


Mains: 3~ 400V Motor: 3~ 400V	A	P ₂		DN1	DN2	mm							
		kW	HP			H	h1	h2	L1	L2	m1	B	B2
BS2V 2MXH 203E-VTT2/A	2 x 1,4	2 x 0,45	2 x 0,6						570	330			
BS2V 2MXH 204/A-VTT2/A	2 x 1,6	2 x 0,55	2 x 0,75	G 2	G 1 1/2	858	162	557	620	355	234	600	625
BS2V 2MXH 205/B-VTT2/A	2 x 2	2 x 0,75	2 x 1						645	380			
BS2V 2MXH 206/C-VTT2/A	2 x 2,7	2 x 1,1	2 x 1,5						665	405			
BS2V 2MXH 403/A-VTT2/A	2 x 1,6	2 x 0,55	2 x 0,75						595	330			
BS2V 2MXH 404/B-VTT2/A	2 x 2	2 x 0,75	2 x 1	G 2	G 1 1/2	858	162	557	620	355	234	600	625
BS2V 2MXH 405/C-VTT2/A	2 x 2,7	2 x 1,1	2 x 1,5						645	380			
BS2V 2MXH 406/A-VTT2/A	2 x 3,7	2 x 1,5	2 x 2						725	405			
BS2V 2MXH 803/A-VTT2/A	2 x 2,9	2 x 1,1	2 x 1,5						750	430			
BS2V 2MXH 804/A-VTT2/A	2 x 3,7	2 x 1,5	2 x 2	G 2 1/2	G 2	864	162	563	780	460	234	600	625
BS2V 2MXH 805/B-VTT2/A	2 x 4,3	2 x 1,8	2 x 2,5						810	490			
BS2V 2MXH 1602/A-VTT2/A	2 x 3,7	2 x 1,5	2 x 2	G 3	G 2 1/2	830	152	679	830	495	234	600	625
BS2V 2MXH 1603/B-VTT2/A	2 x 4,3	2 x 1,8	2 x 2,5						830	495			

Coverage chart

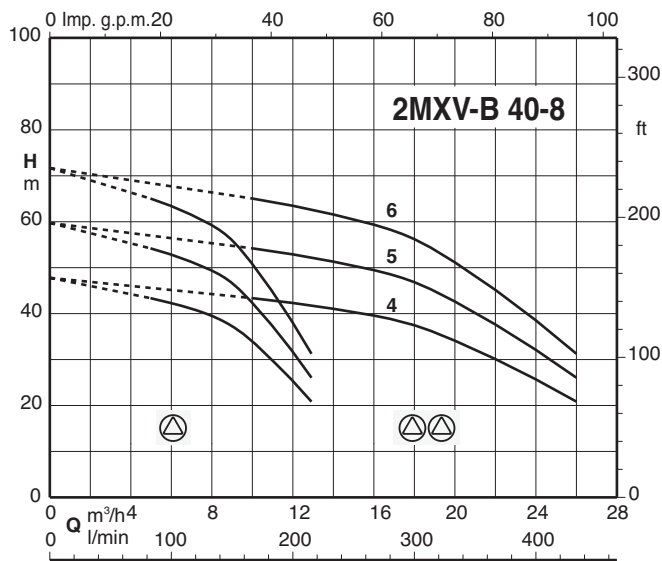
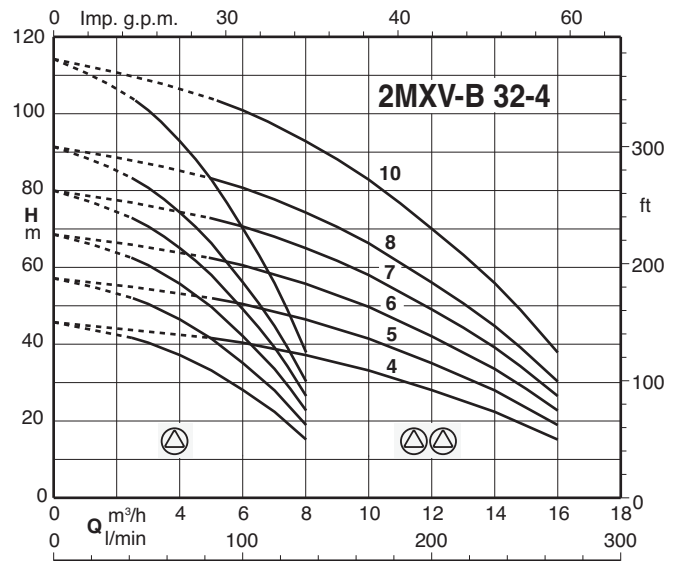
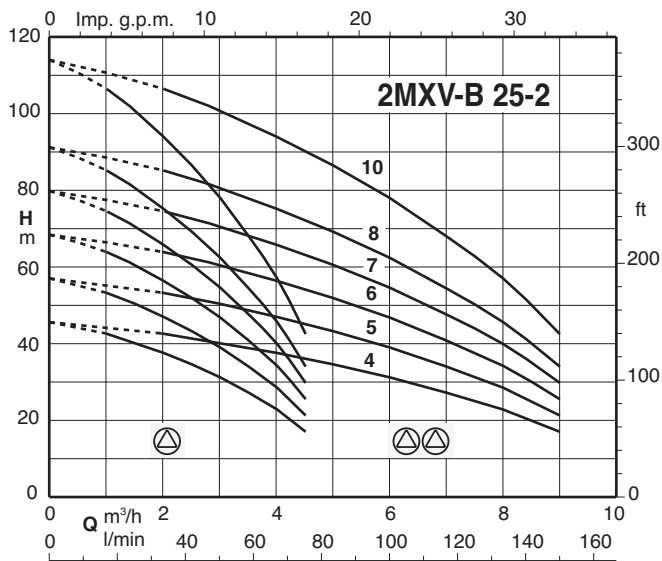


Characteristic and dimensions

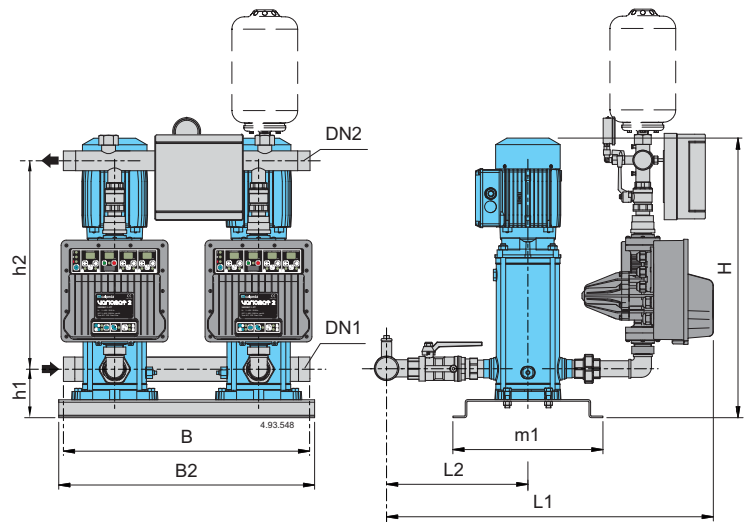


Mains: 3~ 400V Motor: 3~ 400V	A	P ₂		DN1	DN2	mm							
		kW	HP			H	h1	h2	L1	L2	m1	B	B2
BS1V 1MXV-B 25-204-VTT2/A	2,3	0,75	1	G 1	G 1	590	75	440	716	265	150	225	260
BS1V 1MXV-B 25-205-VTT2/A	2,3	0,75	1										
BS1V 1MXV-B 25-206/A-VTT2/A	2,9	1,1	1,5										
BS1V 1MXV-B 25-207/A-VTT2/A	2,9	1,1	1,5										
BS1V 1MXV-B 25-208/A-VTT2/A	4,3	1,5	2										
BS1V 1MXV-B 25-210/A-VTT2/A	4,3	1,5	2										
BS1V 1MXV-B 32-404/A-VTT2/A	2,9	1,1	1,5	G 1 1/4	G 1 1/4	585	75	460	761	295	150	225	260
BS1V 1MXV-B 32-405/A-VTT2/A	2,9	1,1	1,5										
BS1V 1MXV-B 32-406/A-VTT2/A	4,3	1,5	2										
BS1V 1MXV-B 32-407/A-VTT2/A	4,3	1,5	2										
BS1V 1MXV-B 32-408/B-VTT2/A	5,3	2,2	3										
BS1V 1MXV-B 32-410/B-VTT2/A	5,3	2,2	3										
BS1V 1MXV-B 40-804/A-VTT2/A	4,3	1,5	2	G 1 1/2	G 1 1/2	595	80	465	825	345	150	225	260
BS1V 1MXV-B 40-805/B-VTT2/A	5,3	2,2	3										
BS1V 1MXV-B 40-806/B-VTT2/A	5,3	2,2	3										

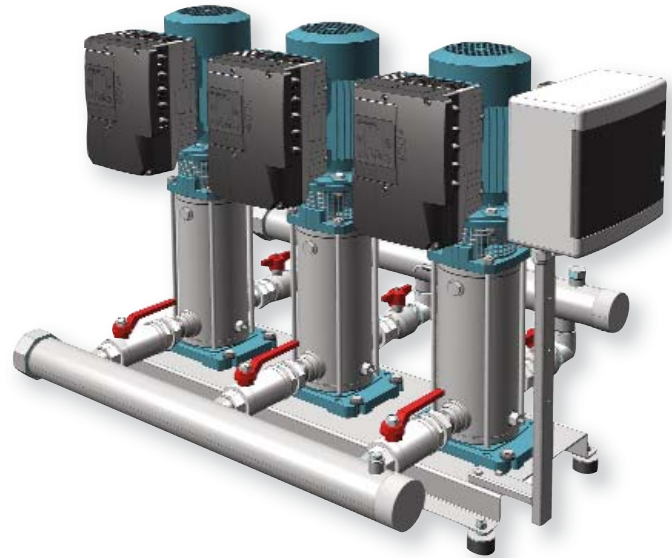
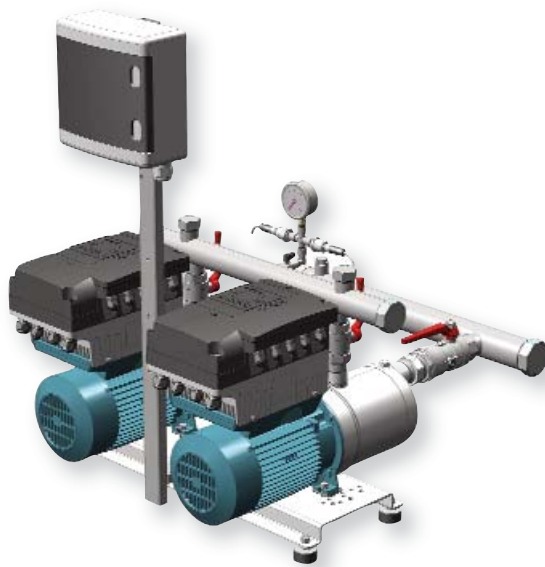
Coverage chart



Characteristic and dimensions



Mains: 3~ 400V Motor: 3~ 400V	A	P ₂		DN1	DN2	mm							
		kW	HP			H	h1	h2	L1	L2	m1	B	B2
BS2V 2MXV-B 25-204-VTT2/A	2 x 2,3	2 x 0,75	2 x 1	G 1 1/2	G 1 1/2	850	119	740	674	315	365	600	625
BS2V 2MXV-B 25-205-VTT2/A	2 x 2,3	2 x 0,75	2 x 1										
BS2V 2MXV-B 25-206/A-VTT2/A	2 x 2,9	2 x 1,1	2 x 1,5										
BS2V 2MXV-B 25-207/A-VTT2/A	2 x 2,9	2 x 1,1	2 x 1,5										
BS2V 2MXV-B 25-208/A-VTT2/A	2 x 4,3	2 x 1,5	2 x 2										
BS2V 2MXV-B 25-210/A-VTT2/A	2 x 4,3	2 x 1,5	2 x 2										
BS2V 2MXV-B 32-404/A-VTT2/A	2 x 2,9	2 x 1,1	2 x 1,5	G 2	G 2	850	119	740	644	345	365	600	625
BS2V 2MXV-B 32-405/A-VTT2/A	2 x 2,9	2 x 1,1	2 x 1,5										
BS2V 2MXV-B 32-406/A-VTT2/A	2 x 4,3	2 x 1,5	2 x 2										
BS2V 2MXV-B 32-407/A-VTT2/A	2 x 4,3	2 x 1,5	2 x 2										
BS2V 2MXV-B 32-408/B-VTT2/A	2 x 5,3	2 x 2,2	2 x 3										
BS2V 2MXV-B 32-410/B-VTT2/A	2 x 5,3	2 x 2,2	2 x 3										
BS2V 2MXV-B 40-804/A-VTT2/A	2 x 4,3	2 x 1,5	2 x 2	G 2 1/2	G 2 1/2	850	124	740	709	425	365	600	625
BS2V 2MXV-B 40-805/B-VTT2/A	2 x 5,3	2 x 2,2	2 x 3										
BS2V 2MXV-B 40-806/B-VTT2/A	2 x 5,3	2 x 2,2	2 x 3										



Operation

BS2-3V Pressure boosting sets with 2 to 3 variable speed pumps (with EASYMAT).

Depending on water consumption, one or more pumps are activated, all at variable speed, in order to guarantee the quantity of water required at the set pressure.

Operation

CONSTANT PRESSURE MODE:



the system keeps the pressure constant when the quantity of water requested by the user changes.



FIXED SPEED MODE:

the system works at a fixed speed that user can choose according to his need.

Execution

Constant pressure boosting sets with I-MAT frequency converter made of 2 to 3 pumps, ball valve and non return valve on suction side, ball valve and pressure gauge on delivery side.

Suction and delivery manifolds in stainless steel AISI 304.

Suitable for installation of a 8-lt cylindrical pressure vessel on delivery side.

I-MAT device:

Frequency converter installed on the motor with self cooling system.

Possibility to display:

- Pressure of the system
- Working frequency
- Absorbed current
- Alarms

Applications

For drawing water out of a well

As pressure boosting pump for central water systems with low pressure (follow local specifications if increasing network pressure)

Motors

2-pole induction motors, 50Hz, $n \approx 2900$ rpm, suitable for operation with frequency converter

- Three-phase 400V +/-10%

Class F insulation

IP 54 protection

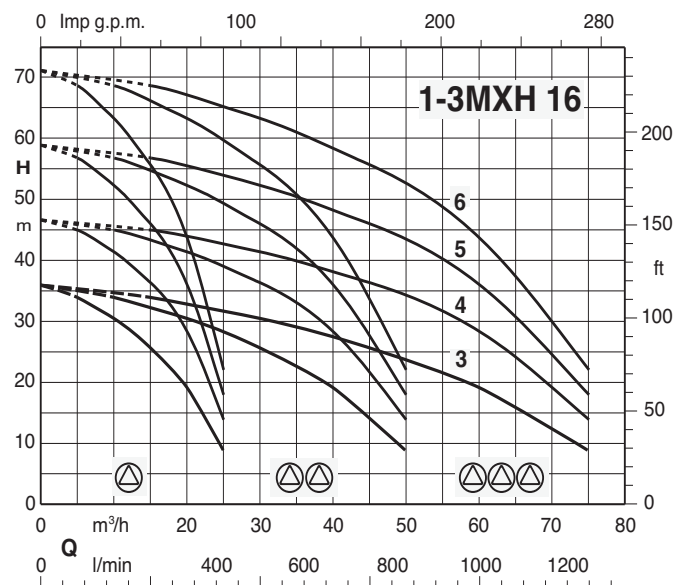
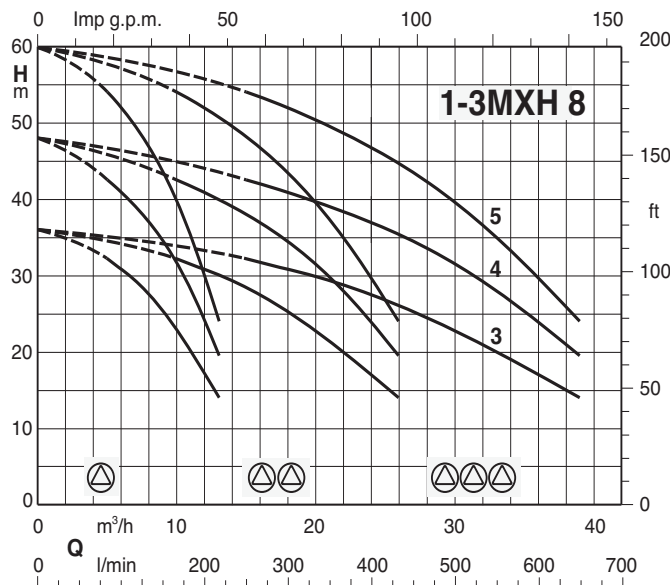
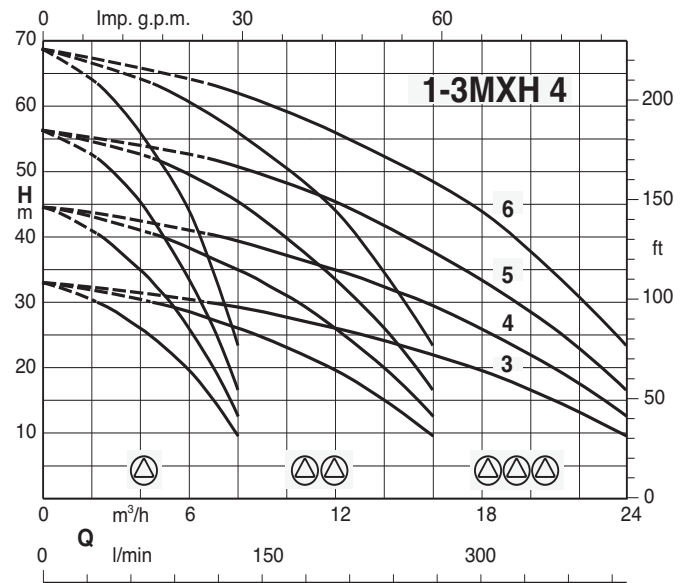
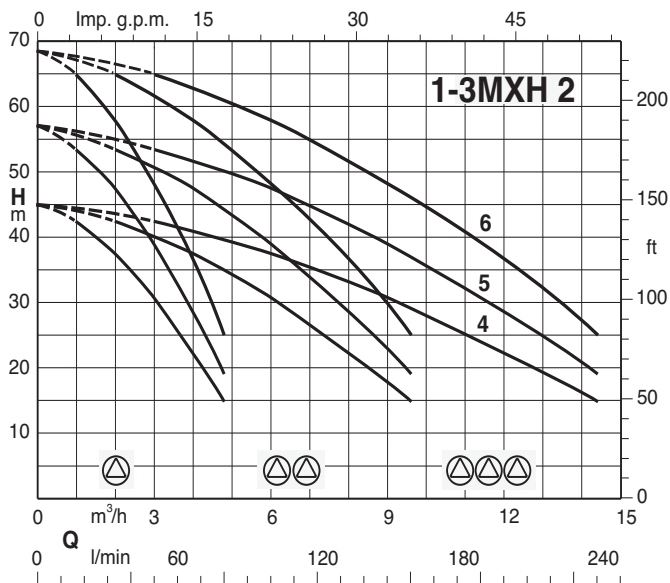
Execution according IEC 60034

Other voltages on demand

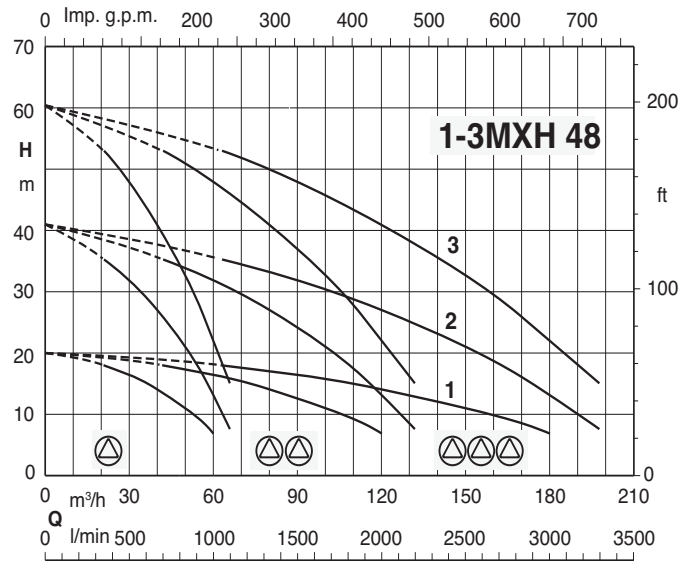
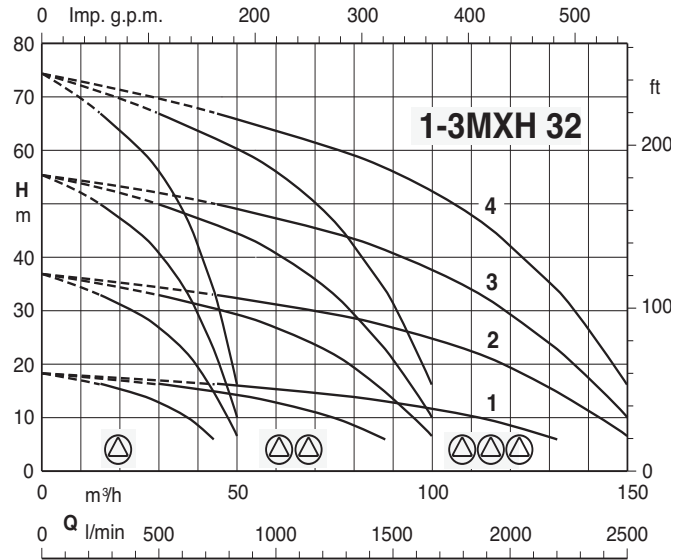
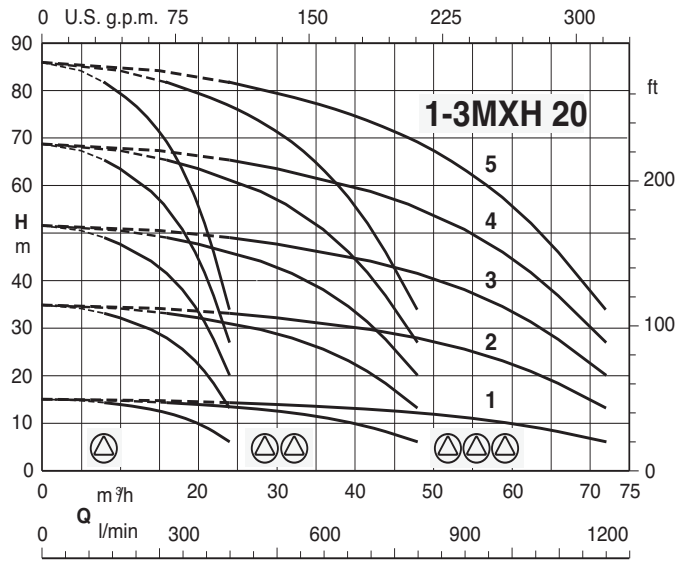
Pressure vessels (on demand)

Cylindrical with capacity 8 liters, membrane type, air precharged

Coverage chart



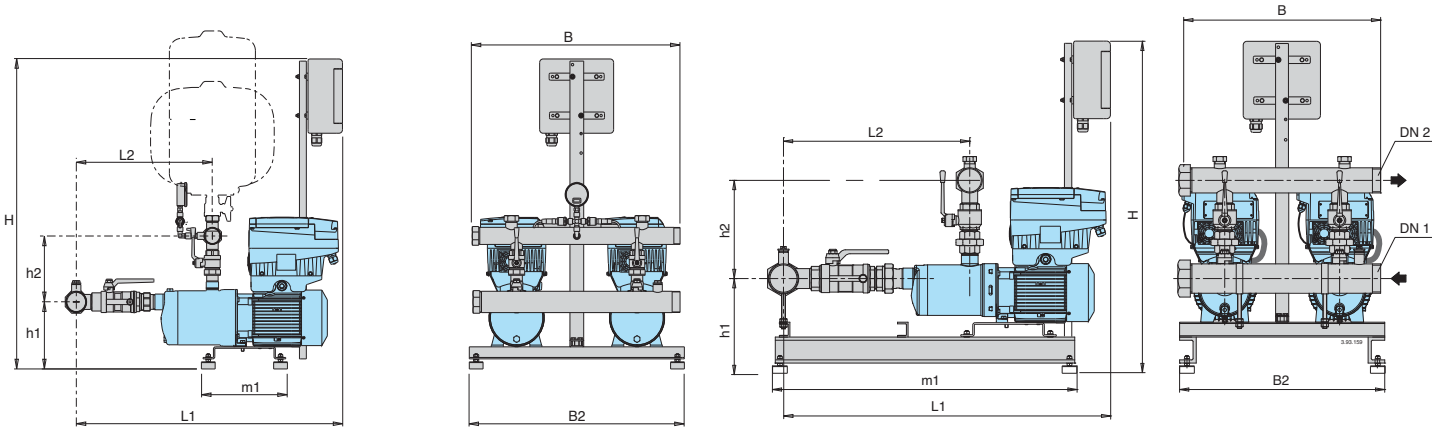
Coverage chart



Dimensions and weights

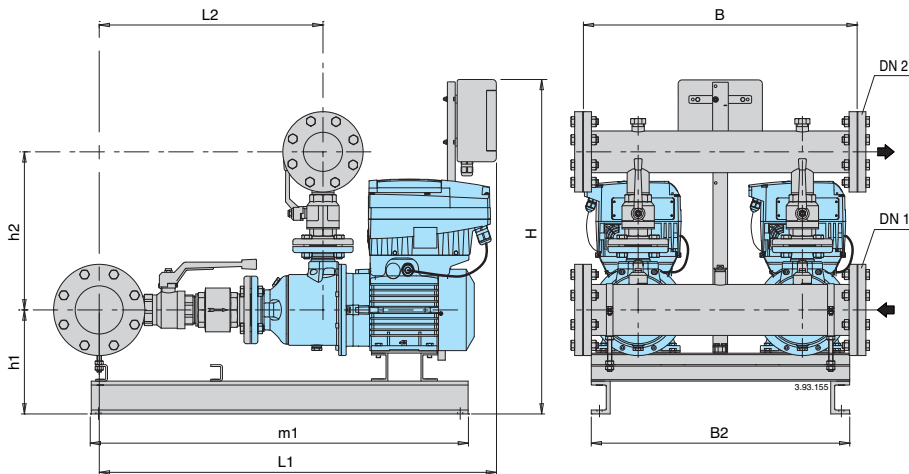
BS.. 2MXH 2,4,8

BS.. 2MXH 16



TYPE	Motor			Connection		mm								weight kg
	kW	HP	A	DN 1	DN 2	H	h1	h2	L1	L2	m1	B2	B	
BS2V 2MXH 204/A-ITT	0,55 x2	0,75 x2	1,6 x2	G 2	G 1 1/2	876	190	187	725	347	250	625	600	47
BS2V 2MXH 205/B-ITT	0,75 x2	1 x2	2 x2	G 2	G 1 1/2	876	190	187	749	371				50
BS2V 2MXH 206/C-ITT	1,1 x2	1,5 x2	2,7 x2	G 2	G 1 1/2	876	190	187	773	395				54
BS2V 2MXH 403/A-ITT	0,55 x2	0,75 x2	1,6 x2	G 2	G 1 1/2	876	190	187	701	323				46
BS2V 2MXH 404/B-ITT	0,75 x2	1 x2	2 x2	G 2	G 1 1/2	876	190	187	725	347				49
BS2V 2MXH 405/C-ITT	1,1 x2	1,5 x2	2,7 x2	G 2	G 1 1/2	876	190	187	749	371				53
BS2V 2MXH 406/A-ITT	1,5 x2	2 x2	3,6 x2	G 2	G 1 1/2	876	190	187	773	295				57
BS2V 2MXH 803/A-ITT	1,1 x2	1,5 x2	2,7 x2	G 2 1/2	G 2	876	190	193	764	386				61
BS2V 2MXH 804/A-ITT	1,5 x2	2 x2	3,6 x2	G 2 1/2	G 2	876	190	193	794	416				66
BS2V 2MXH 805/B-ITT	1,8 x2	2,5 x2	4,3 x2	G 2 1/2	G 2	876	190	193	830	446				68
BS2V 2MXH 1603/B-ITT	1,8 x2	2,5 x2	4,3 x2	G 3	G 2 1/2	926	257	284	877	486	870	625	600	87
BS2V 2MXH 1604/A-ITT	3 x2	4 x2	6,6 x2	G 3	G 2 1/2	926	257	284	970	524				114
BS2V 2MXH 1605/B-ITT	3,7 x2	5 x2	9,6 x2	G 3	G 2 1/2	926	257	284	1008	561				122
BS2V 2MXH 1606/B-ITT	4 x2	5,5 x2	9,6 x2	G 3	G 2 1/2	926	257	284	1045	599				124

Dimensions not binding to be verified when ordering



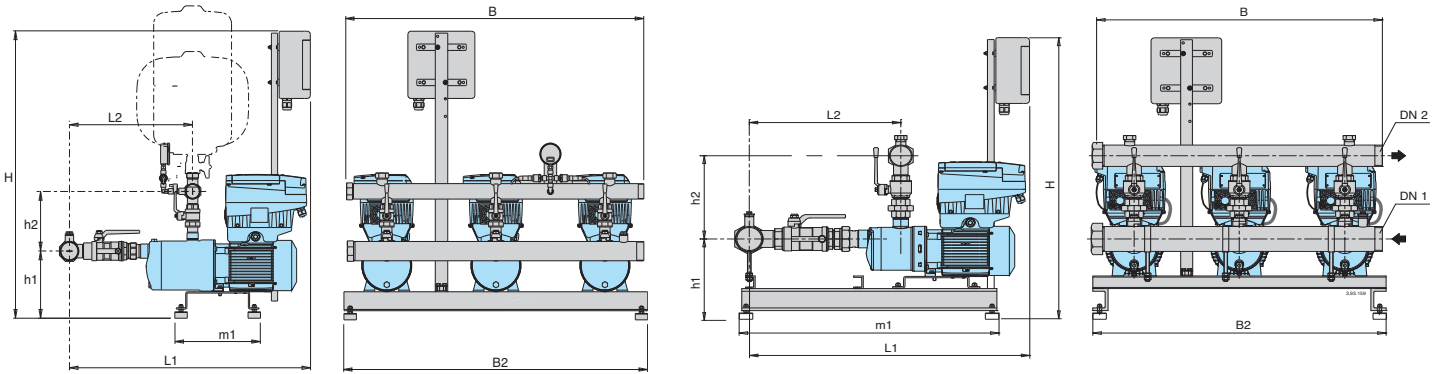
TYPE	Motor			Connection		mm								weight kg
	kW	HP	A	DN 1	DN 2	H	h1	h2	L1	L2	m1	B2	B	
BS2V 2MXH 2001/A-ITT	1,1 x2	1,5 x2	2,7 x2	G 3	G 2 1/2	926	215	354	977	485	870	625	600	
BS2V 2MXH 2002/A-ITT	2,2 x2	3 x2	5,3 x2	G 3	G 2 1/2	926	215	354	977	485	870			
BS2V 2MXH 2003-ITT	3 x2	4 x2	6,6 x2	G 3	G 2 1/2	926	225	354	1013	504	870			
BS2V 2MXH 2004/A-ITT	4 x2	5,5 x2	9,6 x2	G 3	G 2 1/2	926	225	354	1048	539	870			
BS2V 2MXH 2005-ITT	5,5 x2	7,5 x2	10,9 x2	G 3	G 2 1/2	926	247	354	1091	573	870			
BS2V 2MXH-F 3201/B-ITT	2,2 x2	3 x2	5,3 x2	100	80	1100	306	429	1164	593	990	750	750	
BS2V 2MXH-F 3202/B-ITT	4 x2	5,5 x2	9,6 x2	100	80	1180	298	429	1180	593	1010			214
BS2V 2MXH-F 3203/A-ITT	5,5 x2	7,5 x2	10,9 x2	100	80	1180	298	429	1274	640	1065			243
BS2V 2MXH-F 3204/A-ITT	7,5 x2	10 x2	14,3 x2	100	80	1180	298	429	1320	685	1110			260
BS2V 2MXH-F 4801/A-ITT	3 x2	4 x2	6,6 x2	125	100	1198	298	468	1250	654	1010			
BS2V 2MXH-F 4802/A-ITT	5,5 x2	7,5 x2	10,9 x2	125	100	1198	298	468	1306	654	1065			268
BS2V 2MXH-F 4803/A-ITT	7,5 x2	10 x2	14,3 x2	125	100	1198	298	468	1367	716	1110	286		

Dimensions not binding to be verified when ordering

Dimensions and weights

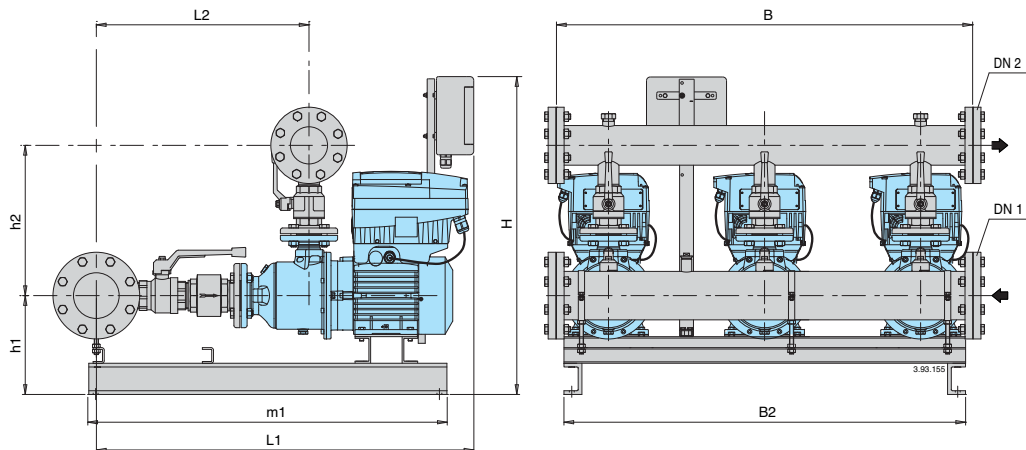
BS.. 3MXH 2,4,8

BS.. 3MXH 16



TYPE	Motor			Connection		mm							weight kg	
	kW	HP	A	DN 1	DN 2	H	h1	h2	L1	L2	m1	B2		B
BS3V 3MXH 204/A-ITT	0,55 x3	0,75 x3	1,6 x3	G 2 1/2	G 2	913	227	193	857	356				
BS3V 3MXH 205/B-ITT	0,75 x3	1 x3	2 x3	G 2 1/2	G 2	913	227	193	881	380				
BS3V 3MXH 206/C-ITT	1,1 x3	1,5 x3	2,7 x3	G 2 1/2	G 2	913	227	193	905	404				
BS3V 3MXH 403/A-ITT	0,55 x3	0,75 x3	1,6 x3	G 2 1/2	G 2	913	227	193	833	332				
BS3V 3MXH 404/B-ITT	0,75 x3	1 x3	2 x3	G 2 1/2	G 2	913	227	193	857	356				
BS3V 3MXH 405/C-ITT	1,1 x3	1,5 x3	2,7 x3	G 2 1/2	G 2	913	227	193	881	390	423	1000	950	
BS3V 3MXH 406/A-ITT	1,5 x3	2 x3	3,6 x3	G 2 1/2	G 2	913	227	193	905	404				
BS3V 3MXH 803/A-ITT	1,1 x3	1,5 x3	2,7 x3	G 3	G 2 1/2	913	227	193	905	404				
BS3V 3MXH 804/A-ITT	1,5 x3	2 x3	3,6 x3	G 3	G 2 1/2	913	227	193	933	432				
BS3V 3MXH 805/B-ITT	1,8 x3	2,5 x3	4,3 x3	G 3	G 2 1/2	913	227	193	950	449				
BS3V 3MXH 1603/B-ITT	1,8 x3	2,5 x3	4,3 x3	DN 100	DN 80	963	227	321	857	500				
BS3V 3MXH 1604/A-ITT	3 x3	4 x3	6,6 x3	DN 100	DN 80	963	227	321	1008	538	810	1000	950	
BS3V 3MXH 1605/B-ITT	3,7 x3	5 x3	9,6 x3	DN 100	DN 80	963	227	321	1045	575				
BS3V 3MXH 1606/B-ITT	4 x3	5,5 x3	9,6 x3	DN 100	DN 80	963	227	321	1083	613				

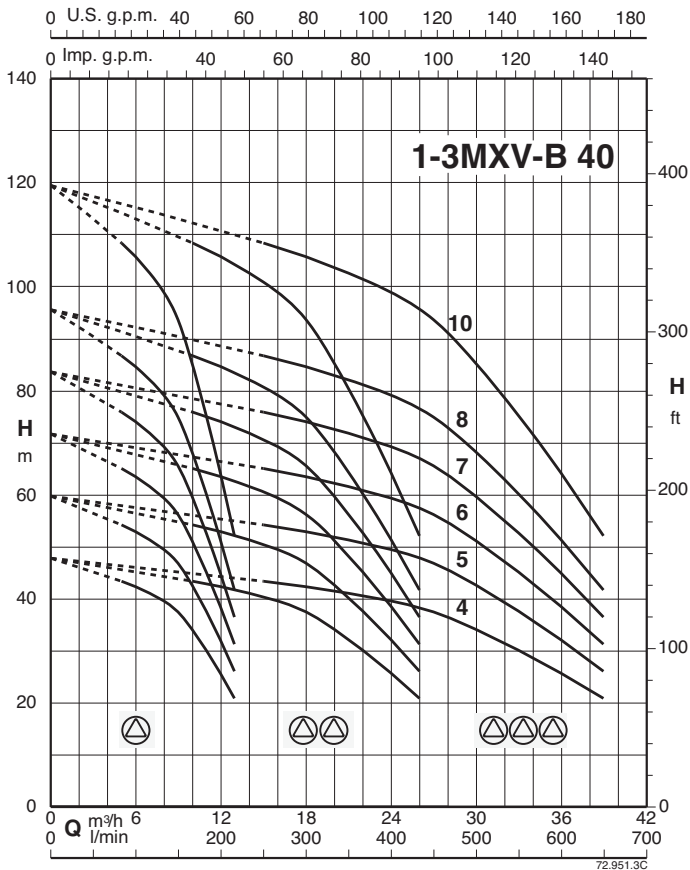
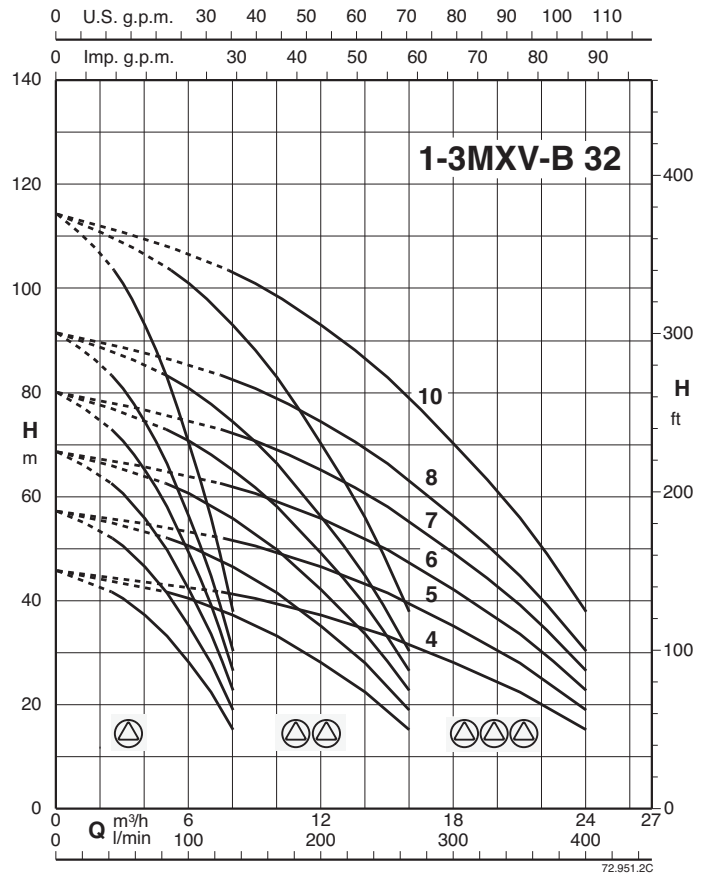
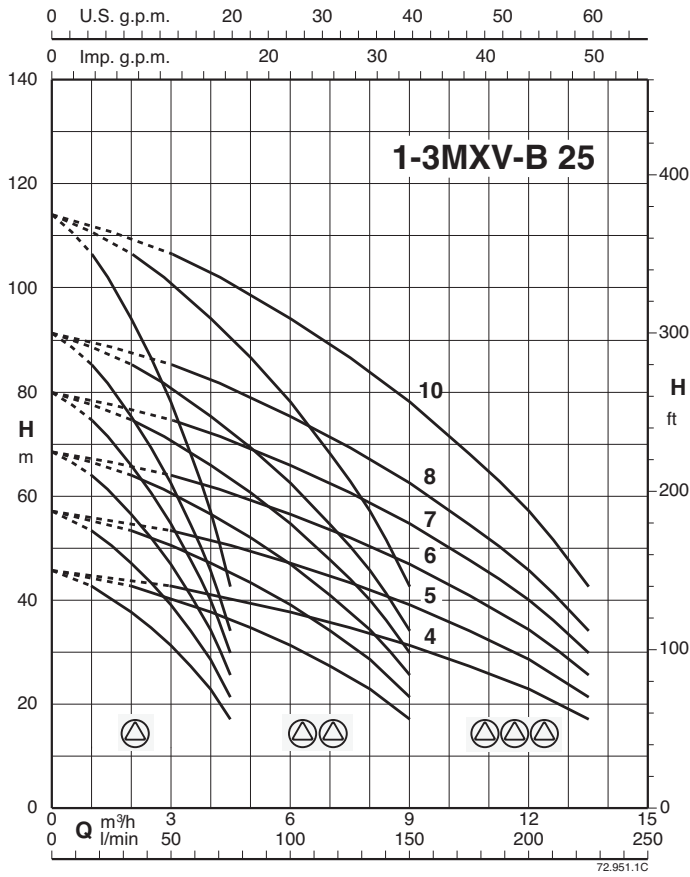
Dimensions not binding to be verified when ordering



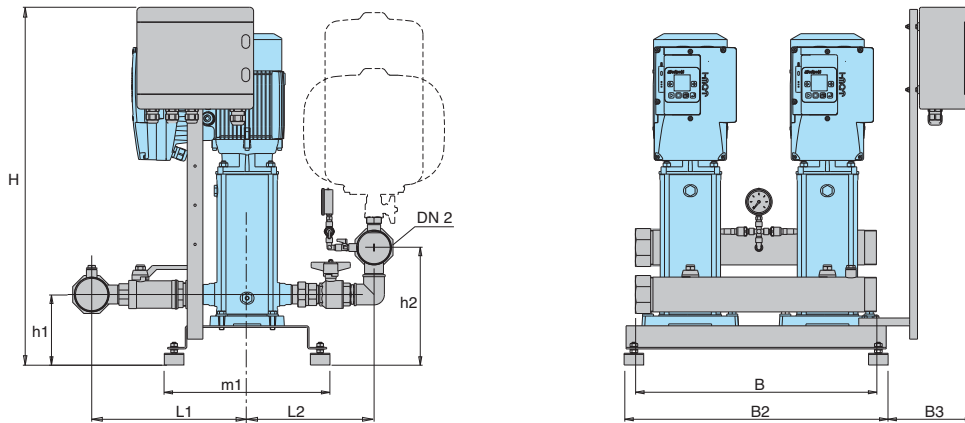
TYPE	Motor			Connection		mm							weight kg	
	kW	HP	A	DN 1	DN 2	H	h1	h2	L1	L2	m1	B2		B
BS3V 3MXH 2001/A-ITT	1,1 x3	1,5 x3	2,7 x3	100	80	963	215	391	991	499	810			
BS3V 3MXH 2002/A-ITT	2,2 x3	3 x3	5,3 x3	100	80	963	215	391	991	499	810			
BS3V 3MXH 2003-ITT	3 x3	4 x3	6,6 x3	100	80	963	225	391	1027	518	810	1000	950	
BS3V 3MXH 2004/A-ITT	4 x3	5,5 x3	9,6 x3	100	80	963	225	391	1062	553	810			
BS3V 3MXH 2005-ITT	5,5 x3	7,5 x3	10,9 x3	100	80	963	247	391	1105	587	995			
BS3V 3MXH-F 3201/B-ITT	2,2 x3	3 x3	5,3 x3	125	100	1100	306	442	1164	593	1010			
BS3V 3MXH-F 3202/B-ITT	4 x3	5,5 x3	9,6 x3	125	100	1180	298	442	1180	593	1065			
BS3V 3MXH-F 3203/A-ITT	5,5 x3	7,5 x3	10,9 x3	125	100	1180	298	442	1274	630	1065			
BS3V 3MXH-F 3204/A-ITT	7,5 x3	10 x3	14,3 x3	125	100	1180	298	442	1320	685	1110	1200	1200	
BS3V 3MXH-F 4801/A-ITT	3 x3	4 x3	6,6 x3	150	125	1198	316	480	1272	668	1010			
BS3V 3MXH-F 4802/A-ITT	5,5 x3	7,5 x3	10,9 x3	150	125	1198	316	480	1320	668	1065			
BS3V 3MXH-F 4803/A-ITT	7,5 x3	10 x3	14,3 x3	150	125	1198	316	480	1381	750	1110			

Dimensions not binding to be verified when ordering

Coverage chart

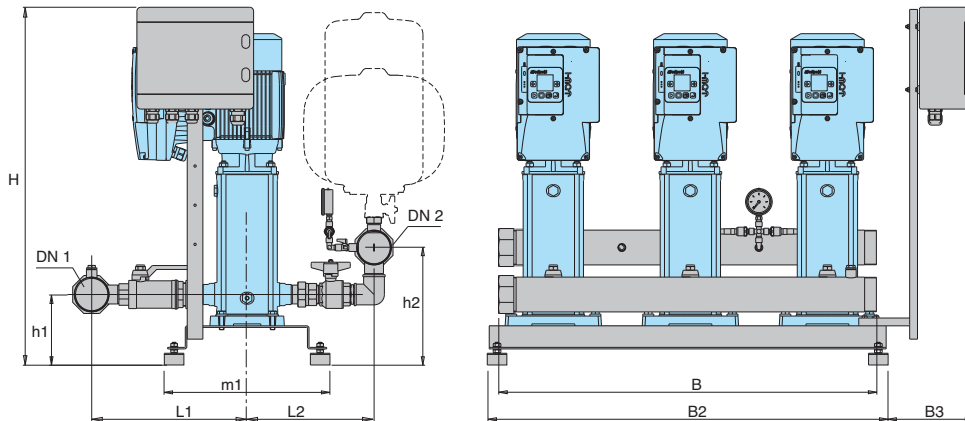


Dimensions and weights



TYPE	Motor			Connection		mm									weight kg
	kW	HP	A	DN 1	DN 2	H	h1	h2	L1	L2	m1	B	B2	B3	
BS2V 2MXV-B 25-203-ITT	0,75 x2	1 x2	1,9 x2	G 1 1/2	G 1 1/2	887	148	224	336	287	332	600	625	185	105
BS2V 2MXV-B 25-204-ITT	0,75 x2	1 x2	1,9 x2												107
BS2V 2MXV-B 25-205-ITT	0,75 x2	1 x2	1,9 x2												109
BS2V 2MXV-B 25-206/A-ITT	1,1 x2	1,5 x2	2,7 x2												111
BS2V 2MXV-B 25-207/A-ITT	1,1 x2	1,5 x2	2,7 x2												118
BS2V 2MXV-B 25-208/A-ITT	1,5 x2	2 x2	4,3 x2												
BS2V 2MXV-B 25-210/A-ITT	1,5 x2	2 x2	4,3 x2	G 2	G 2	887	148	239	336	287	332	600	625	185	108
BS2V 2MXV-B 32-403-ITT	0,75 x2	1 x2	1,9 x2												111
BS2V 2MXV-B 32-404/A-ITT	1,1 x2	1,5 x2	2,7 x2												115
BS2V 2MXV-B 32-406/A-ITT	1,5 x2	2 x2	4,3 x2												118
BS2V 2MXV-B 32-407/A-ITT	1,5 x2	2 x2	4,3 x2												121
BS2V 2MXV-B 32-408/B-ITT	2,2 x2	3 x2	5,3 x2												121
BS2V 2MXV-B 32-410/B-ITT	2,2 x2	3 x2	5,3 x2	G 2 1/2	G 2 1/2	887	153	266	391	324	332	600	625	185	116
BS2V 2MXV-B 40-803/A-ITT	1,1 x2	1,5 x2	2,7 x2												119
BS2V 2MXV-B 40-804/A-ITT	1,5 x2	2 x2	4,3 x2												121
BS2V 2MXV-B 40-805/B-ITT	2,2 x2	3 x2	5,3 x2												143
BS2V 2MXV-B 40-806/B-ITT	2,2 x2	3 x2	5,3 x2												145
BS2V 2MXV-B 40-807/A-ITT	3 x2	4 x2	6,6 x2												
BS2V 2MXV-B 40-808/A-ITT	3 x2	4 x2	6,6 x2												
BS2V 2MXV-B 40-810/B-ITT	3,7 x2	5 x2	9,6 x2												

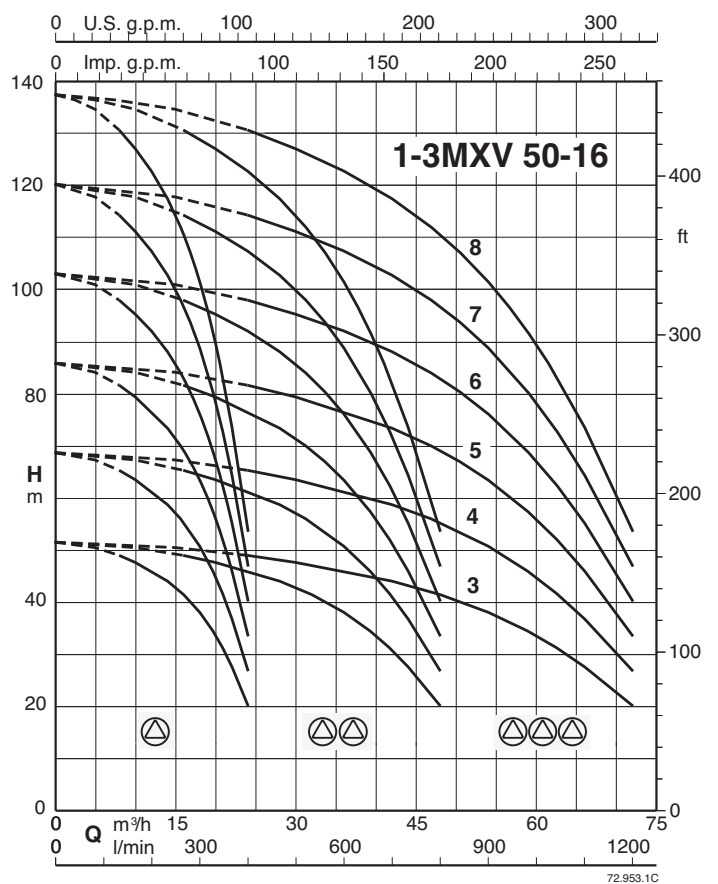
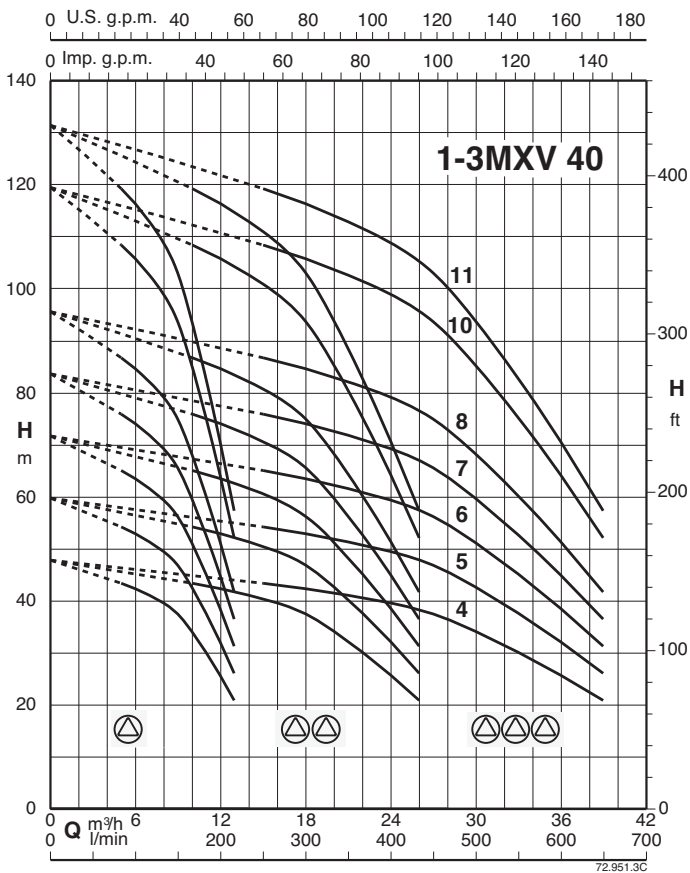
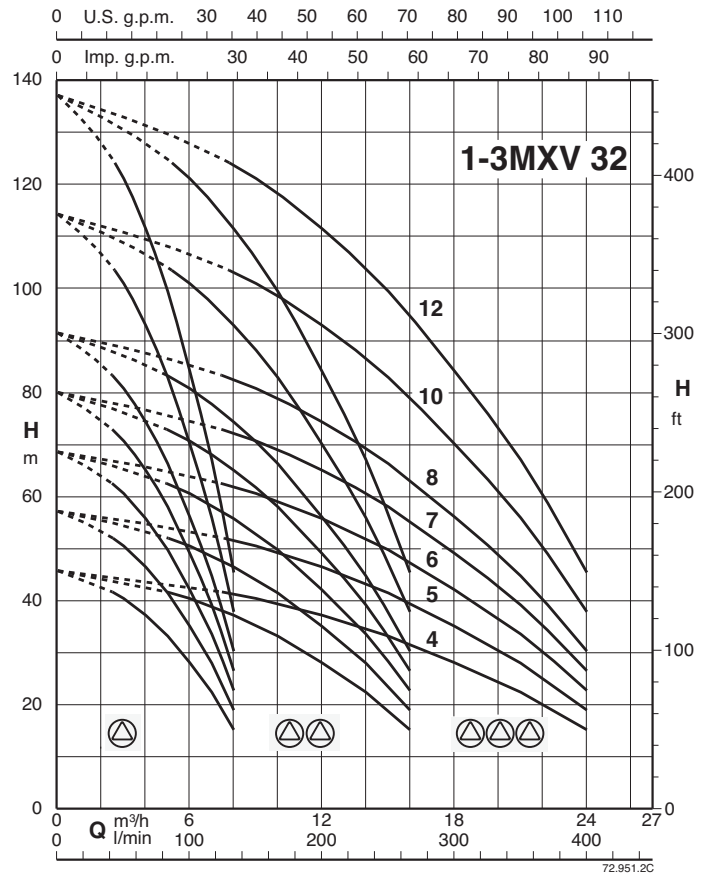
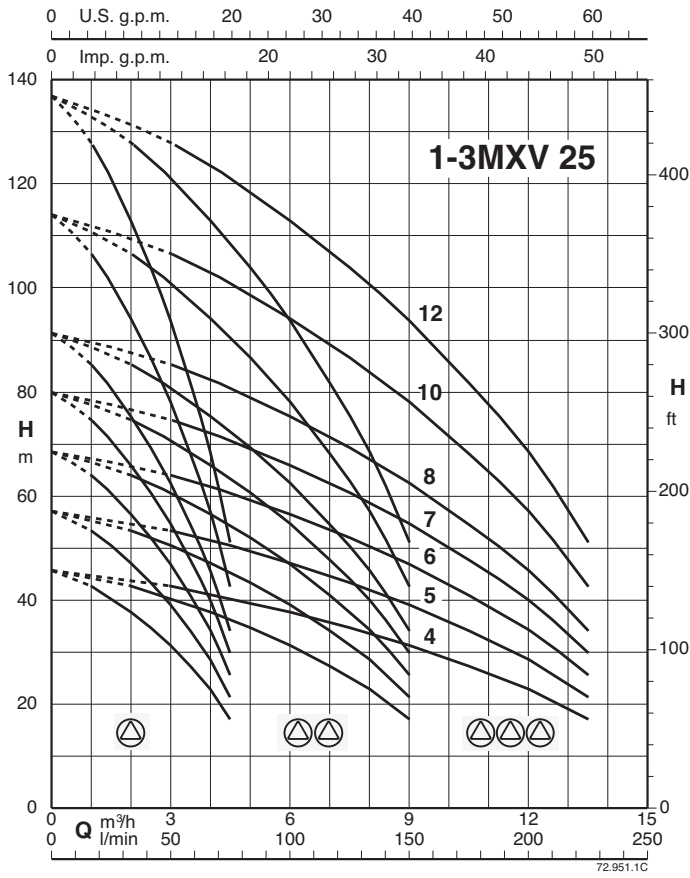
Dimensions not binding to be verified when ordering



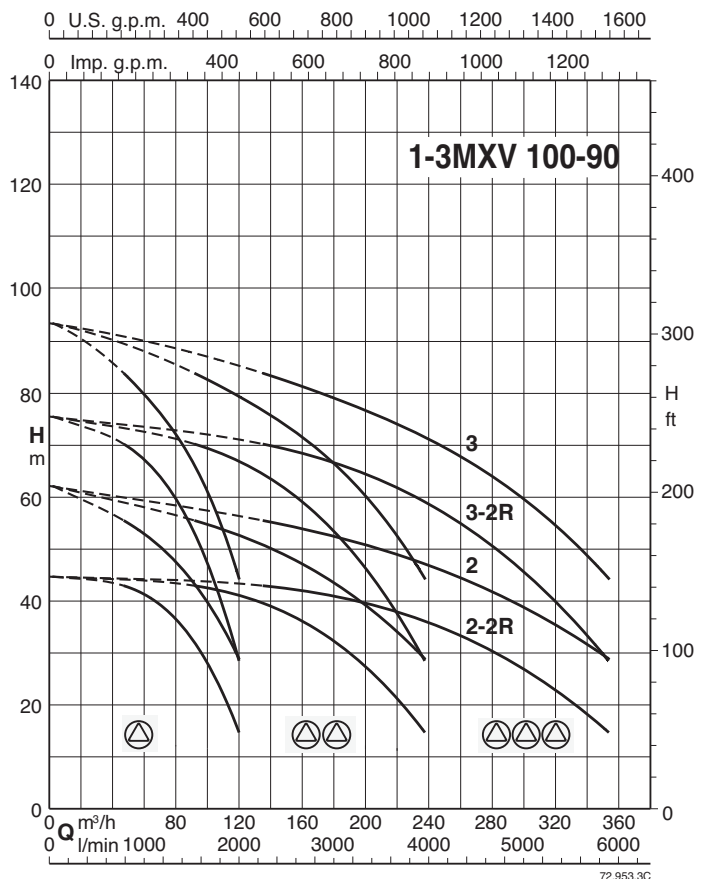
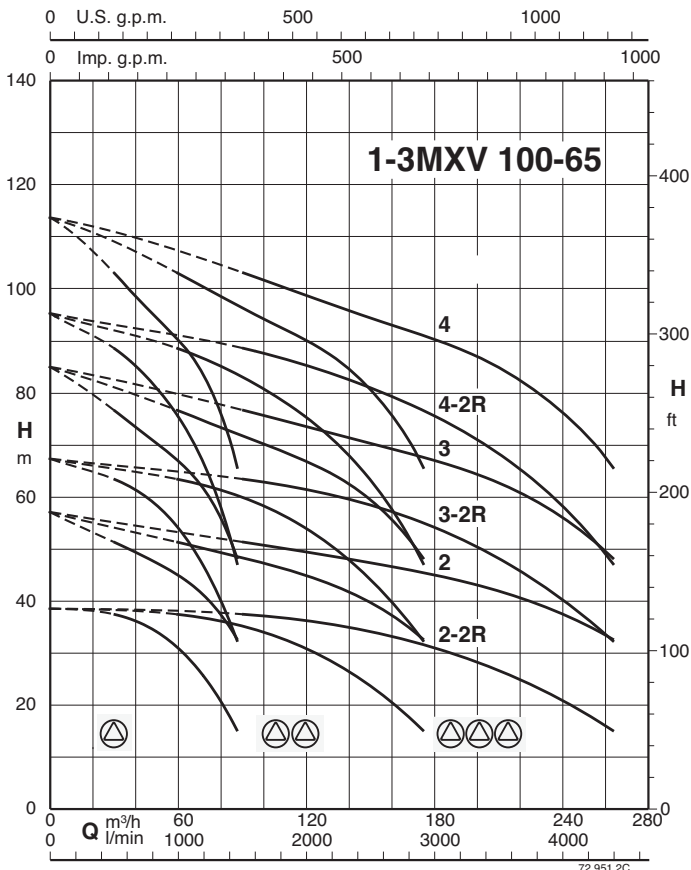
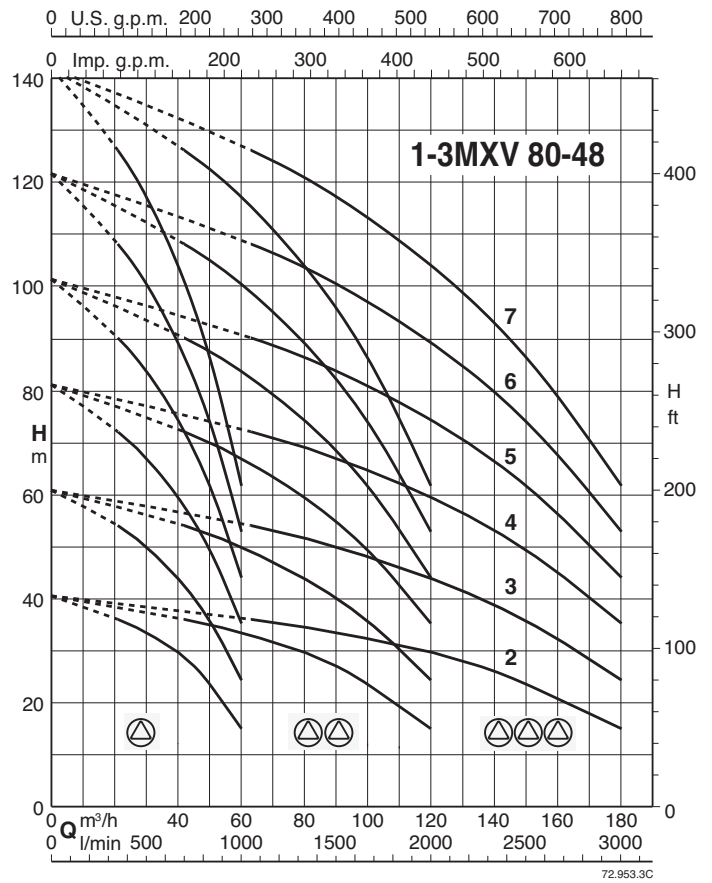
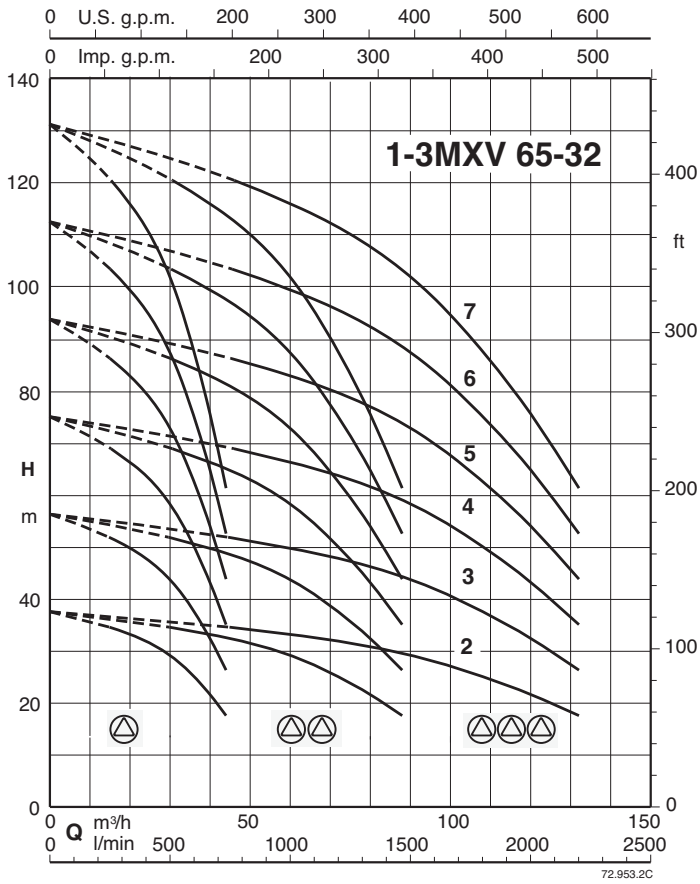
TYPE	Motor			Connection		mm									weight kg
	kW	HP	A	DN 1	DN 2	H	h1	h2	L1	L2	m1	B	B2	B3	
BS3V 3MXV-B 25-203-ITT	0,75 x3	1 x3	1,9 x3	G 2	G 2	914	175	257	311,5	305,5	373	950	1010	225	105
BS3V 3MXV-B 25-204-ITT	0,75 x3	1 x3	1,9 x3												107
BS3V 3MXV-B 25-205-ITT	0,75 x3	1 x3	1,9 x3												109
BS3V 3MXV-B 25-206/A-ITT	1,1 x3	1,5 x3	2,7 x3												111
BS3V 3MXV-B 25-207/A-ITT	1,1 x3	1,5 x3	2,7 x3												118
BS3V 3MXV-B 25-208/A-ITT	1,5 x3	2 x3	4,3 x3												
BS3V 3MXV-B 25-210/A-ITT	1,5 x3	2 x3	4,3 x3	G 2 1/2	G 2 1/2	914	175	275	344,5	287,5	373	950	1010	225	108
BS3V 3MXV-B 32-403-ITT	0,75 x3	1 x3	1,9 x3												111
BS3V 3MXV-B 32-404/A-ITT	1,1 x3	1,5 x3	2,7 x3												115
BS3V 3MXV-B 32-405/A-ITT	1,1 x3	1,5 x3	2,7 x3												118
BS3V 3MXV-B 32-406/A-ITT	1,5 x3	2 x3	4,3 x3												121
BS3V 3MXV-B 32-407/A-ITT	1,5 x3	2 x3	4,3 x3												
BS3V 3MXV-B 32-408/B-ITT	2,2 x3	3 x3	5,3 x3	G 3	G 3	914	180	300	402,5	329,5	373	950	1010	225	116
BS3V 3MXV-B 32-410/B-ITT	2,2 x3	3 x3	5,3 x3												119
BS3V 3MXV-B 40-803/A-ITT	1,1 x3	1,5 x3	2,7 x3												121
BS3V 3MXV-B 40-804/A-ITT	1,5 x3	2 x3	4,3 x3												143
BS3V 3MXV-B 40-805/B-ITT	2,2 x3	3 x3	5,3 x3												145
BS3V 3MXV-B 40-806/B-ITT	2,2 x3	3 x3	5,3 x3												
BS3V 3MXV-B 40-807/A-ITT	3 x3	4 x3	6,6 x3												
BS3V 3MXV-B 40-808/A-ITT	3 x3	4 x3	6,6 x3												
BS3V 3MXV-B 40-810/B-ITT	3,7 x3	5 x3	9,6 x3												

Dimensions not binding to be verified when ordering

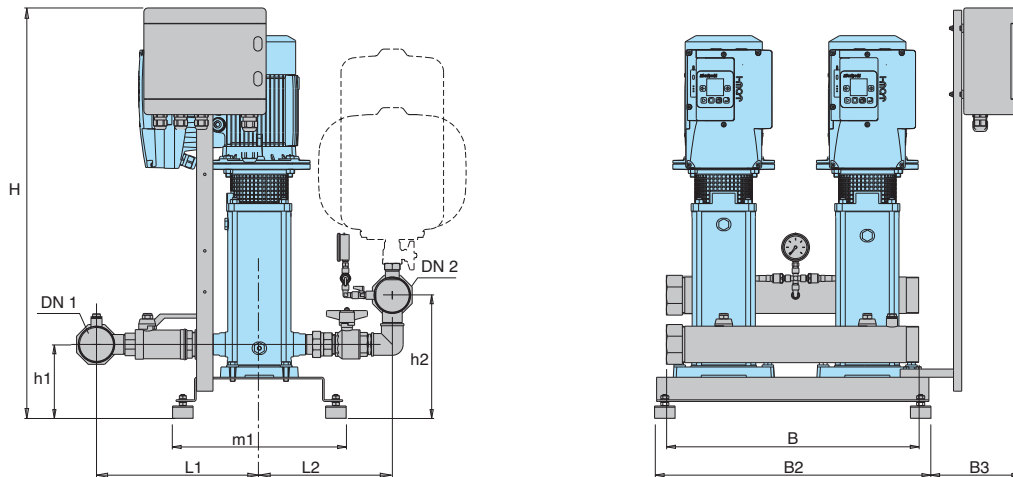
Coverage chart



Coverage chart



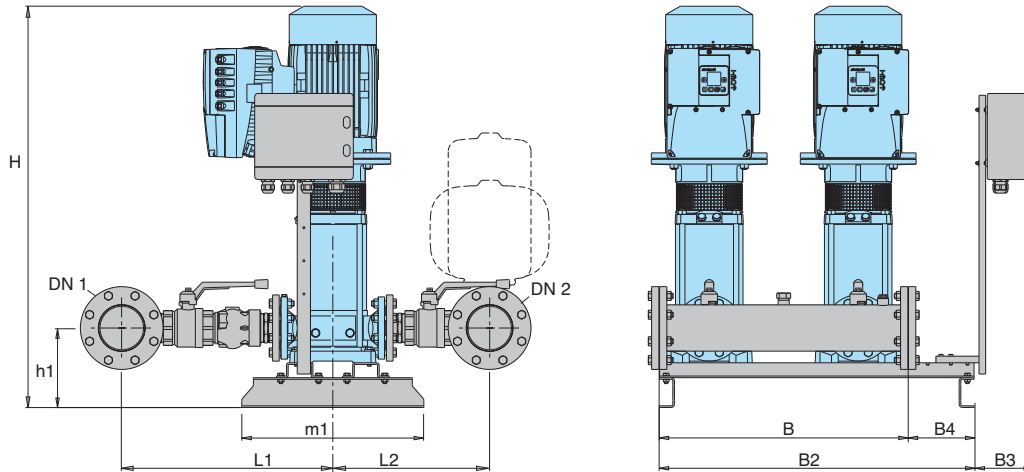
Dimensions and weights



TYPE	Motor			Connection		mm									weight kg
	kW	HP	A	DN 1	DN 2	H	h1	h2	L1	L2	m1	B	B2	B3	
BS2V 2MXV 25-204/C-ITT	0,75 x2	1 x2	1,9 x2	G 1 1/2	G 1 1/2	887	148	224	336	287	332	600	625	185	105
BS2V 2MXV 25-205/C-ITT	0,75 x2	1 x2	1,9 x2												107
BS2V 2MXV 25-206/D-ITT	1,1 x2	1,5 x2	2,7 x2												109
BS2V 2MXV 25-207/D-ITT	1,1 x2	1,5 x2	2,7 x2												111
BS2V 2MXV 25-208/D-ITT	1,5 x2	2 x2	4,3 x2												118
BS2V 2MXV 25-210/D-ITT	1,5 x2	2 x2	4,3 x2												
BS2V 2MXV 25-212/D-ITT	2,2 x2	3 x2	5,3 x2	G 2	G 2	887	148	239	336	287	332	600	625	185	108
BS2V 2MXV 32-404/D-ITT	1,1 x2	1,5 x2	2,7 x2												111
BS2V 2MXV 32-405/D-ITT	1,1 x2	1,5 x2	2,7 x2												115
BS2V 2MXV 32-406/D-ITT	1,5 x2	2 x2	4,3 x2												118
BS2V 2MXV 32-407/D-ITT	1,5 x2	2 x2	4,3 x2												121
BS2V 2MXV 32-408/D-ITT	2,2 x2	3 x2	5,3 x2												
BS2V 2MXV 32-410/D-ITT	2,2 x2	3 x2	5,3 x2	G 2 1/2	G 2 1/2	887	153	266	391	324	332	600	625	185	116
BS2V 2MXV 32-412/C-ITT	3 x2	4 x2	6,6 x2												119
BS2V 2MXV 40-804/D-ITT	1,5 x2	2 x2	4,3 x2												121
BS2V 2MXV 40-805/D-ITT	2,2 x2	3 x2	5,3 x2												143
BS2V 2MXV 40-806/D-ITT	2,2 x2	3 x2	5,3 x2												145
BS2V 2MXV 40-807/C-ITT	3 x2	4 x2	6,6 x2												
BS2V 2MXV 40-808/C-ITT	3 x2	4 x2	6,6 x2												
BS2V 2MXV 40-810/D-ITT	4 x2	5,5 x2	9,6 x2												
BS2V 2MXV 40-811/D-ITT	4 x2	5,5 x2	9,6 x2												

Dimensions not binding to be verified when ordering

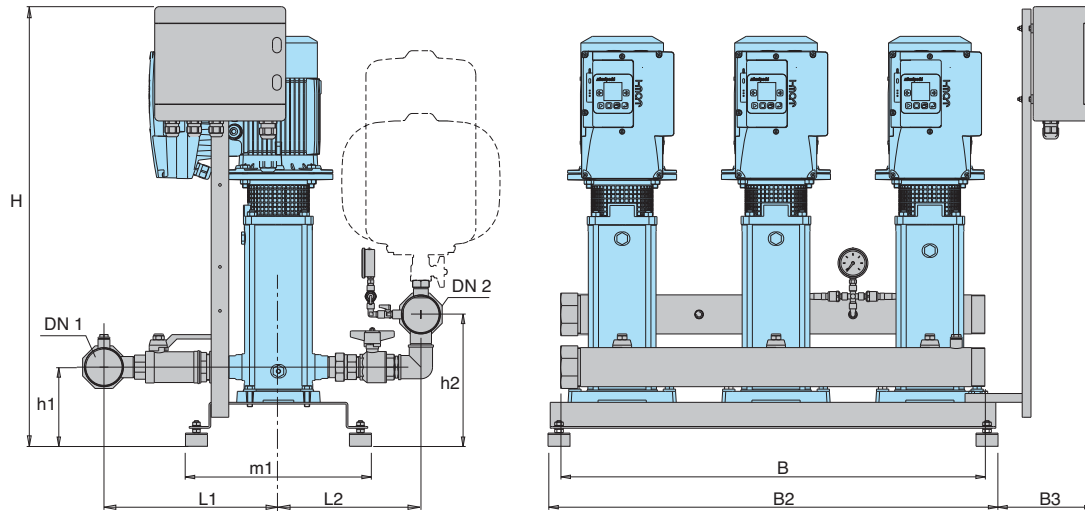
Dimensions and weights



TYPE	Motor			Connection		mm										weight kg
	kW	HP	A	DN 1	DN 2	H	h1	L1	L2	m1	B	B2	B3	B4		
BS2V 2MXV 50-1603/C-ITT	3 x2	4 x2	6,6 x2	G 3	G 3	841	225	455	355	550	700	950	160	200	-	
BS2V 2MXV 50-1604/D-ITT	4 x2	5,5 x2	9,6 x2			876										
BS2V 2MXV 50-1605/C-ITT	5,5 x2	7,5 x2	10,9 x2			958										
BS2V 2MXV 50-1606/C-ITT	5,5 x2	7,5 x2	10,9 x2			1027										
BS2V 2MXV 50-1607/C-ITT	7,5 x2	10 x2	14,3 x2			1027										
BS2V 2MXV 50-1608/C-ITT	7,5 x2	10 x2	14,3 x2	1062												
BS2V 2MXV 65-3202/D-ITT	4 x2	5,5 x2	9,6 x2	100	100	853	240	560	425	550	750	950	160	200	-	
BS2V 2MXV 65-3203/C-ITT	5,5 x2	7,5 x2	10,9 x2			947										
BS2V 2MXV 65-3204/C-ITT	7,5 x2	10 x2	14,3 x2			993										
BS2V 2MXV 65-3205/D-ITT	11 x2	15 x2	21,5 x2			1189										
BS2V 2MXV 65-3206/D-ITT	11 x2	15 x2	21,5 x2			1235										
BS2V 2MXV 65-3207/D-ITT	15 x2	20 x2	27,3 x 2	1281												
BS2V 2MXV 80-4801/D-ITT	4 x2	5,5 x2	9,6 x2	125	125	857	240	640	500	550	750	950	160	200	-	
BS2V 2MXV 80-4802/C-ITT	5,5 x2	7,5 x2	10,9 x2			940										
BS2V 2MXV 80-4803/C-ITT	7,5 x2	10 x2	14,3 x2			1001										
BS2V 2MXV 80-4804/D-ITT	11 x2	15 x2	21,5 x2			1212										
BS2V 2MXV 80-4805/D-ITT	15 x2	20x2	27,3 x 2			*										
BS2V 2MXV 80-4806/D-ITT	15 x2	20x2	27,3 x 2	*												
BS2V 2MXV 80-4807/D-ITT	18,5 x2	25x2	34 x 2	*												
BS2V 2MXV 100-6501-ITT	5,5 x2	7,5 x2	10,9 x2	150	150	*	*	*	*	550	950	*	*	*	-	
BS2V 2MXV 100-6502-2R-ITT	7,5 x2	10 x2	14,3 x2			*										
BS2V 2MXV 100-6502-ITT	11 x2	15 x2	21,5 x2			*										
BS2V 2MXV 100-6503-2R-ITT	15 x2	20 x2	27,3 x 2			*										
BS2V 2MXV 100-6503-ITT	18,5 x2	25 x2	34 x 2			*										
BS2V 2MXV 100-6504-2R-ITT	18,5 x2	25 x2	34 x 2	*												
BS2V 2MXV 100-6504-ITT	22 x2	30 x2	41 x 2	*												
BS2V 2MXV 100-9001-1R-ITT	5,5 x2	7,5 x2	10,9 x2	200	200	*	*	*	*	550	950	*	*	*	-	
BS2V 2MXV 100-9001-ITT	7,5 x2	10 x2	14,3 x2			*										
BS2V 2MXV 100-9002-2R-ITT	11 x2	15 x2	21,5 x2			*										
BS2V 2MXV 100-9002-ITT	15 x2	20 x2	27,3 x 2			*										
BS2V 2MXV 100-9003-2R-ITT	18,5 x2	25 x2	34 x 2			*										
BS2V 2MXV 100-9003-ITT	22 x2	30 x2	41 x 2	*												

Dimensions not binding to be verified when ordering

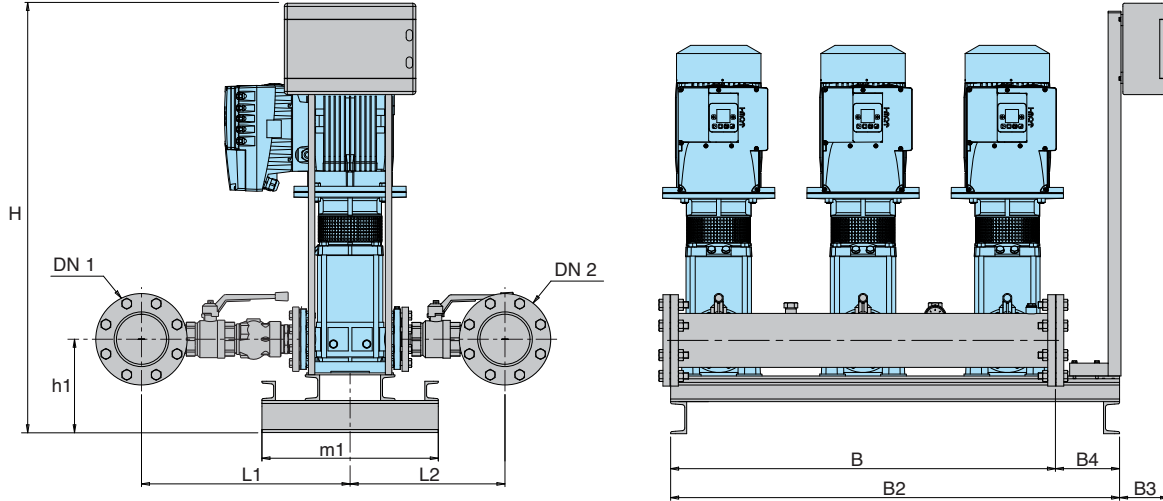
Dimensions and weights



TYPE	Motor			Connection		mm									weight kg
	kW	HP	A	DN 1	DN 2	H	h1	h2	L1	L2	m1	B	B2	B3	
BS3V 3MXV 25-204/C-ITT	0,75 x3	1 x3	1,9 x3	G 2	G 2	914	175	257	311,5	305,5	373	950	1010	225	105
BS3V 3MXV 25-205/C-ITT	0,75 x3	1 x3	1,9 x3												
BS3V 3MXV 25-206/D-ITT	1,1 x3	1,5 x3	2,7 x3												
BS3V 3MXV 25-207/D-ITT	1,1 x3	1,5 x3	2,7 x3												
BS3V 3MXV 25-208/D-ITT	1,5 x3	2 x3	4,3 x3												
BS3V 3MXV 25-210/D-ITT	1,5 x3	2 x3	4,3 x3												
BS3V 3MXV 25-212/D-ITT	2,2 x3	3 x3	5,3 x3	G 2 1/2	G 2 1/2	914	175	275	344,5	287,5	373	950	1010	225	109
BS3V 3MXV 32-404/D-ITT	1,1 x3	1,5 x3	2,7 x3												
BS3V 3MXV 32-405/D-ITT	1,1 x3	1,5 x3	2,7 x3												
BS3V 3MXV 32-406/D-ITT	1,5 x3	2 x3	4,3 x3												
BS3V 3MXV 32-407/D-ITT	1,5 x3	2 x3	4,3 x3												
BS3V 3MXV 32-408/D-ITT	2,2 x3	3 x3	5,3 x3												
BS3V 3MXV 32-410/D-ITT	2,2 x3	3 x3	5,3 x3	G 3	G 3	914	180	300	402,5	329,5	373	950	1010	225	111
BS3V 3MXV 32-412/C-ITT	3 x3	4 x3	6,6 x3												
BS3V 3MXV 40-804/D-ITT	1,5 x3	2 x3	4,3 x3												
BS3V 3MXV 40-805/D-ITT	2,2 x3	3 x3	5,3 x3												
BS3V 3MXV 40-806/D-ITT	2,2 x3	3 x3	5,3 x3												
BS3V 3MXV 40-807/C-ITT	3 x3	4 x3	6,6 x3												
BS3V 3MXV 40-808/C-ITT	3 x3	4 x3	6,6 x3	G 3	G 3	914	180	300	402,5	329,5	373	950	1010	225	118
BS3V 3MXV 40-810/D-ITT	4 x3	5,5 x3	9,6 x3												
BS3V 3MXV 40-811/D-ITT	4 x3	5,5 x3	9,6 x3												

Dimensions not binding to be verified when ordering * Dimensions on request

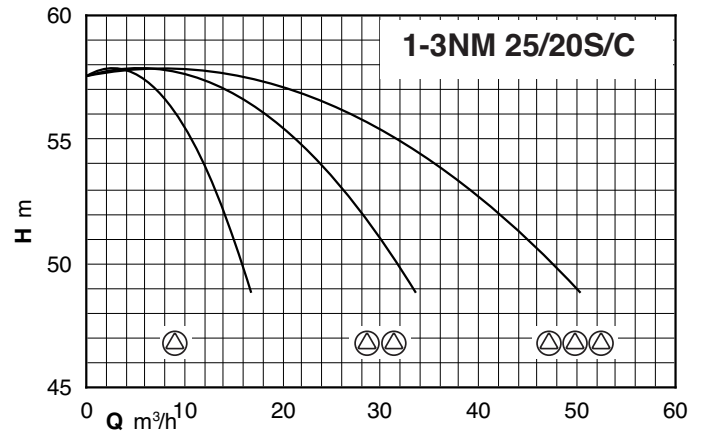
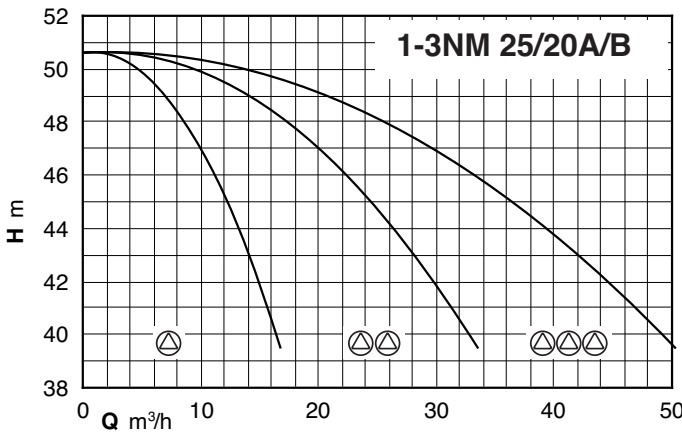
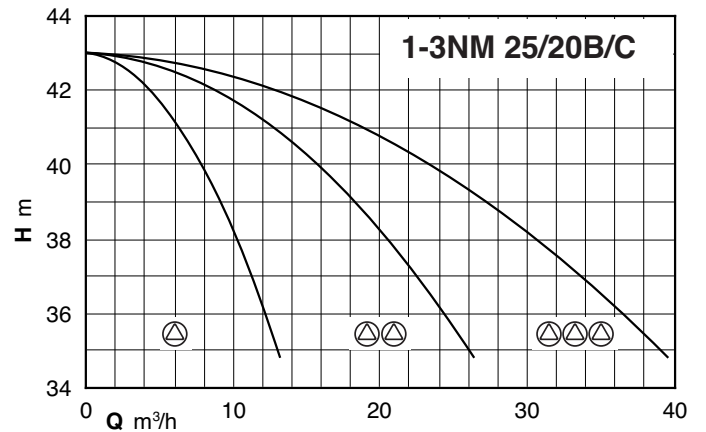
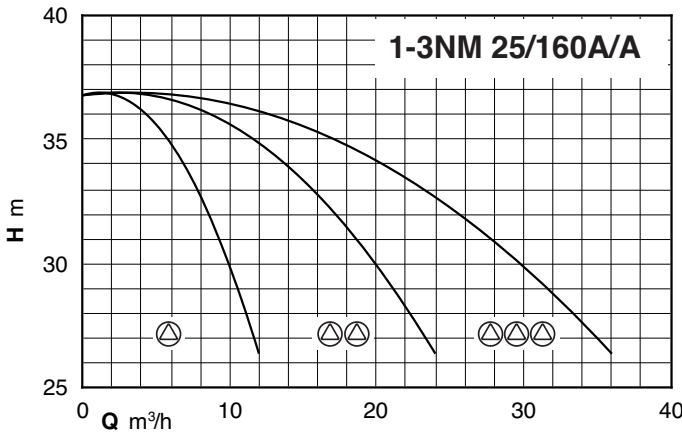
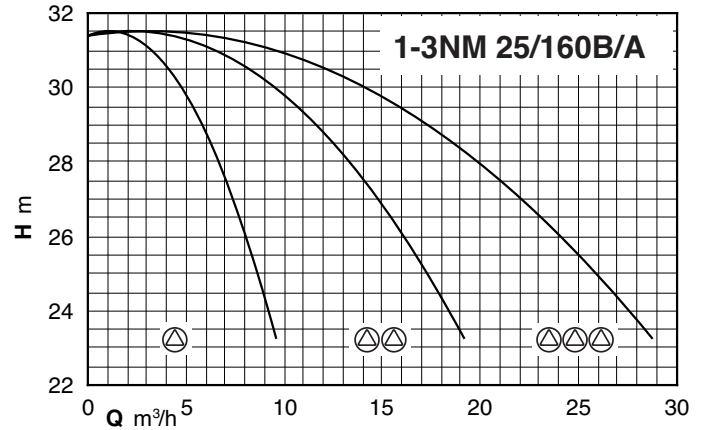
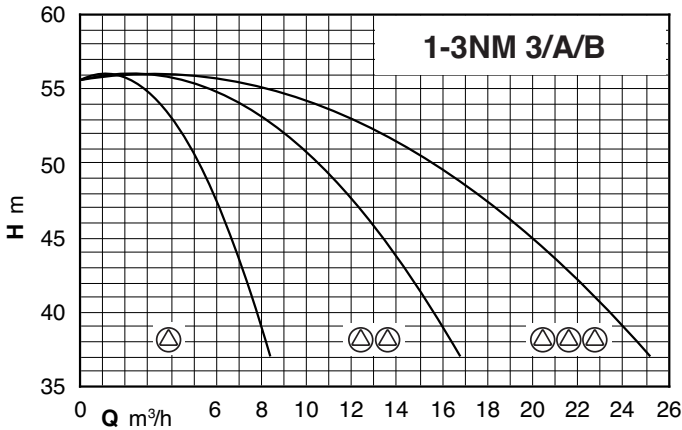
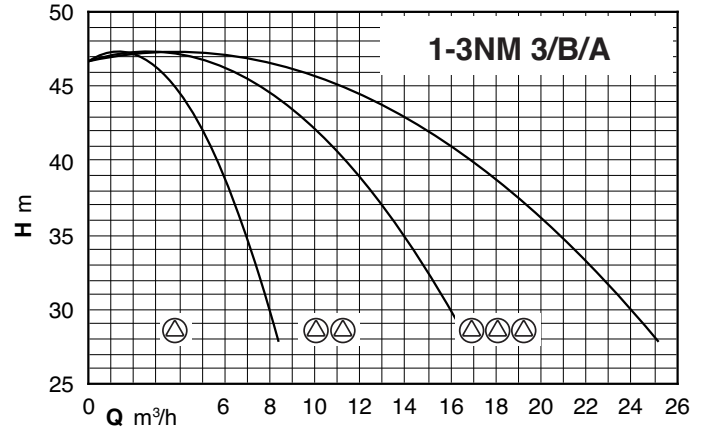
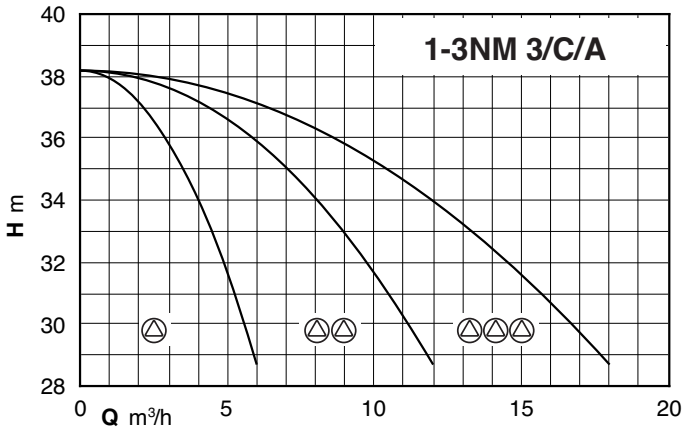
Dimensions and weights



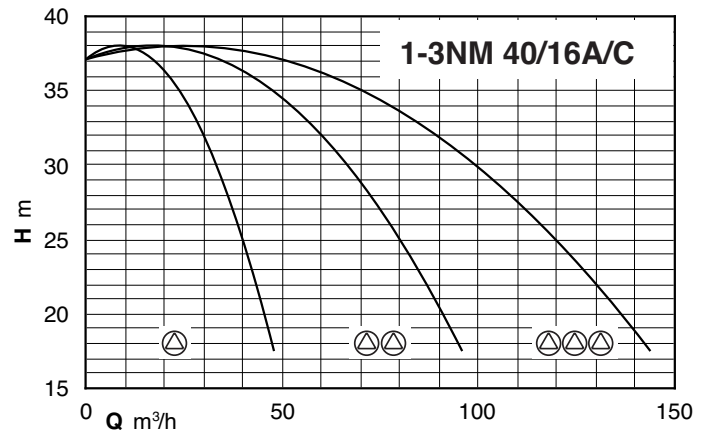
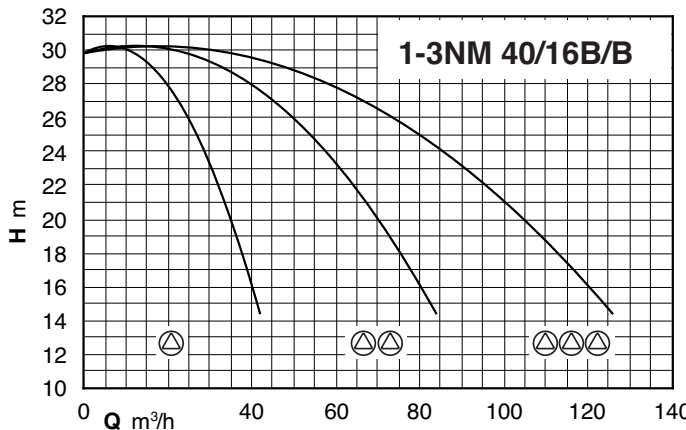
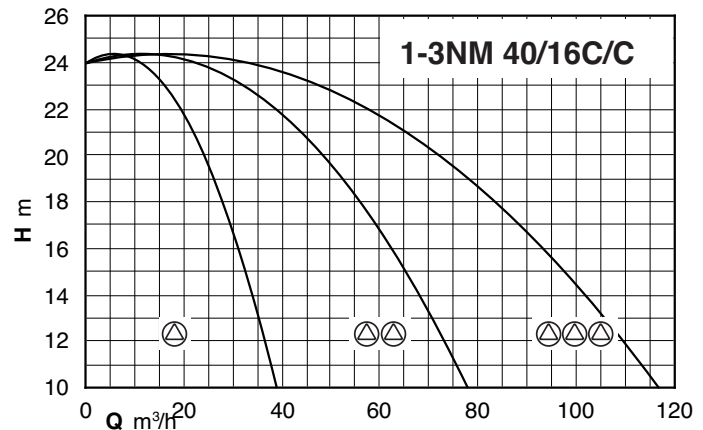
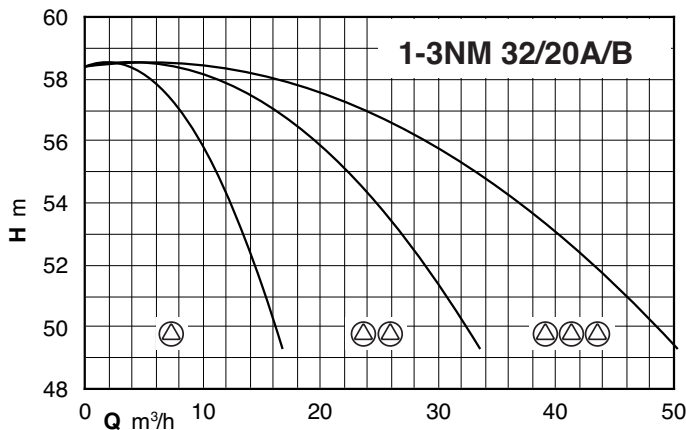
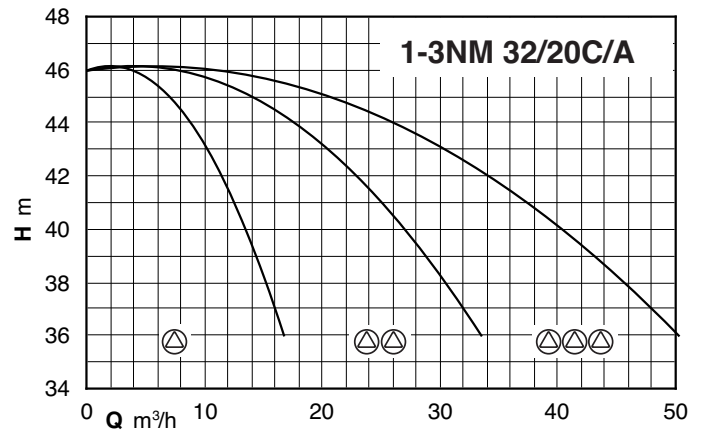
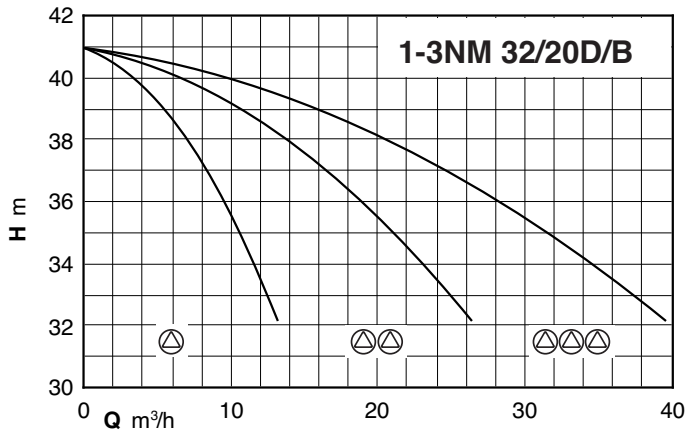
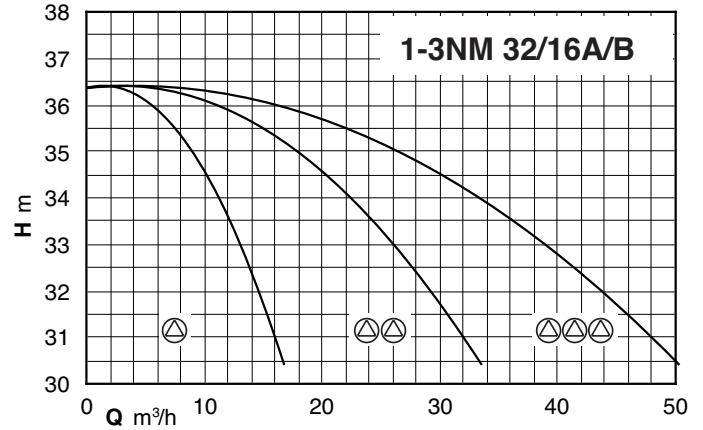
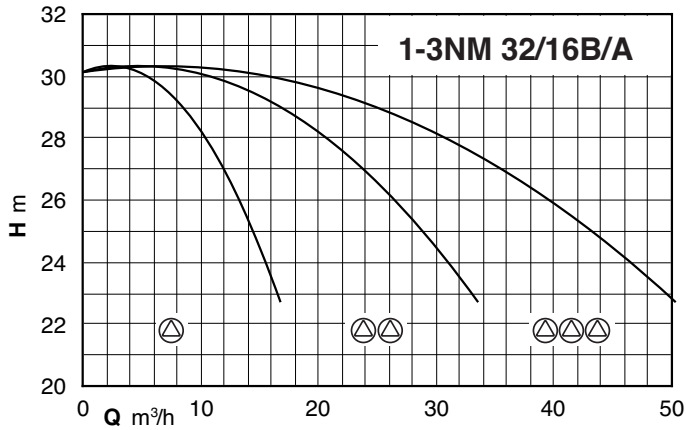
TYPE	Motor			Connection		mm									weight
	kW	HP	A	DN 1	DN 2	h1	L1	L2	m1	B	B2	B3	B4	kg	
BS3V 3MXV 50-1603/C-ITT	3 x3	4 x3	6,6 x3	100	100	1210	276	470	370	550	1200	1400	160	200	-
BS3V 3MXV 50-1604/D-ITT	4 x3	5,5 x3	9,6 x3												-
BS3V 3MXV 50-1605/C-ITT	5,5 x3	7,5 x3	10,9 x3												-
BS3V 3MXV 50-1606/C-ITT	5,5 x3	7,5 x3	10,9 x3												-
BS3V 3MXV 50-1607/C-ITT	7,5 x3	10 x3	14,3 x3												-
BS3V 3MXV 50-1608/C-ITT	7,5 x3	10 x3	14,3 x3	125	125	1210	291	580	462	550	1200	1400	160	200	-
BS3V 3MXV 65-3202/D-ITT	4 x3	5,5 x3	9,6 x3												-
BS3V 3MXV 65-3203/C-ITT	5,5 x3	7,5 x3	10,9 x3												-
BS3V 3MXV 65-3204/C-ITT	7,5 x3	10 x3	14,3 x3												-
BS3V 3MXV 65-3205/D-ITT	11 x3	15 x3	21,5 x3												-
BS3V 3MXV 65-3206/D-ITT	11 x3	15 x3	21,5 x3	150	150	1210	291	683	500	550	1200	1400	160	200	-
BS3V 3MXV 65-3207/D-ITT	15 x3	20 x3	27,3 x3												-
BS3V 3MXV 80-4801/D-ITT	4 x3	5,5 x3	9,6 x3												-
BS3V 3MXV 80-4802/C-ITT	5,5 x3	7,5 x3	10,9 x3												-
BS3V 3MXV 80-4803/C-ITT	7,5 x3	10 x3	14,3 x3												-
BS3V 3MXV 80-4804/D-ITT	11 x3	15 x3	21,5 x3	200	200	*	*	*	*	550	1500	*	*	*	-
BS3V 3MXV 80-4805/D-ITT	15 x3	20x3	27,3 x3												-
BS3V 3MXV 80-4806/D-ITT	15 x3	20x3	27,3 x3												-
BS3V 3MXV 80-4807/D-ITT	18,5 x3	25x3	34 x3												-
BS3V 3MXV 100-6501-ITT	5,5 x3	7,5 x3	10,9 x3												250
BS3V 3MXV 100-6502-2R-ITT	7,5 x3	10 x3	14,3 x3	-											
BS3V 3MXV 100-6502-ITT	11 x3	15 x3	21,5 x3	-											
BS3V 3MXV 100-6503-2R-ITT	15 x3	20 x3	27,3 x3	-											
BS3V 3MXV 100-6503-ITT	18,5 x3	25 x3	34 x3	-											
BS3V 3MXV 100-6504-2R-ITT	18,5 x3	25 x3	34 x3	250	250	*	*	*	*	550	1500	*	*	*	-
BS3V 3MXV 100-6504-ITT	22 x3	30 x3	41 x3												-
BS3V 3MXV 100-9001-1R-ITT	5,5 x3	7,5 x3	10,9 x3												-
BS3V 3MXV 100-9001-ITT	7,5 x3	10 x3	14,3 x3												-
BS3V 3MXV 100-9002-2R-ITT	11 x3	15 x3	21,5 x3												-
BS3V 3MXV 100-9002-ITT	15 x3	20 x3	27,3 x3	250	250	*	*	*	*	550	1500	*	*	*	-
BS3V 3MXV 100-9003-2R-ITT	18,5 x3	25 x3	34 x3												-
BS3V 3MXV 100-9003-ITT	22 x3	30 x3	41 x3												-

Dimensions not binding to be verified when ordering * Dimensions on request

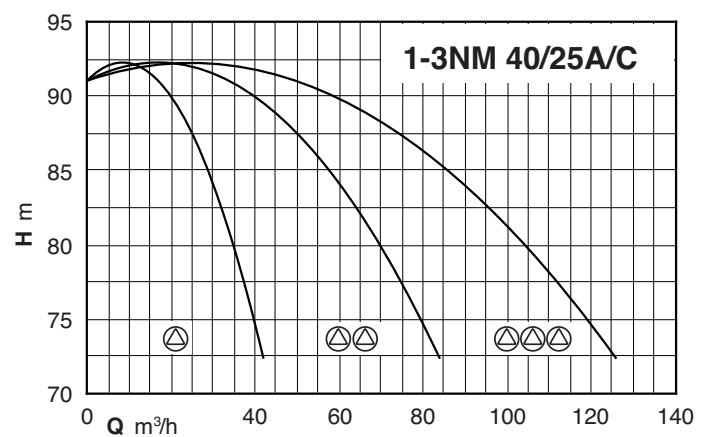
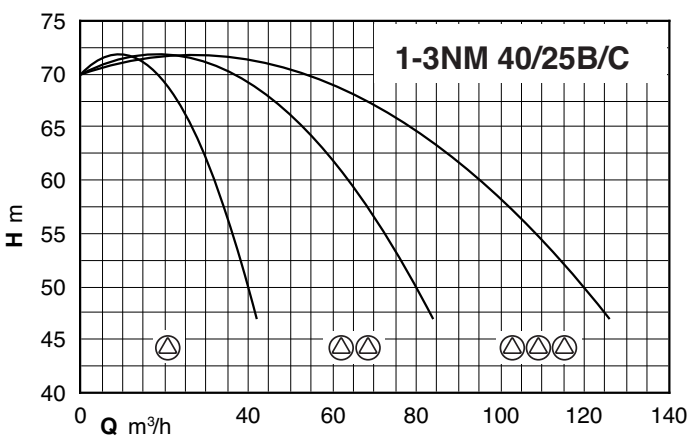
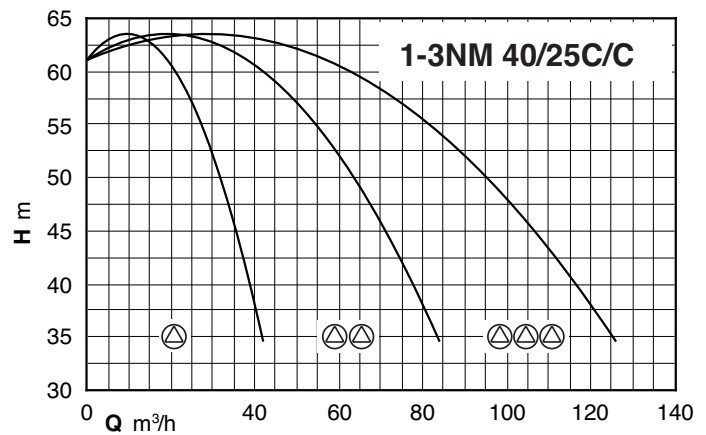
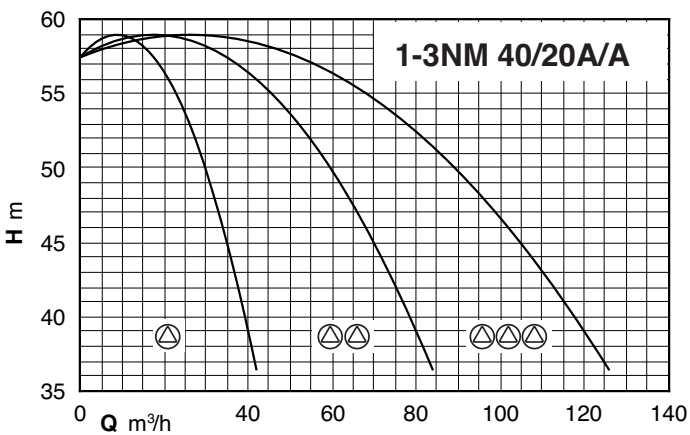
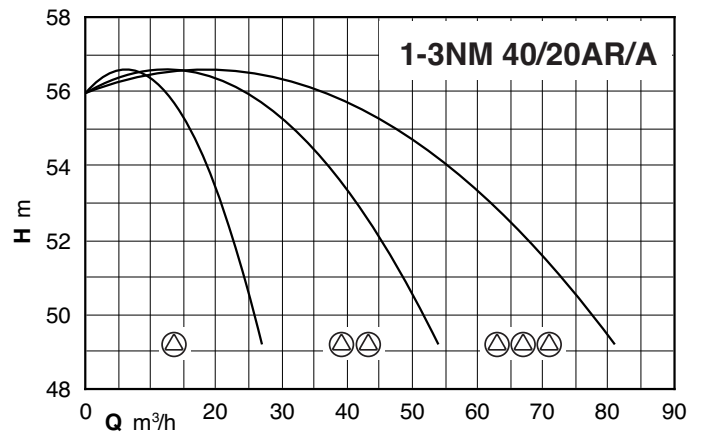
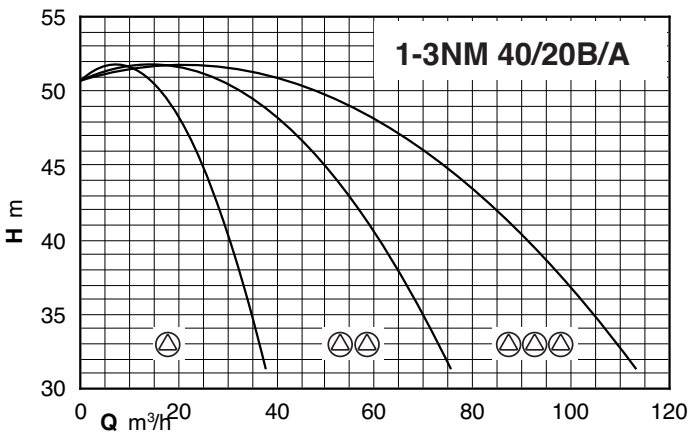
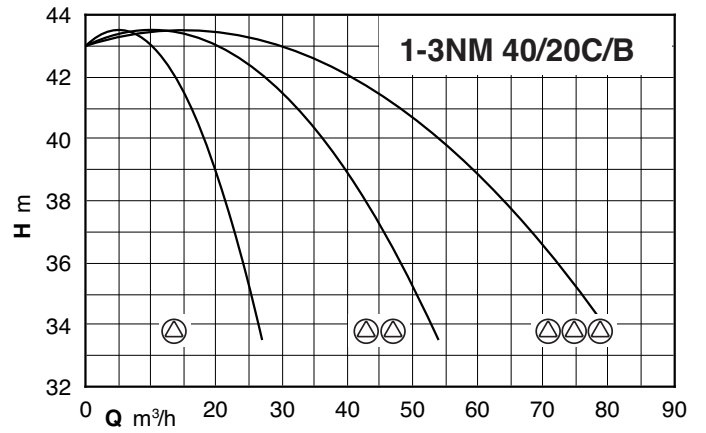
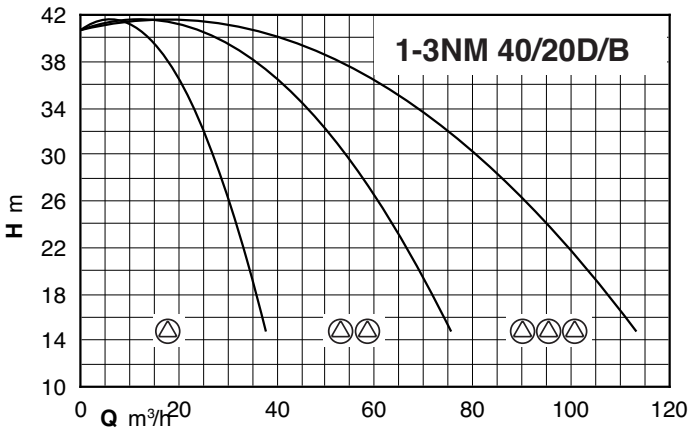
Coverage chart



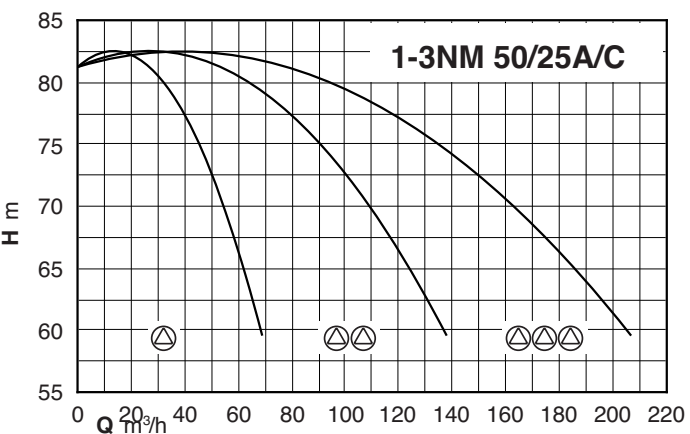
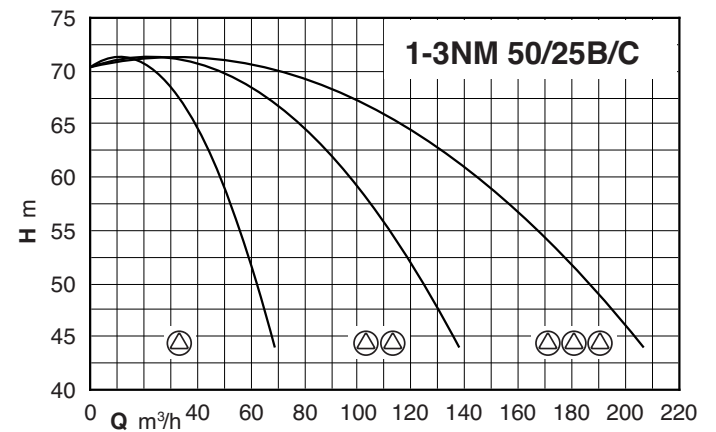
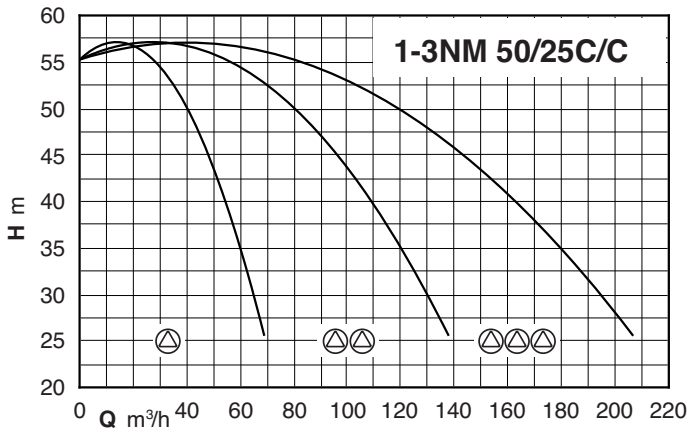
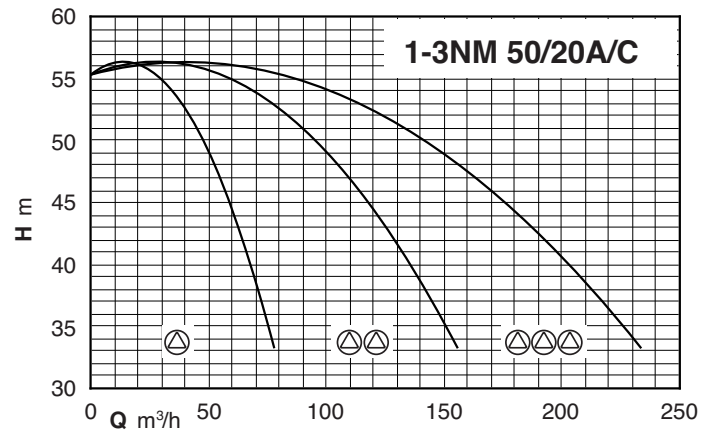
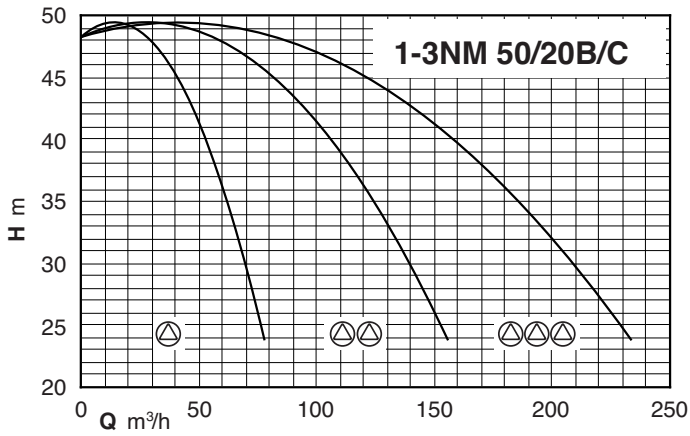
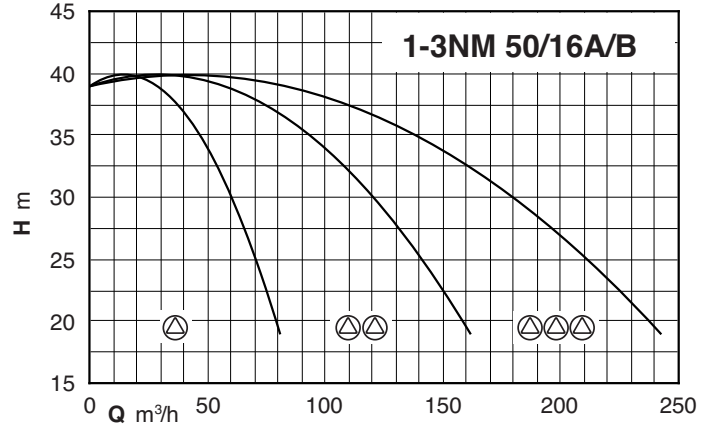
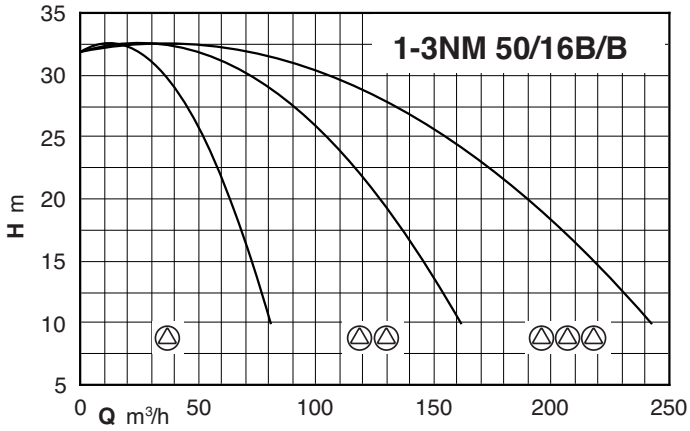
Coverage chart



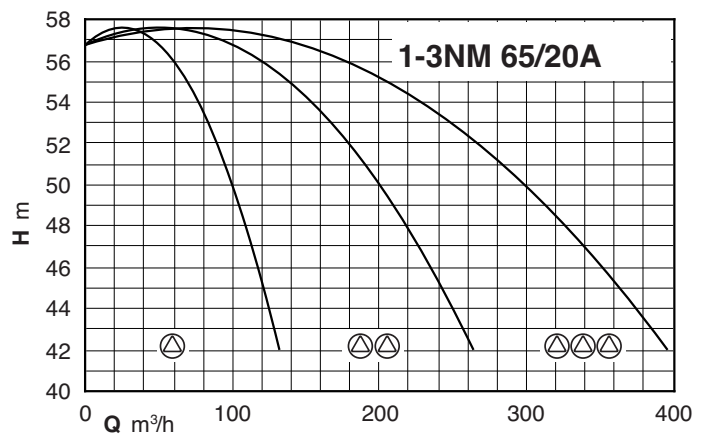
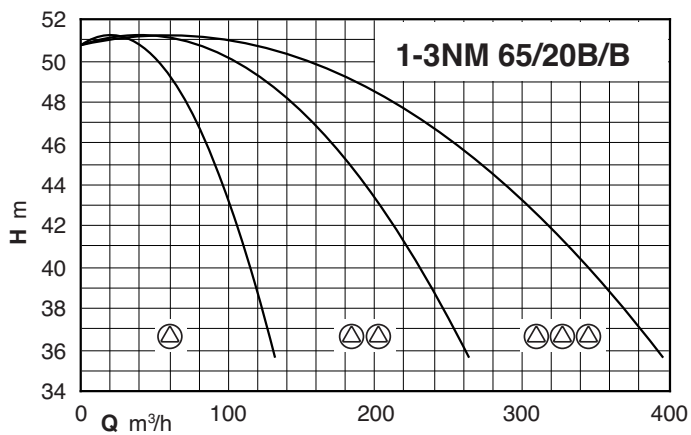
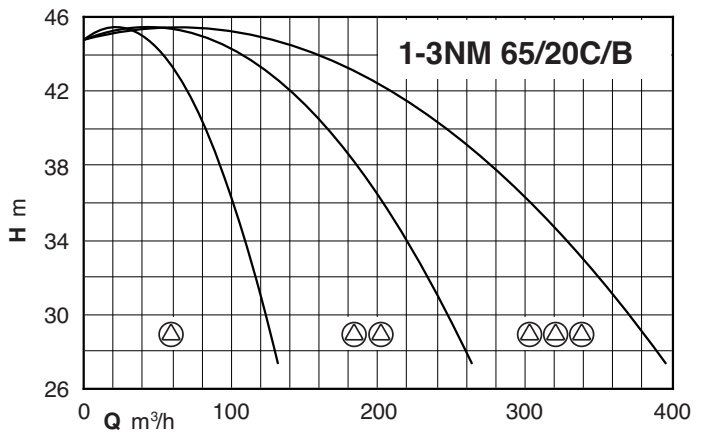
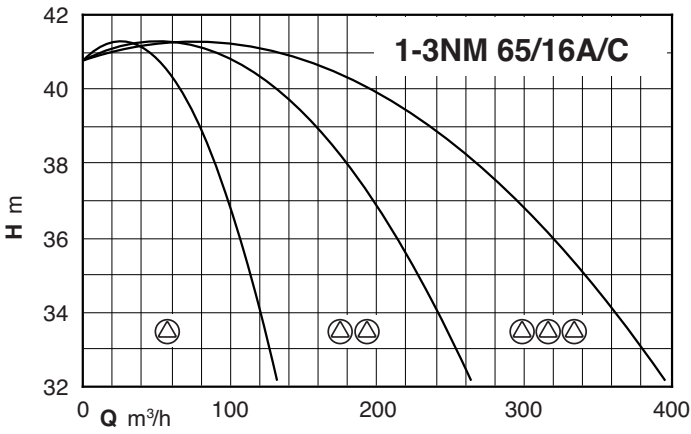
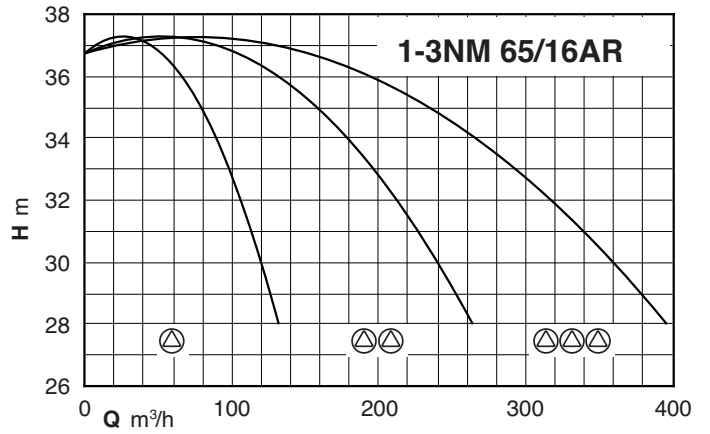
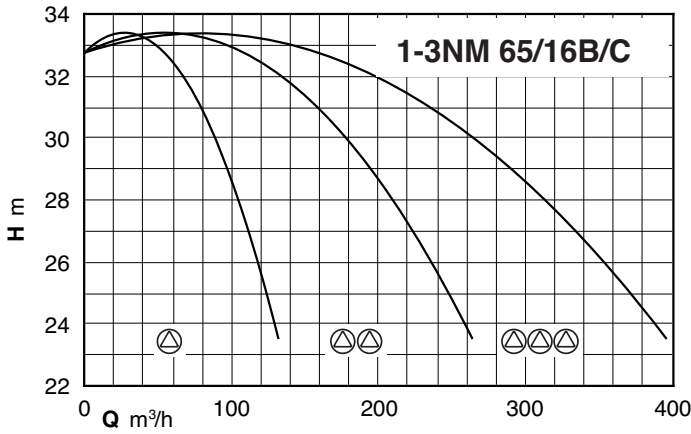
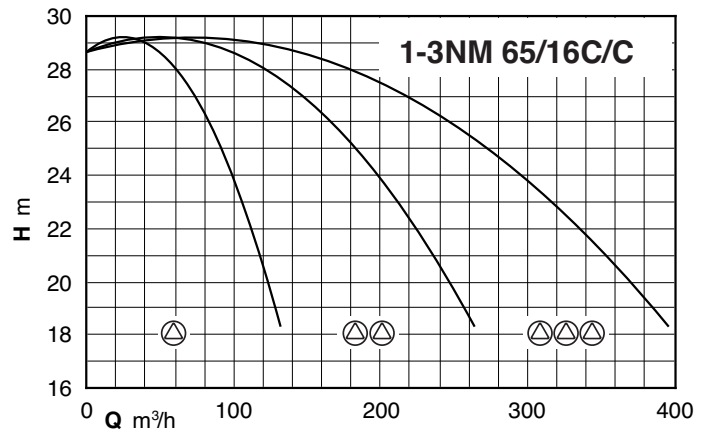
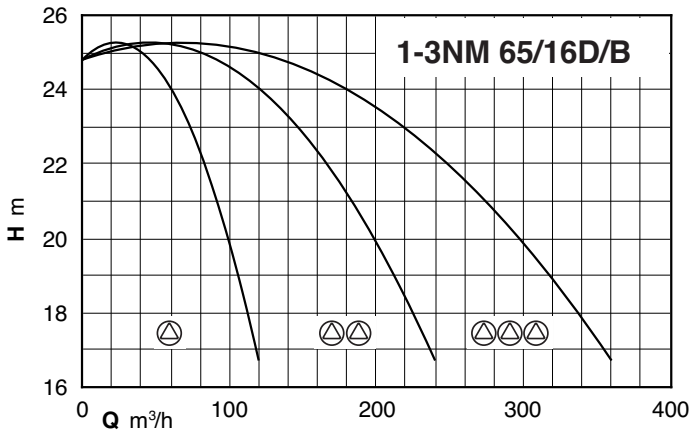
Coverage chart



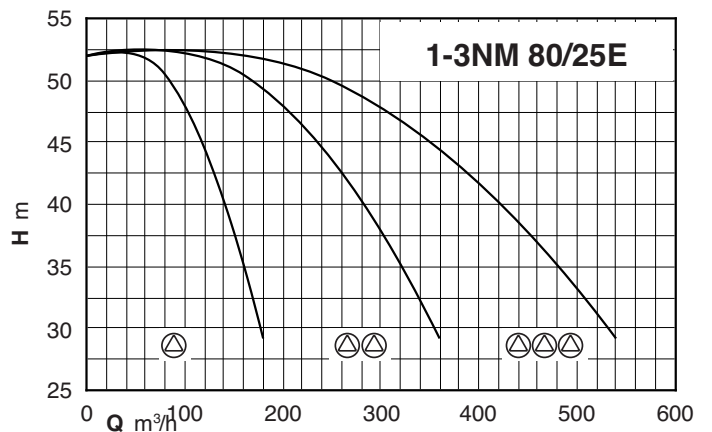
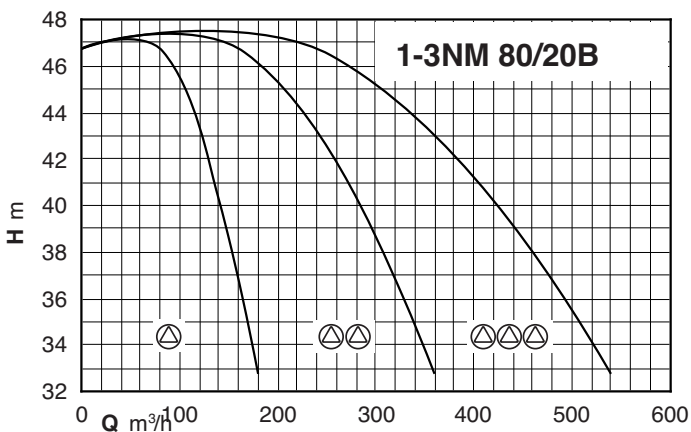
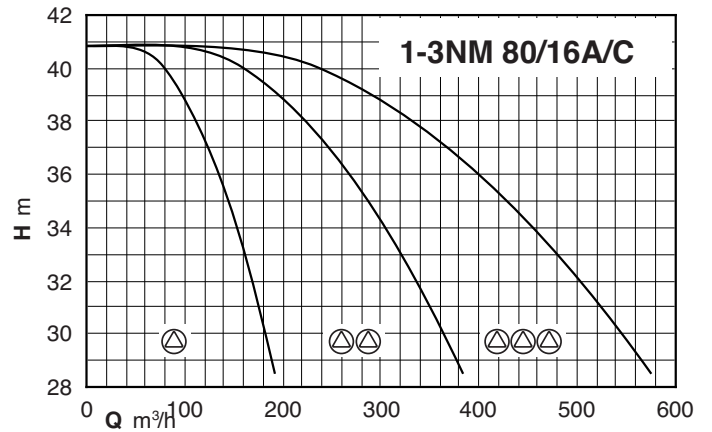
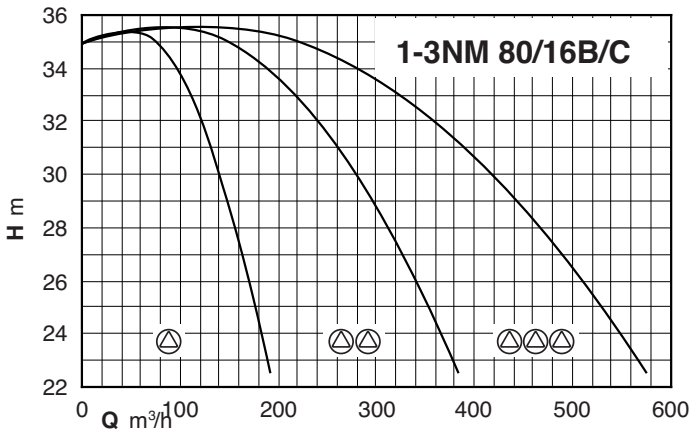
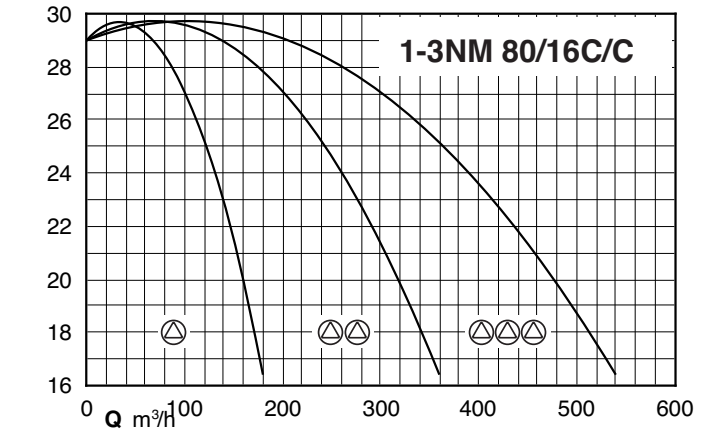
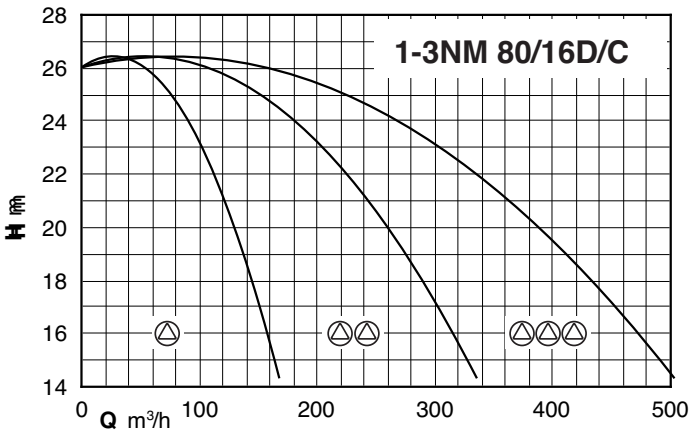
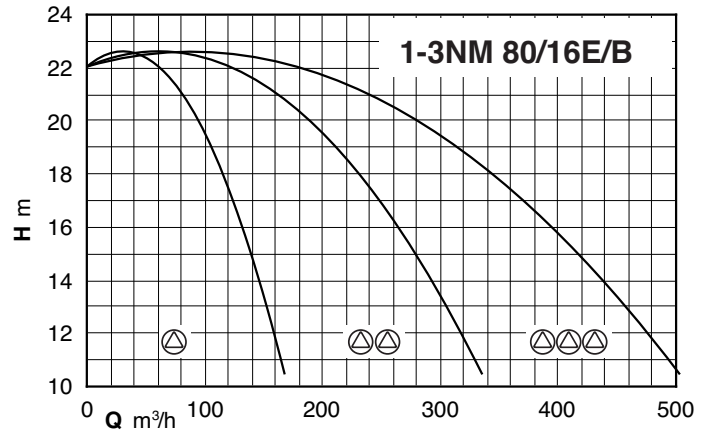
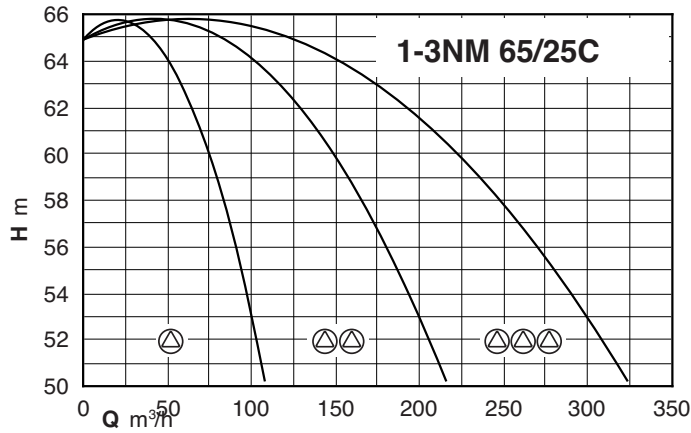
Coverage chart



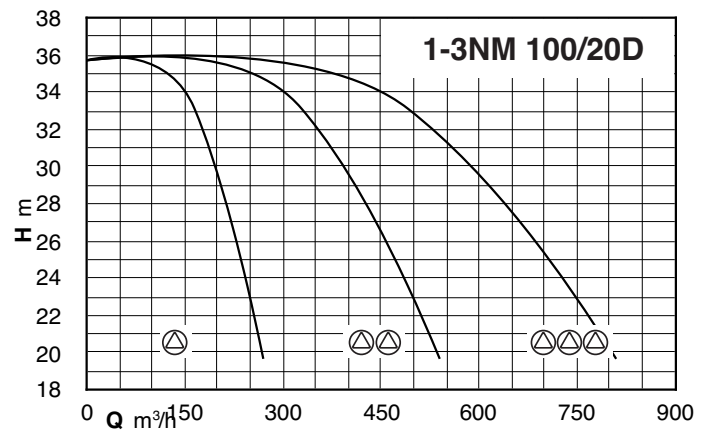
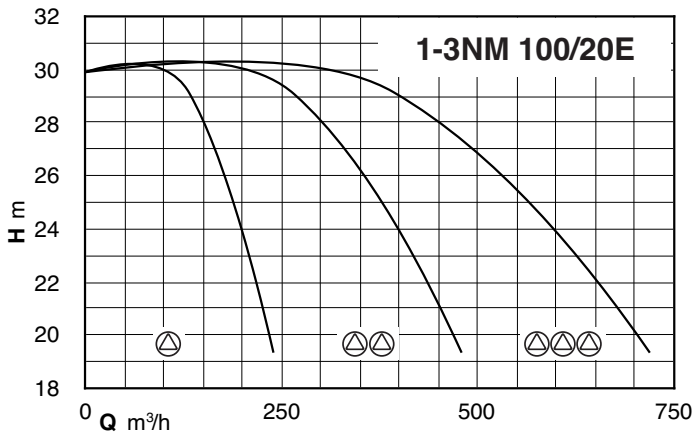
Coverage chart



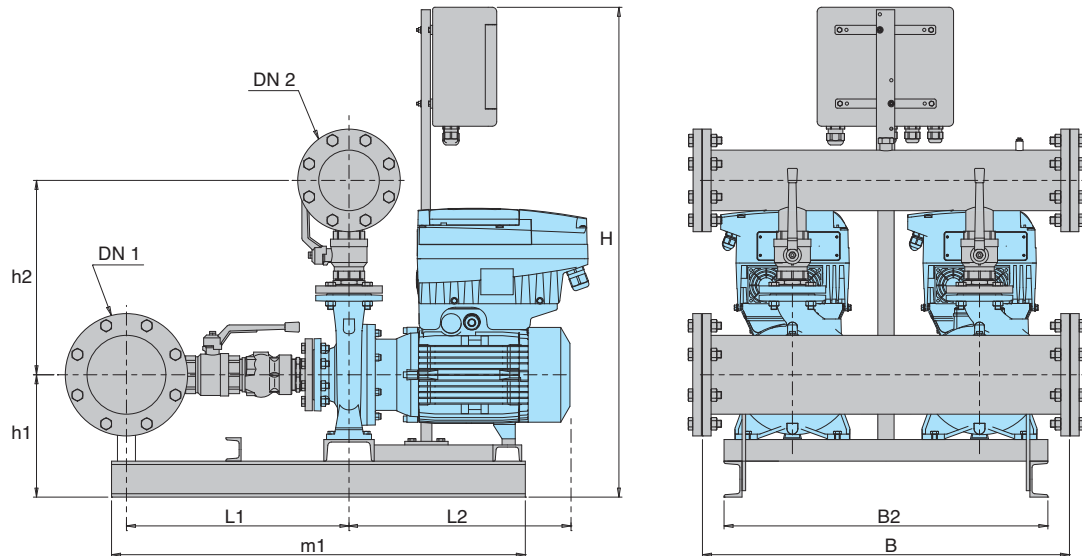
Coverage chart



Coverage chart



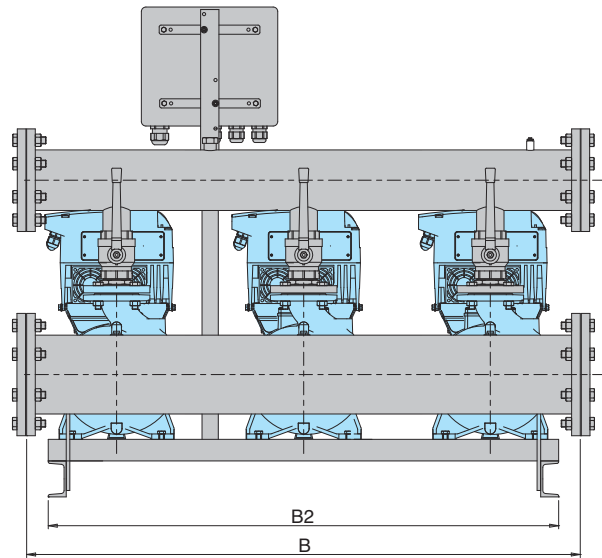
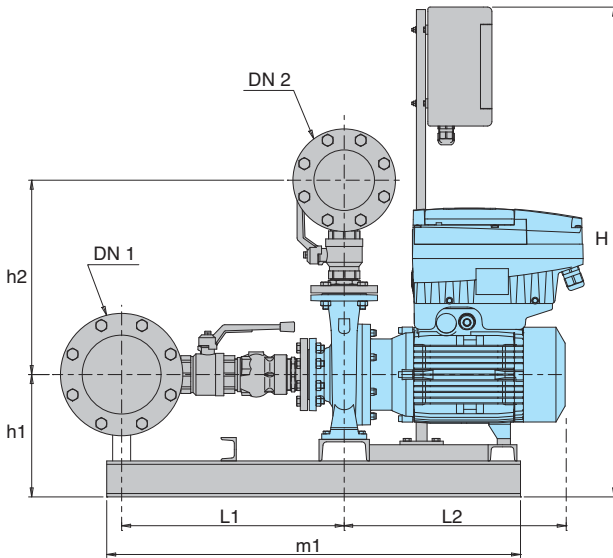
Dimensions



TYPE	Motor			Connection		mm								weight kg
	kW	HP	A	DN 1	DN 2	H	h1	h2	L1	L2	m1	B	B2	
BS2V 2NM 3/C/A-ITT	1,1 x2	1,5 x2	2,7 x2			876								
BS2V 2NM 3/B/A-ITT	1,5 x2	2 x2	4,3 x2	G 2	G 1 1/2	876	146	325	267	325	235	600	625	
BS2V 2NM 3/A/B-ITT	2,2 x2	3 x2	5,3 x2			876				365				
BS2V 2NM 25/160B/A-ITT	1,1 x2	1,5 x2	2,7 x2	G 2	G 1 1/2	876	135	305	273	324	235	600	625	
BS2V 2NM 25/160A/A-ITT	1,5 x2	2 x2	4,3 x2			876								
BS2V 2NM 25/20B/C-ITT	2,2 x2	3 x2	5,3 x2			876	160			370	235			
BS2V 2NM 25/20A/B-ITT	3 x2	4 x2	6,6 x2	G 2 1/2	G 2	883	165	330	373	397	265	600	625	
BS2V 2NM 25/20S/C-ITT	4 x2	5,5 x2	9,6 x2			883	165			397	265			
BS2V 2NM 32/16B/A-ITT	1,5 x2	2 x2	3,5 x2	G 3	G 2 1/2	876	165	345	385	330	235	600	625	
BS2V 2NM 32/16A/B-ITT	2,2 x2	3 x2	5 x2			876	165			370				
BS2V 2NM 32/20D/B-ITT	2,2 x2	3 x2	5 x2			876	195			370				
BS2V 2NM 32/20C/A-ITT	3 x2	4 x2	6,4 x2	G 3	G 2 1/2	876	195	365	385	395	235	600	625	
BS2V 2NM 32/20A/B-ITT	4 x2	5,5 x2	8,3 x2			876	195			395				
BS2V 2NM 40/16C/C-ITT	2,2 x2	3 x2	5 x2			897	187			370				
BS2V 2NM 40/16B/B-ITT	3 x2	4 x2	6,4 x2	100	80	897	187	380	480	395	550	820	800	
BS2V 2NM 40/16A/C-ITT	4 x2	5,5 x2	8,3 x2			897	187			395				
BS2V 2NM 40/20D/B-ITT	4 x2	5,5 x2	8,3 x2			897	215			395				
BS2V 2NM 40/20C/B-ITT	4 x2	5,5 x2	8,3 x2			897	215			395				
BS2V 2NM 40/20B/A-ITT	5,5 x2	7,5 x2	12,5 x2	100	80	897	215	400	500	425	550	820	800	
BS2V 2NM 40/20AR/A-ITT	5,5 x2	7,5 x2	12,5 x2			897	215			425				
BS2V 2NM 40/20A/A-ITT	7,5 x2	10 x2	16 x2			897	215			425				
BS2V 2NM 40/25C/C-ITT	9,2 x2	12,5 x2	19 x2			977	340			540				
BS2V 2NM 40/25B/C-ITT	11 x2	15 x2	22,5 x2	100	80	977	340	440	500	590	-	820	-	
BS2V 2NM 50/16B/B-ITT	5,5 x2	7,5 x2	12,5 x2			977	315			425				
BS2V 2NM 50/16A/B-ITT	7,5 x2	10 x2	16 x2	125	100	977	215	435	515	425	-	-	-	
BS2V 2NM 50/20B/C-ITT	9,2 x2	12,5 x2	19 x2			977	315			540				
BS2V 2NM 50/20A/C-ITT	11 x2	15 x2	22,5 x2	125	100	977	215	455	515	590	-	820	-	
BS2V 2NM 50/25C/C-ITT	11 x2	15 x2	22,5 x2			977	340	480	515	595	-	820	-	
BS2V 2NM 50/16D/B-ITT	7,5 x2	10 x2	16 x2			977	320			425				
BS2V 2NM 65/16C/C-ITT	9,2 x2	12,5 x2	19 x2	200	150	977	320	525	625	540	-	1020	-	
BS2V 2NM 65/16B/C-ITT	11 x2	15 x2	22,5 x2			977	220			590				
BS2V 2NM 80/16E/B-ITT	7,5 x2	10 x2	16 x2			977	340			445				
BS2V 2NM 80/16D/C-ITT	9,2 x2	12,5 x2	19 x2	250	200	977	340	615	730	570	-	1050	-	
BS2V 2NM 80/16C/C-ITT	11 x2	15 x2	22,5 x2			977	340			620				

Dimensions not binding to be verified when ordering

Dimensions



TYPE	Motor			Connection		mm								weight kg
	kW	HP	A	DN 1	DN 2	H	h1	h2	L1	L2	m1	B	B2	
BS3V 3NM 3/C/A-ITT	1,1 x3	1,5 x3	2,7 x3			876				325				
BS3V 3NM 3/B/A-ITT	1,5 x3	2 x3	4,3 x3	G 2	G 2	876	146	316	-	325	423	950	1000	
BS3V 3NM 3/A/B-ITT	2,2 x3	3 x3	5,3 x3			876				365				
BS3V 3NM 25/160B/A-ITT	1,1 x3	1,5 x3	2,7 x3	G 2	G 2	876	135	290	-	324	423	950	1000	
BS3V 3NM 25/160A/A-ITT	1,5 x3	2 x3	4,3 x3			876								
BS3V 3NM 25/20B/C-ITT	2,2 x3	3 x3	5,3 x3			876	160			370				
BS3V 3NM 25/20A/B-ITT	3 x3	4 x3	6,6 x3	G 3	G 2 1/2	883	165	316	-	397	423	950	1000	
BS3V 3NM 25/20S/C-ITT	4 x3	5,5 x3	9,6 x3			883	165			397				
BS3V 3NM 32/16B/A-ITT	1,5 x3	2 x3	3,5 x3	100	80	876	165	-	-	330	-	950	-	
BS3V 3NM 32/16A/B-ITT	2,2 x3	3 x3	5 x3			876	165			370				
BS3V 3NM 32/20D/B-ITT	2,2 x3	3 x3	5 x3			876	195			370				
BS3V 3NM 32/20C/A-ITT	3 x3	4 x3	6,4 x3	100	80	876	195	-	-	395	-	950	-	
BS3V 3NM 32/20A/B-ITT	4 x3	5,5 x3	8,3 x3			876	195			395				
BS3V 3NM 40/16C/C-ITT	2,2 x3	3 x3	5 x3			897	187			370				
BS3V 3NM 40/16B/B-ITT	3 x3	4 x3	6,4 x3	125	100	897	187	390	495	395	-	1340	-	
BS3V 3NM 40/16A/C-ITT	4 x3	5,5 x3	8,3 x3			897	187			395				
BS3V 3NM 40/20D/B-ITT	4 x3	5,5 x3	8,3 x3			897	215			395				
BS3V 3NM 40/20C/B-ITT	4 x3	5,5 x3	8,3 x3			897	215			395				
BS3V 3NM 40/20B/A-ITT	5,5 x3	7,5 x3	12,5 x3	125	100	897	215	410	515	425	-	1340	-	
BS3V 3NM 40/20AR/A-ITT	5,5 x3	7,5 x3	12,5 x3			897	215			425				
BS3V 3NM 40/20A/A-ITT	7,5 x3	10 x3	16 x3			897	215			425				
BS3V 3NM 40/25C/C-ITT	9,2 x3	12,5 x3	19 x3	125	100	977	340	450	515	540	-	1340	-	
BS3V 3NM 40/25B/C-ITT	11 x3	15 x3	22,5 x3			977	340			590				
BS3V 3NM 50/16B/B-ITT	5,5 x3	7,5 x3	12,5 x3	150	125	977	315	448	525	425	-	1340	-	
BS3V 3NM 50/16A/B-ITT	7,5 x3	10 x3	16 x3			977	215			425				
BS3V 3NM 50/20B/C-ITT	9,2 x3	12,5 x3	19 x3	150	125	977	315	468	525	540	-	1340	-	
BS3V 3NM 50/20A/C-ITT	11 x3	15 x3	22,5 x3			977	215			590				
BS3V 3NM 50/25C/C-ITT	11 x3	15 x3	22,5 x3	150	125	977	340	493	525	595	-	1340	-	
BS3V 3NM 65/16D/B-ITT	7,5 x3	10 x3	16 x3			977	320			425				
BS3V 3NM 65/16C/C-ITT	9,2 x3	12,5 x3	19 x3	250	200	977	320	555	650	540	-	1540	-	
BS3V 3NM 65/16B/C-ITT	11 x3	15 x3	22,5 x3			977	220			590				
BS3V 3NM 80/16E/B-ITT	7,5 x3	10 x3	16 x3			977	340			445				
BS3V 3NM 80/16D/C-ITT	9,2 x3	12,5 x3	19 x3	300	250	977	340	645	755	570	-	1600	-	
BS3V 3NM 80/16C/C-ITT	11 x3	15 x3	22,5 x3			977	340			620				

Dimensions not binding to be verified when ordering

BS2. MXP, 2MGP, 2NM, 2NMD, 2NG..

Pressure boosting sets for domestic use with two electric pumps
Fixed speed pump or **Variable speed pump (frequency converter)**



Construction

Automatic pressure boosting plant consisting of two pumps complete with ball, non return valve on the suction side and ball valves on the discharge side.

Suction and delivery manifolds are in AISI 304 stainless steel.

Connections are located on the delivery manifold for the installation of two 20 litres cylindrical vessels.

Electrical control boards:

- with microprocessor for fixed speed pump units (see page 504).
- with frequency converter for variable speed pump units (see page 505).

The unit includes one pressure gauge and two adjustable differential pressure switches or pressure transducer (for sets with frequency converter).

Operation

BS 2F Fixed speed pump

Depending on the reduction of the pressure in the system, the pressure switches determine the starting up of the pumps in sequence and the microprocessor alternates the starts.

BS1V1F Pumps at variable speed with one frequency converter

According to the water consumption, one or more pumps start, one at variable speed and the others at fixed speed, to grant the water quantity required at the set pressure.

BS2V Pumps at variable speed with two frequency converter

Depending on water consumption, one or more pumps are activated, all at variable speed, in order to guarantee the quantity of water required at the set pressure.

Applications

For drawing water out a well.

As pressure boosting pump to increase water pressure when needed (follow local rules).

Motors

2-pole induction motors, 50 Hz, $n \approx 2900$ rpm.

- Three-phase 230/400V $\pm 10\%$ up to 3 kW, suitable for operation with frequency converter;
400/690V $\pm 10\%$ for 4 kW, suitable for operation with frequency converter;
- Single-phase 230 V $\pm 10\%$, with thermal protector.

Insulation class F.

Protection IP 54.

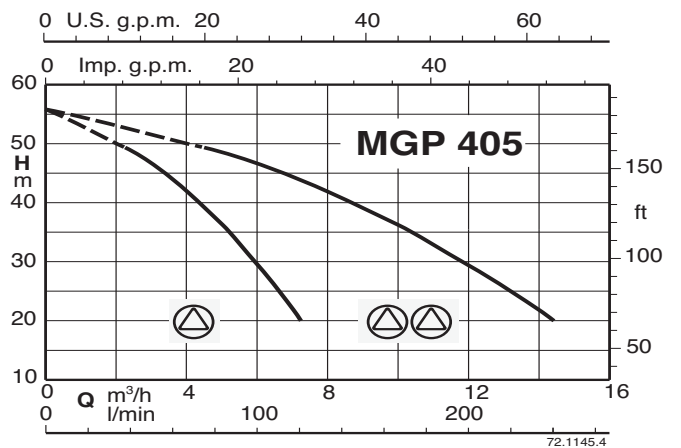
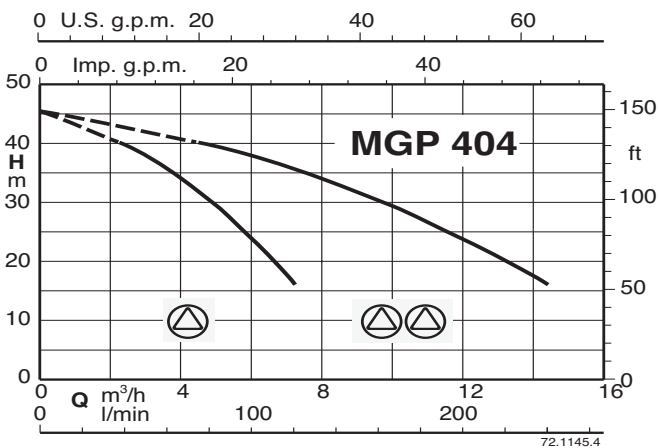
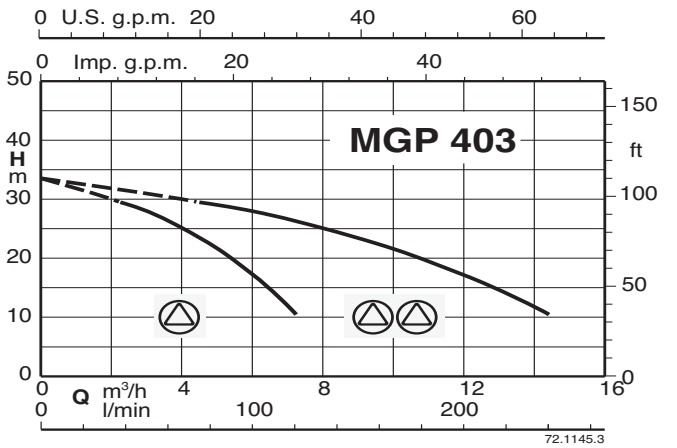
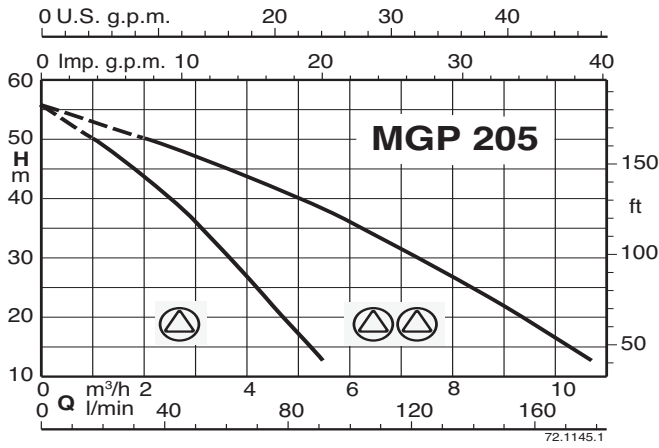
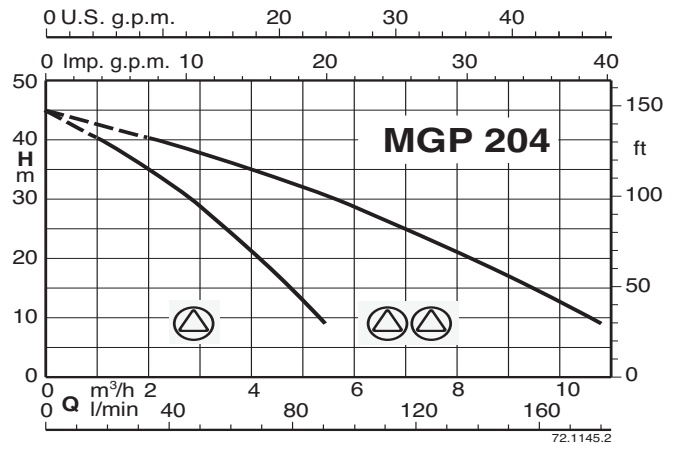
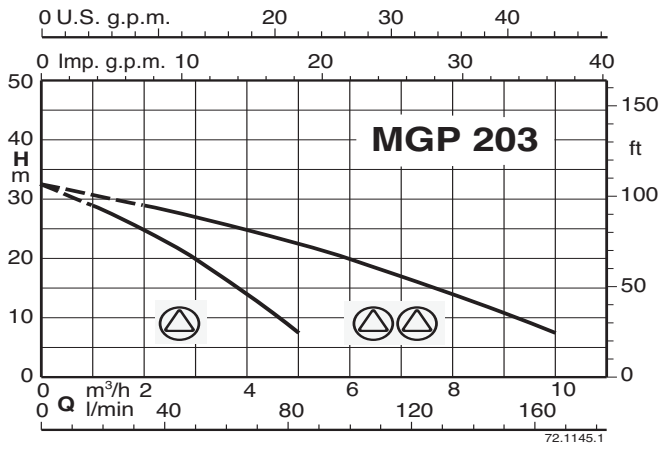
Constructed in accordance with: IEC 60034.

Other voltages and frequencies on request.

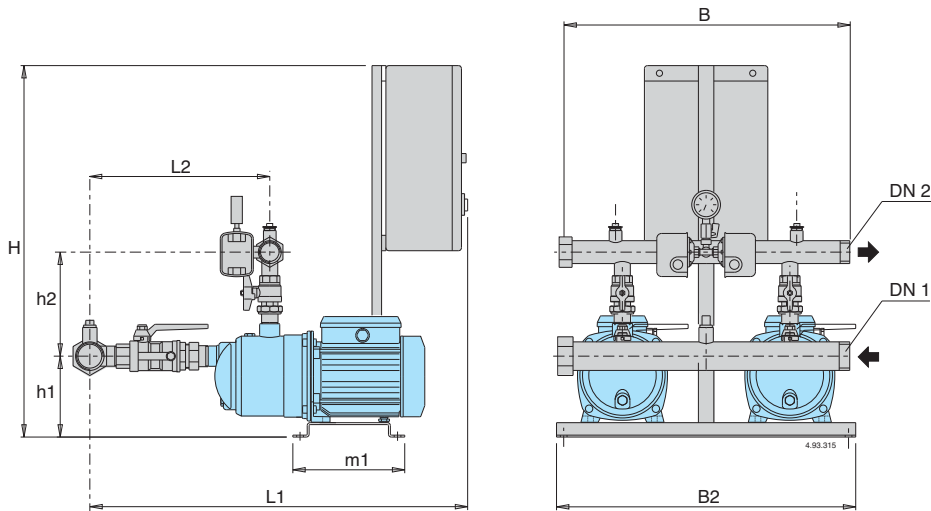
Vessels (on request)

Cylindrical with capacity 20 litres, membrane type, air precharged.

Coverage chart



Characteristic, dimensions and weights



BS2F BSM2F

Mains: 400V 3~ Motor: 400V 3~	Mains: 230V 1~ Motor: 230V 1~	Motor		Q max* l/min	Pres. switch setting		Manifolds		mm							Weight kg	Vessel		
		kW	HP		bar	bar	DN1	DN2	H	h1	h2	L1	L2	m1	B2		B	Mem. litre	Vessel litre
BS2F 2MGP 203	BSM2F 2MGPM 203	0,45+0,45	0,6+0,6	155	1,4÷2,6	1,0÷2,2	G 2	G 1 1/2	840	151	206	793	355	235	625	600	41	24x2	100
BS2F 2MGP 204	BSM2F 2MGPM 204	0,55+0,55	0,75+0,75	160	2,0÷3,2	1,5÷2,7	G 2	G 1 1/2	840	151	206	793	355				46	24x2	100
BS2F 2MGP 205/A	BSM2F 2MGPM 205	0,75+0,75	1+1	160	3,0÷4,5	2,5÷4,0	G 2	G 1 1/2	840	151	206	793	355				52	24x2	100
BS2F 2MGP 403	BSM2F 2MGPM 403	0,55+0,55	0,75+0,75	230	1,2÷2,4	0,9÷2,1	G 2	G 1 1/2	840	151	206	793	355				46	24x2	100
BS2F 2MGP 404/A	BSM2F 2MGPM 404	0,75+0,75	1+1	220	2,4÷3,6	2,0÷3,2	G 2	G 1 1/2	840	151	206	793	355				48	80	200
BS2F 2MGP 405	BSM2F 2MGPM 405	1,1+1,1	1,5+1,5	220	3,0÷4,5	2,5÷4,0	G 2	G 1 1/2	840	151	206	793	355				54	80	200

* Maximum pumps flow at minimum set pressure of 2nd pressure switch.

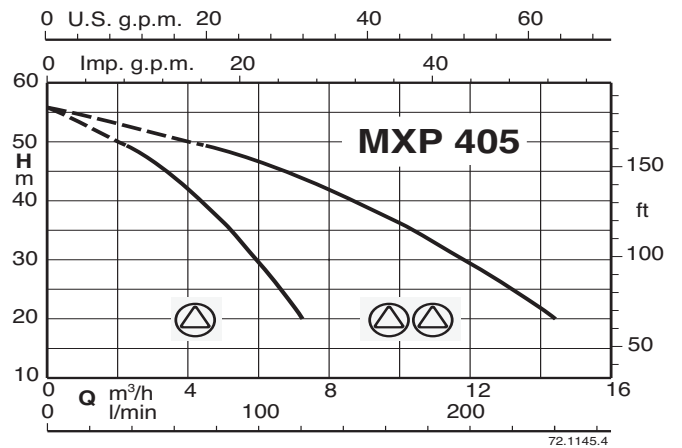
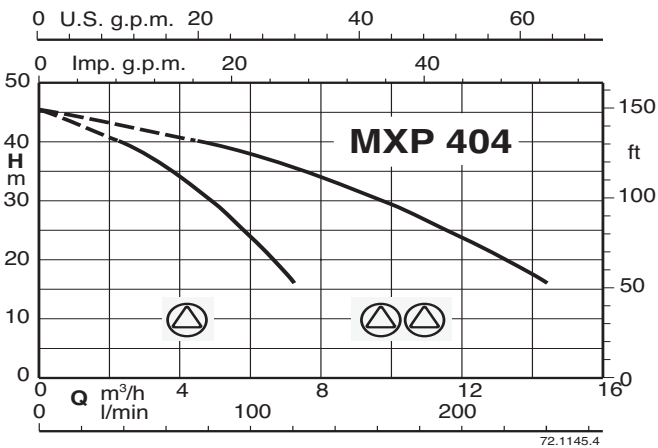
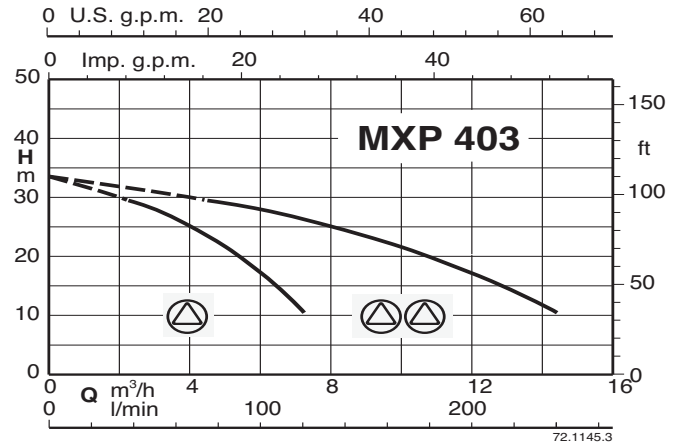
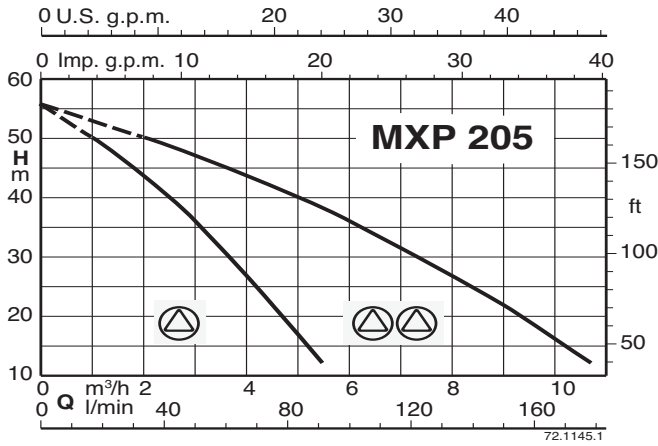
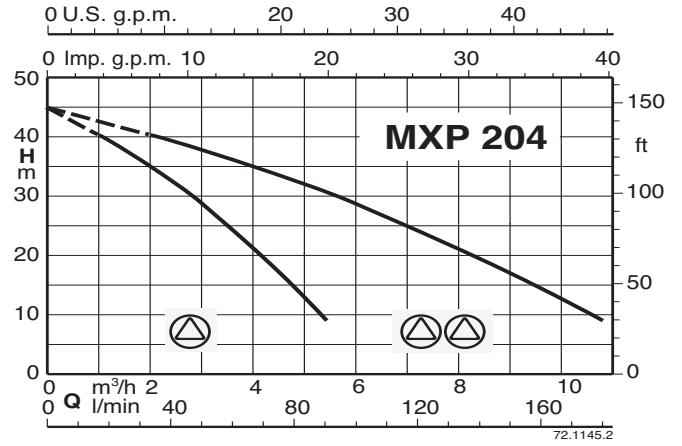
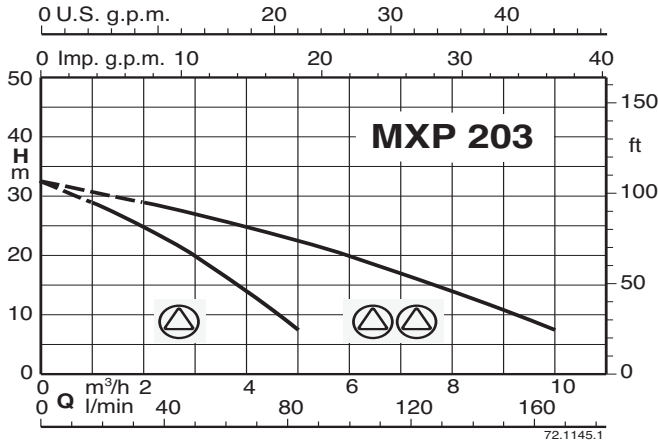
BS1V1F BSM1V1F

Mains: 400V 3~ Motor: 400V 3~	Mains: 230V 1~ Motor: 230V 3~ and 230V 1~	Motor		Q max* l/min	Pres. switch setting		Manifolds		mm							Weight kg	Vessel		
		kW	HP		bar	bar	DN1	DN2	H	h1	h2	L1	L2	m1	B2		B	Mem. litre	Vessel litre
BS1V1F 2MGP 203	BSM1V1F 2MGP 203	0,45+0,45	0,6+0,6	155	1,4÷2,6	1,0÷2,2	G 2	G 1 1/2	1100	151	206	793	355	235	625	600	41	24x2	100
BS1V1F 2MGP 204	BSM1V1F 2MGP 204	0,55+0,55	0,75+0,75	160	2,0÷3,2	1,5÷2,7	G 2	G 1 1/2	1100	151	206	793	355				46	24x2	100
BS1V1F 2MGP 205/A	BSM1V1F 2MGP 205	0,75+0,75	1+1	160	3,0÷4,5	2,5÷4,0	G 2	G 1 1/2	1100	151	206	793	355				52	24x2	100
BS1V1F 2MGP 403	BSM1V1F 2MGP 403	0,55+0,55	0,75+0,75	230	1,2÷2,4	0,9÷2,1	G 2	G 1 1/2	1100	151	206	793	355				46	24x2	100
BS1V1F 2MGP 404/A	BSM1V1F 2MGP 404	0,75+0,75	1+1	220	2,4÷3,6	2,0÷3,2	G 2	G 1 1/2	1100	151	206	793	355				48	24x2	100
BS1V1F 2MGP 405	BSM1V1F 2MGP 405	1,1+1,1	1,5+1,5	220	3,0÷4,5	2,5÷4,0	G 2	G 1 1/2	1100	151	206	793	355				54	24x2	100

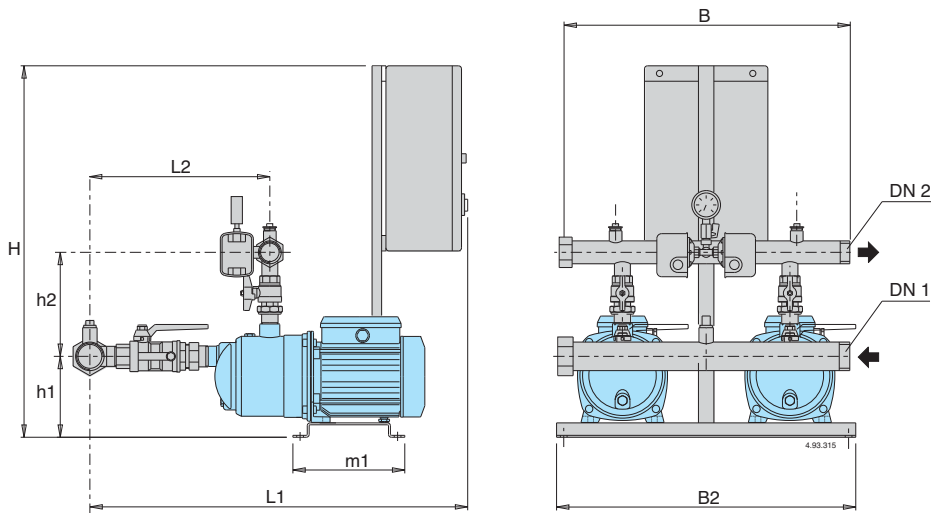
BS2V BSM2V

Mains: 400V 3~ Motor: 400V 3~	Mains: 230V 1~ Motor: 230V 3~	Motor		Q max* l/min	Pres. switch setting		Manifolds		mm							Weight kg	Vessel		
		kW	HP		bar	bar	DN1	DN2	H	h1	h2	L1	L2	m1	B2		B	Mem. litre	Vessel litre
BS2V 2MGP 203	BSM2V 2MGP 203	0,45+0,45	0,6+0,6	155	1,4÷2,6	1,0÷2,2	G 2	G 1 1/2	1100	151	206	793	355	235	625	600	41	24x2	100
BS2V 2MGP 204	BSM2V 2MGP 204	0,55+0,55	0,75+0,75	160	2,0÷3,2	1,5÷2,7	G 2	G 1 1/2	1100	151	206	793	355				46	24x2	100
BS2V 2MGP 205/A	BSM2V 2MGP 205	0,75+0,75	1+1	160	3,0÷4,5	2,5÷4,0	G 2	G 1 1/2	1100	151	206	793	355				52	24x2	100
BS2V 2MGP 403	BSM2V 2MGP 403	0,55+0,55	0,75+0,75	230	1,2÷2,4	0,9÷2,1	G 2	G 1 1/2	1100	151	206	793	355				46	24x2	100
BS2V 2MGP 404/A	BSM2V 2MGP 404	0,75+0,75	1+1	220	2,4÷3,6	2,0÷3,2	G 2	G 1 1/2	1100	151	206	793	355				48	24x2	100
BS2V 2MGP 405	BSM2V 2MGP 405	1,1+1,1	1,5+1,5	220	3,0÷4,5	2,5÷4,0	G 2	G 1 1/2	1100	151	206	793	355				54	24x2	100

Coverage chart



Characteristic, dimensions and weights



BS2F BSM2F

Mains: 400V 3~ Motor: 400V 3~	Mains: 230V 1~ Motor: 230V 1~	Motor		Q max* l/min	Pres. switch setting		Manifolds		mm							Weight kg	Vessel		
		kW	HP		bar	bar	DN1	DN2	H	h1	h2	L1	L2	m1	B2		B	Mem. litre	Vessel litre
BS2F 2MXP 203	BSM2F 2MXPM 203	0,45+0,45	0,6+0,6	155	1,4÷2,6	1,0÷2,2	G 2	G 1 1/2	840	151	206	793	355	235	625	600	41	24x2	100
BS2F 2MXP 204/A	BSM2F 2MXPM 204/A	0,55+0,55	0,75+0,75	160	2,0÷3,2	1,5÷2,7	G 2	G 1 1/2	840	151	206	793	355				46	24x2	100
BS2F 2MXP 205/A	BSM2F 2MXPM 205	0,75+0,75	1+1	160	3,0÷4,5	2,5÷4,0	G 2	G 1 1/2	840	151	206	793	355				48	24x2	100
BS2F 2MXP 403/A	BSM2F 2MXPM 403/A	0,55+0,55	0,75+0,75	230	1,5÷2,7	1,2÷2,4	G 2	G 1 1/2	840	151	206	793	355				46	24x2	100
BS2F 2MXP 404/B	BSM2F 2MXPM 404/A	0,75+0,75	1+1	220	2,4÷3,6	2,0÷3,2	G 2	G 1 1/2	840	151	206	793	355				48	80	200
BS2F 2MXP 405	BSM2F 2MXPM 405	1,1+1,1	1,5+1,5	220	3,0÷4,5	3,5÷4,0	G 2	G 1 1/2	840	151	206	793	355				54	80	200

* Maximum pumps flow at minimum set pressure of 2nd pressure switch.

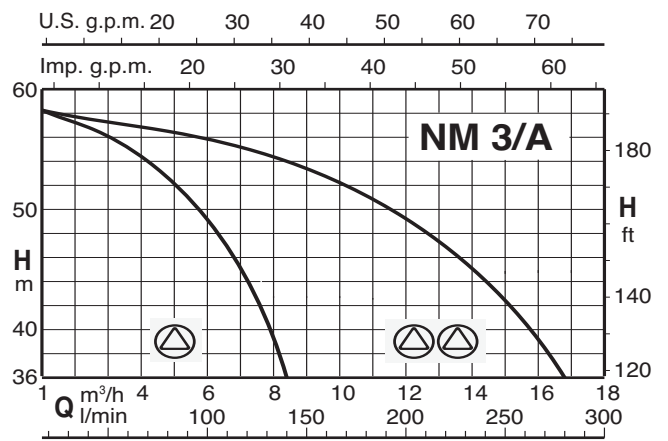
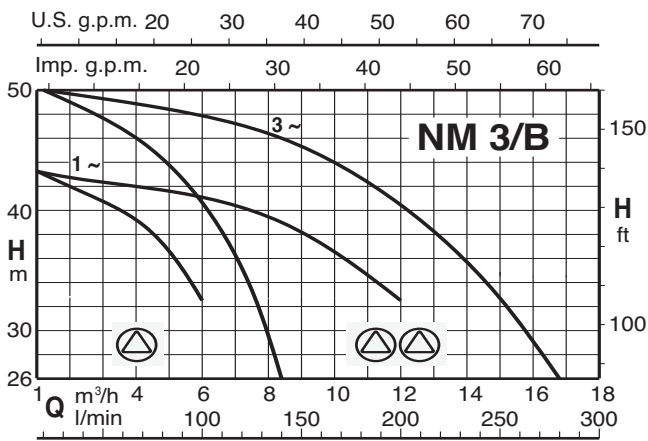
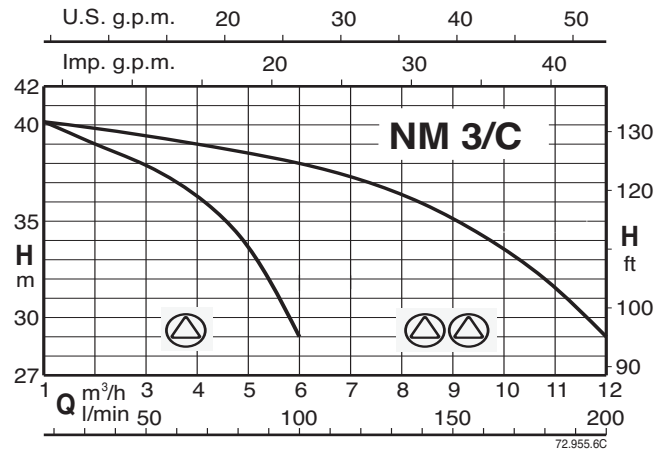
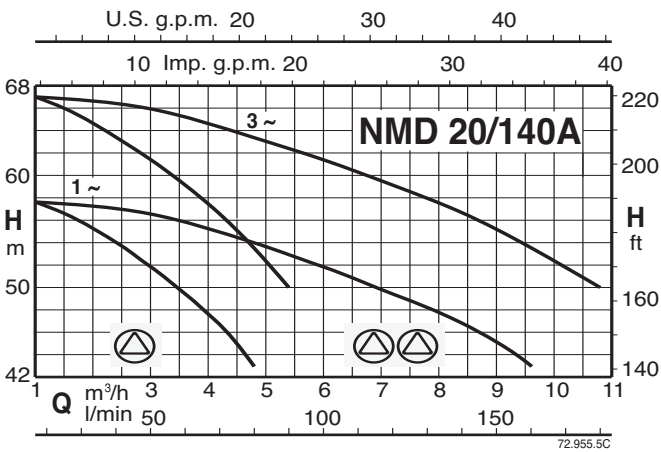
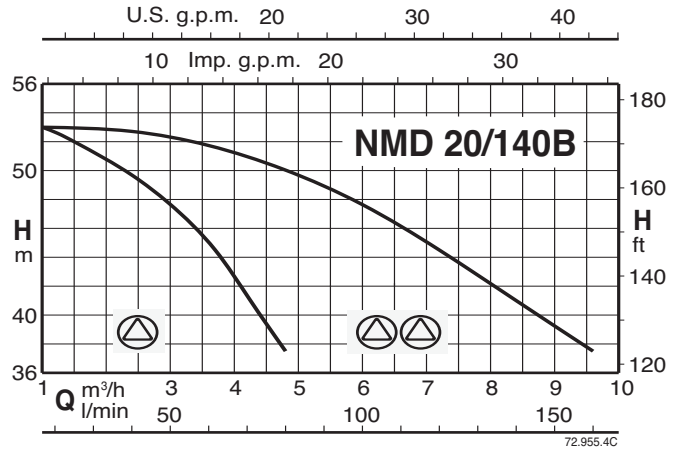
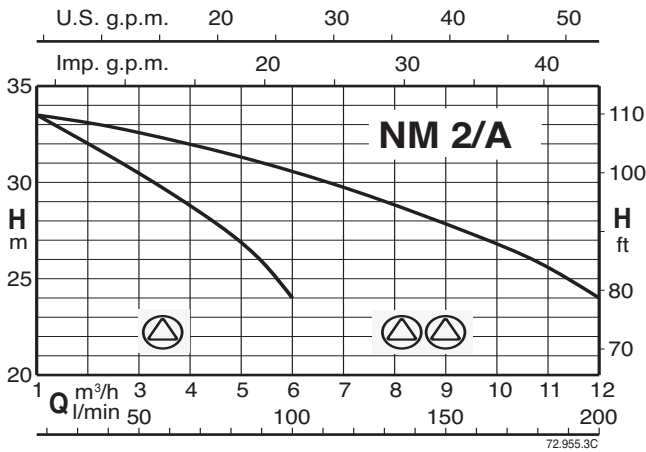
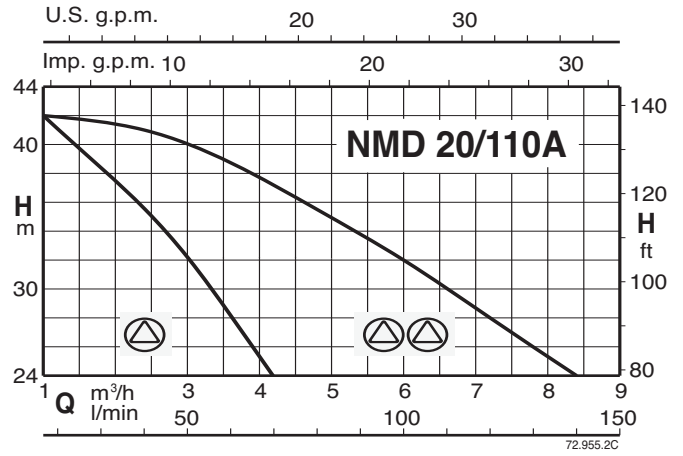
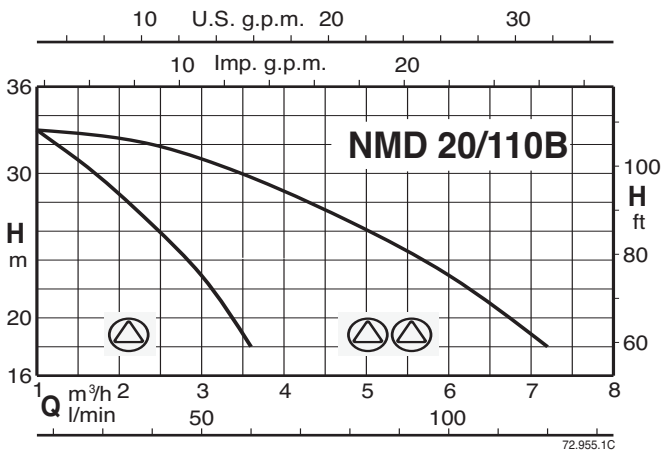
BS1V1F BSM1V1F

Mains: 400V 3~ Motor: 400V 3~	Mains: 230V 1~ Motor: 230V 3~ and 230V 1~	Motor		Manifolds		mm							Weight kg	Vessel Membrane litre	
		kW	HP	DN1	DN2	H	h1	h2	L1	L2	m1	B2		B	Membrane litre
BS1V1F 2MXP 203	BSM1V1F 2MXP 203	0,45+0,45	0,6+0,6	G 2	G 1 1/2	1100	151	206	793	355	235	625	600	41	24x2
BS1V1F 2MXP 204/A	BSM1V1F 2MXP 204/A	0,55+0,55	0,75+0,75	G 2	G 1 1/2	1100	151	206	793	355				46	24x2
BS1V1F 2MXP 205/A	BSM1V1F 2MXP 205	0,75+0,75	1+1	G 2	G 1 1/2	1100	151	206	793	355				48	24x2
BS1V1F 2MXP 403/A	BSM1V1F 2MXP 403/A	0,55+0,55	0,75+0,75	G 2	G 1 1/2	1100	151	206	793	355				46	24x2
BS1V1F 2MXP 404/B	BSM1V1F 2MXP 404/A	0,75+0,75	1+1	G 2	G 1 1/2	1100	151	206	793	355				48	24x2
BS1V1F 2MXP 405	BSM1V1F 2MXP 405	1,1+1,1	1,5+1,5	G 2	G 1 1/2	1100	151	206	793	355				54	24x2

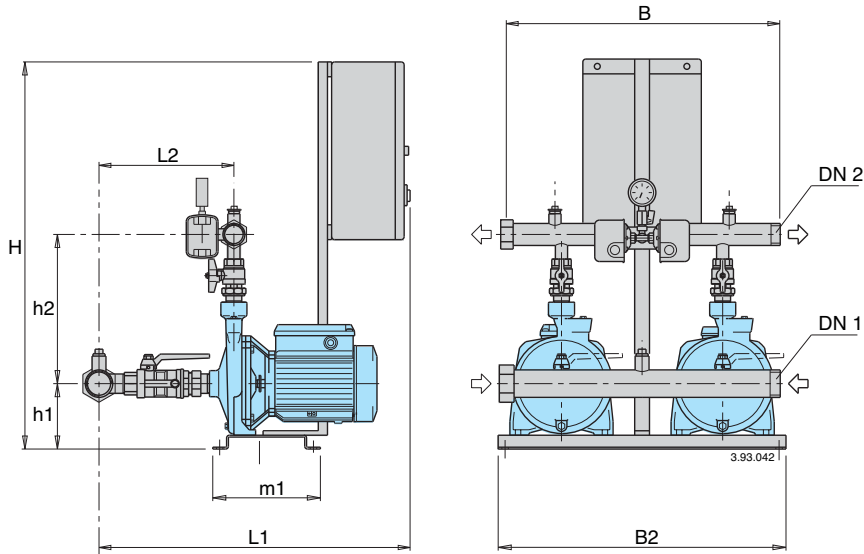
BS2V BSM2V

Mains: 400V 3~ Motor: 400V 3~	Mains: 230V 1~ Motor: 230V 3~	Motor		Manifolds		mm							Weight kg	Vessel Membrane litre	
		kW	HP	DN1	DN2	H	h1	h2	L1	L2	m1	B2		B	Membrane litre
BS2V 2MXP 203	BSM2V 2MXP 203	0,45+0,45	0,6+0,6	G 2	G 1 1/2	1100	151	206	793	355	235	625	600	41	24x2
BS2V 2MXP 204/A	BSM2V 2MXP 204/A	0,55+0,55	0,75+0,75	G 2	G 1 1/2	1100	151	206	793	355				46	24x2
BS2V 2MXP 205/A	BSM2V 2MXP 205	0,75+0,75	1+1	G 2	G 1 1/2	1100	151	206	793	355				48	24x2
BS2V 2MXP 403/A	BSM2V 2MXP 403/A	0,55+0,55	0,75+0,75	G 2	G 1 1/2	1100	151	206	793	355				46	24x2
BS2V 2MXP 404/B	BSM2V 2MXP 404/A	0,75+0,75	1+1	G 2	G 1 1/2	1100	151	206	793	355				48	24x2
BS2V 2MXP 405	BSM2V 2MXP 405	1,1+1,1	1,5+1,5	G 2	G 1 1/2	1100	151	206	793	355				54	24x2

Coverage chart



Characteristic, dimensions and weights



BS2F BSM2F

Mains: 400V 3~ Motor: 400V 3~	Mains: 230V 1~ Motor: 230V 1~	Motor		Q max* l/min	Pres. switch setting		Manifolds		mm										Weight kg	Vessel Mem. litre	Vessel litre
		kW	HP		bar	bar	DN1	DN2	H	h1	h2	L1	L2	m1	B2	B					
BS2F 2NMD 20/110B/A	BSM2F 2NMDM 20/110B/A	0,45+0,45	0,6+0,6	120	2,0÷3,0	1,7÷2,7	G2	G 1 1/2	840	129	277	670	315						51	24x2	100
BS2F 2NMD 20/110A/B	BSM2F 2NMDM 20/110A/A	0,75+0,75	1+1	130	2,8÷4,0	2,4÷3,6	G2	G 1 1/2	840	129	277	670	315						55	60	100
BS2F 2NM 2/A/B	BSM2F 2NMM 2/A/A	0,75+0,75	1+1	200	2,0÷3,0	1,7÷2,7	G2	G 1 1/2	840	129	295	620	262						54	80	200
BS2F 2NMD 20/140B/A	BSM2F 2NMDM 20/140BE	1,1+1,1	1,5+1,5	160	3,4÷4,9	3,2÷4,7	G2	G 1 1/2	840	146	295	670	320						72	80	200
	BSM2F 2NMDM 20/140AE	1,5+1,5	2+2	160	4,0÷5,3	3,7÷5,0	G2	G 1 1/2	840	146	295	670	320	235	625	600			75	100	200
BS2F 2NMD 20/140A/A		1,5+1,5	2+2	180	5,0÷6,3	4,7÷6,0	G2	G 1 1/2	840	146	295	670	320						77	100	200
BS2F 2NM 3/C/A	BSM2F 2NMM 3/CE	1,1+1,1	1,5+1,5	200	2,5÷3,5	2,2÷3,2	G2	G 1 1/2	840	146	325	650	267						71	100	200
	BSM2F 2NMM 3/BE	1,5+1,5	2+2	200	3,0÷4,0	2,7÷3,7	G2	G 1 1/2	840	146	325	650	267						75	100	300
BS2F 2NM 3/B/A		1,5+1,5	2+2	270	3,2÷4,5	2,9÷4,2	G2	G 1 1/2	840	146	325	650	267						76	100	300
BS2F 2NM 3/A/B		2,2+2,2	3+3	280	4,0÷5,3	3,7÷5,0	G2	G 1 1/2	840	146	325	650	267						78	200	300

* Maximum pumps flow at minimum set pressure of 2nd pressure switch.

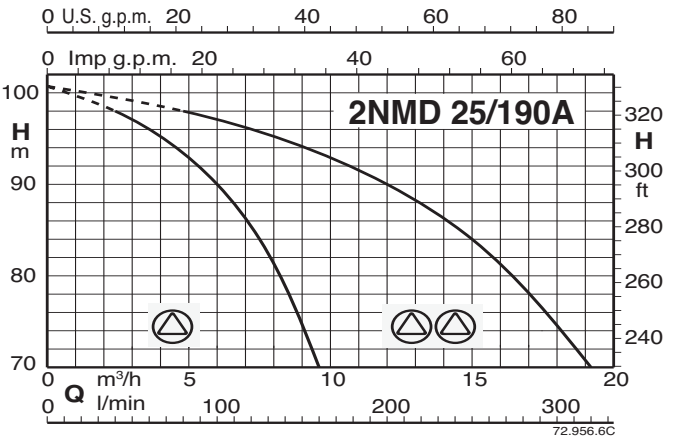
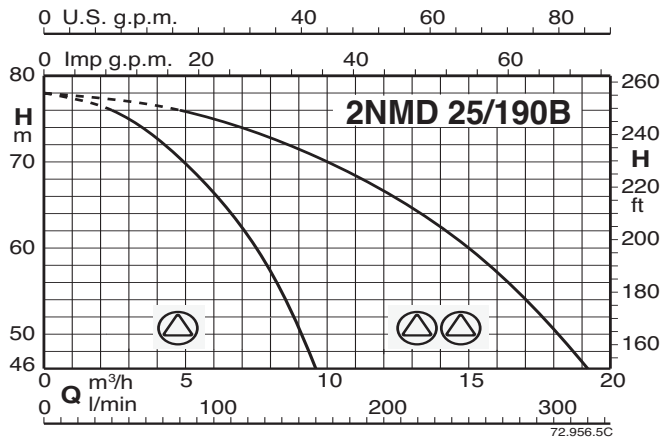
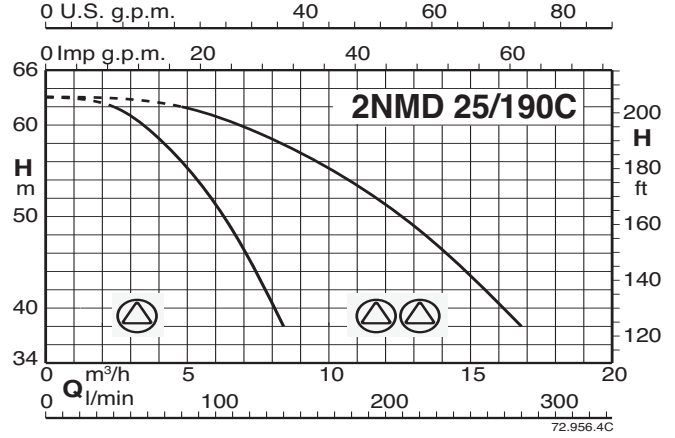
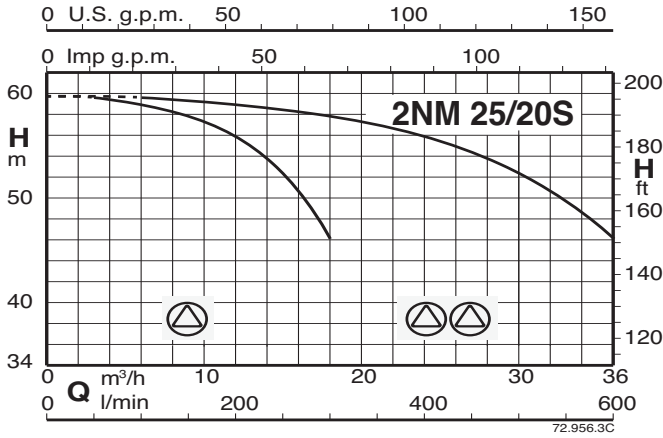
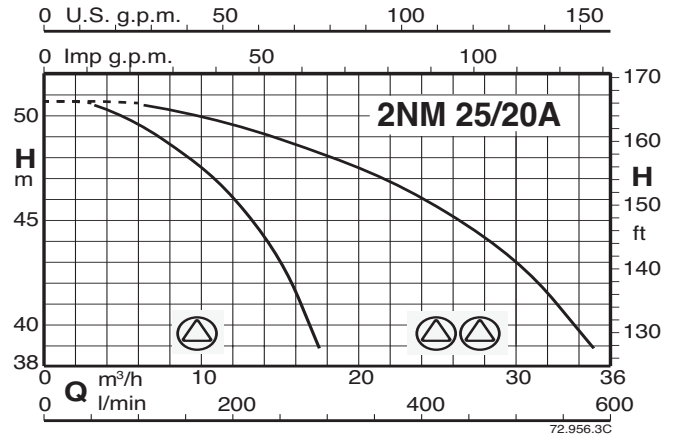
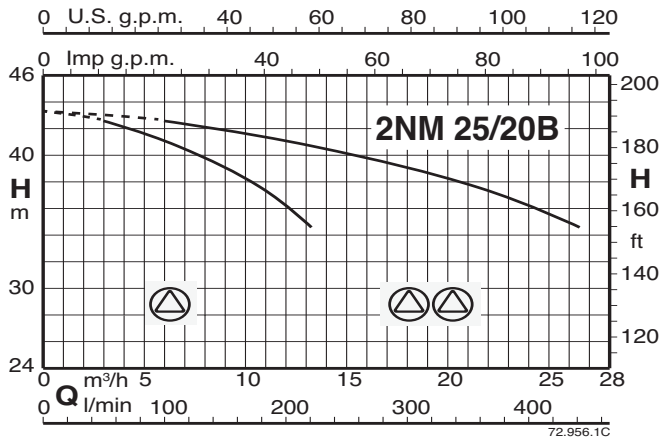
BS1V1F BSM1V1F

Mains: 400V 3~ Motor: 400V 3~	Mains: 230V 1~ Motor: 230V 3~ and 230V 1~	Motor		Q max* l/min	Pres. switch setting		Manifolds		mm										Weight kg	Vessel Membrane litre	
		kW	HP		bar	bar	DN1	DN2	H	h1	h2	L1	L2	m1	B2	B					
BS1V1F 2NMD 20/110B/A	BSM1V1F 2NMD 20/110B/A	0,45+0,45	0,6+0,6	120	2,0÷3,0	1,7÷2,7	G2	G 1 1/2	840	129	277	670	315						51	24x2	
BS1V1F 2NMD 20/110A/B	BSM1V1F 2NMD 20/110A/A	0,75+0,75	1+1	130	2,8÷4,0	2,4÷3,6	G2	G 1 1/2	840	129	277	670	315						55	24x2	
BS1V1F 2NM 2/A/B	BSM1V1F 2NM 2/A/A	0,75+0,75	1+1	200	2,0÷3,0	1,7÷2,7	G2	G 1 1/2	840	129	295	620	262						54	24x2	
BS1V1F 2NMD 20/140B/A	BSM1V1F 2NMD 20/140BE	1,1+1,1	1,5+1,5	160	3,4÷4,9	3,2÷4,7	G2	G 1 1/2	840	146	295	670	320						72	24x2	
	BSM1V1F 2NMD 20/140AE	1,5+1,5	2+2	160	4,0÷5,3	3,7÷5,0	G2	G 1 1/2	840	146	295	670	320	235	625	600			75	24x2	
BS1V1F 2NMD 20/140A/A		1,5+1,5	2+2	180	5,0÷6,3	4,7÷6,0	G2	G 1 1/2	840	146	295	670	320						77	24x2	
BS1V1F 2NM 3/C/A	BSM1V1F 2NM 3/CE	1,1+1,1	1,5+1,5	200	2,5÷3,5	2,2÷3,2	G2	G 1 1/2	840	146	325	650	267						71	24x2	
	BSM1V1F 2NM 3/BE	1,5+1,5	2+2	200	3,0÷4,0	2,7÷3,7	G2	G 1 1/2	840	146	325	650	267						75	24x2	
BS1V1F 2NM 3/B/A		1,5+1,5	2+2	270	3,2÷4,5	2,9÷4,2	G2	G 1 1/2	840	146	325	650	267						76	24x2	
BS1V1F 2NM 3/A/B		2,2+2,2	3+3	280	4,0÷5,3	3,7÷5,0	G2	G 1 1/2	840	146	325	650	267						78	24x2	

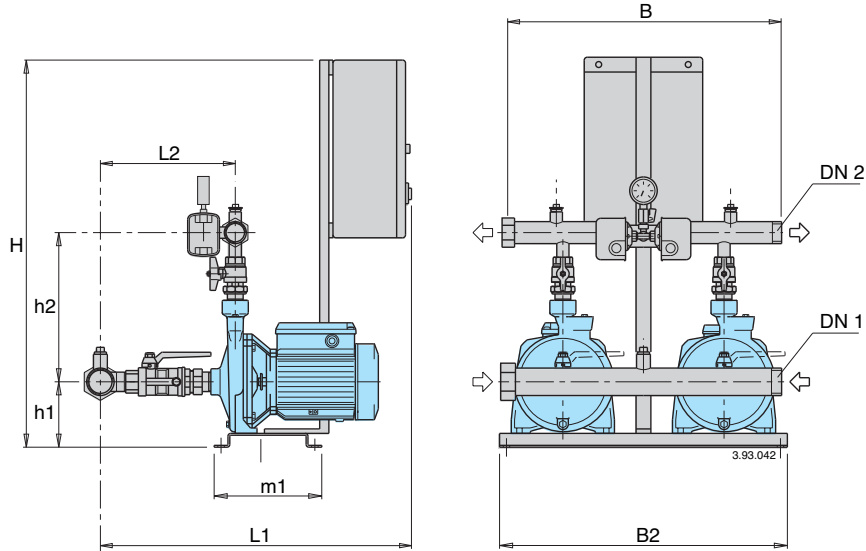
BS2V BSM2V

Mains: 400V 3~ Motor: 400V 3~	Mains: 230V 1~ Motor: 230V 3~	Motor		Q max* l/min	Pres. switch setting		Manifolds		mm										Weight kg	Vessel Membrane litre	
		kW	HP		bar	bar	DN1	DN2	H	h1	h2	L1	L2	m1	B2	B					
BS2V 2NMD 20/110B/A	BSM2V 2NMD 20/110B/A	0,45+0,45	0,6+0,6	120	2,0÷3,0	1,7÷2,7	G2	G 1 1/2	840	129	277	670	315						51	24x2	
BS2V 2NMD 20/110A/B	BSM2V 2NMD 20/110A/A	0,75+0,75	1+1	130	2,8÷4,0	2,4÷3,6	G2	G 1 1/2	840	129	277	670	315						55	24x2	
BS2V 2NM 2/A/B	BSM2V 2NM 2/A/A	0,75+0,75	1+1	200	2,0÷3,0	1,7÷2,7	G2	G 1 1/2	840	129	295	620	262						54	24x2	
BS2V 2NMD 20/140B/A	BSM2V 2NMD 20/140BE	1,1+1,1	1,5+1,5	160	3,4÷4,9	3,2÷4,7	G2	G 1 1/2	840	146	295	670	320						72	24x2	
	BSM2V 2NMD 20/140AE	1,5+1,5	2+2	160	4,0÷5,3	3,7÷5,0	G2	G 1 1/2	840	146	295	670	320	235	625	600			75	24x2	
BS2V 2NMD 20/140A/A		1,5+1,5	2+2	180	5,0÷6,3	4,7÷6,0	G2	G 1 1/2	840	146	295	670	320						77	24x2	
BS2V 2NM 3/C/A	BSM2V 2NM 3/CE	1,1+1,1	1,5+1,5	200	2,5÷3,5	2,2÷3,2	G2	G 1 1/2	840	146	325	650	267						71	24x2	
	BSM2V 2NM 3/BE	1,5+1,5	2+2	200	3,0÷4,0	2,7÷3,7	G2	G 1 1/2	840	146	325	650	267						75	24x2	
BS2V 2NM 3/B/A		1,5+1,5	2+2	270	3,2÷4,5	2,9÷4,2	G2	G 1 1/2	840	146	325	650	267						76	24x2	
BS2V 2NM 3/A/B		2,2+2,2	3+3	280	4,0÷5,3	3,7÷5,0	G2	G 1 1/2	840	146	325	650	267						78	24x2	

Coverage chart



Characteristic, dimensions and weights



BS2F

Mains: 400V 3~ Motor: 400V 3~	Motor		Q max* l/min	Pres. switch setting		Manifolds		mm						Weight kg	Vessel			
	kW	HP		bar	bar	DN1	DN2	H	h1	h2	L1	L2	m1		B2	B	Mem. litre	Vessel litre
BS2F 2NM 25/20B/C	2,2+2,2	3+3	400	3,0÷4,0	2,7÷3,7	G 2 1/2	G 2	840	160	330	725	373	235	625	600	87	300	500
BS2F 2NM 25/20A/B	3+3	4+4	440	3,8÷4,8	3,5÷4,5	G 2 1/2	G 2	840	160	330	725	373				106	500	800
BS2F 2NM 25/20S/C	4+4	5,5+5,5	560	4,0÷5,5	3,5÷5,0	G 2 1/2	G 2	840	160	330	725	373				114	500	800
BS2F 2NMD 25/190C/B	2,2+2,2	3+3	280	4,3÷5,8	3,8÷5,3	G 2 1/2	G 2	840	175	330	760	407				108	200	300
BS2F 2NMD 25/190B/A	3+3	4+4	300	5,0÷7,0	4,5÷6,5	G 2 1/2	G 2	840	175	330	760	407				123	200	300
BS2F 2NMD 25/190A/B	4+4	5,5+5,5	320	7,5÷9,0	7,0÷8,5	G 2 1/2	G 2	840	175	330	760	407				132	300	500

* Maximum pumps flow at minimum set pressure of 2nd pressure switch.

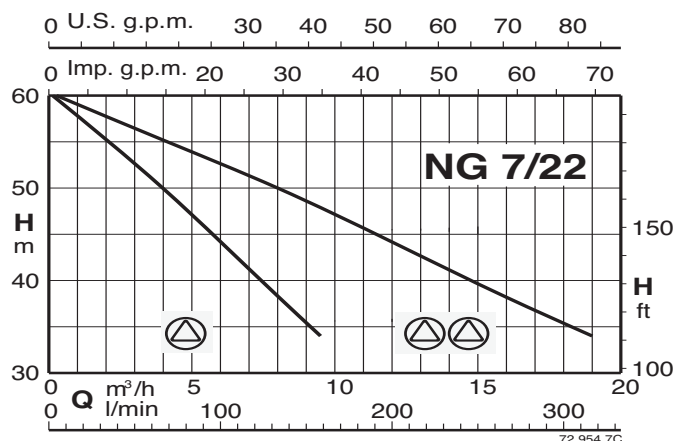
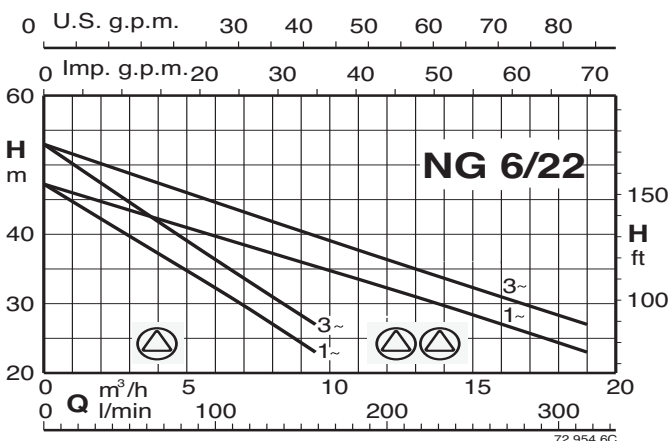
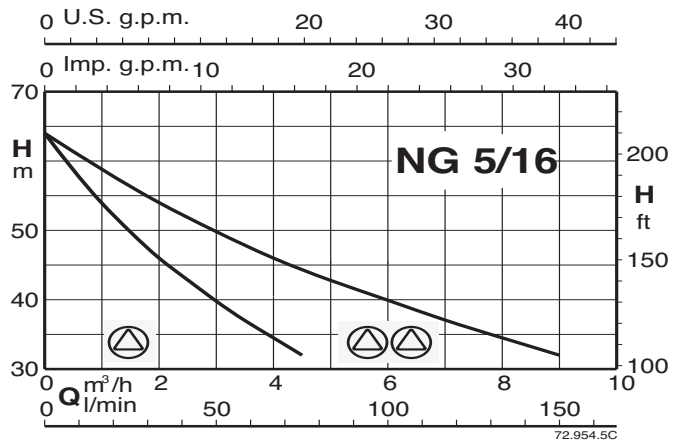
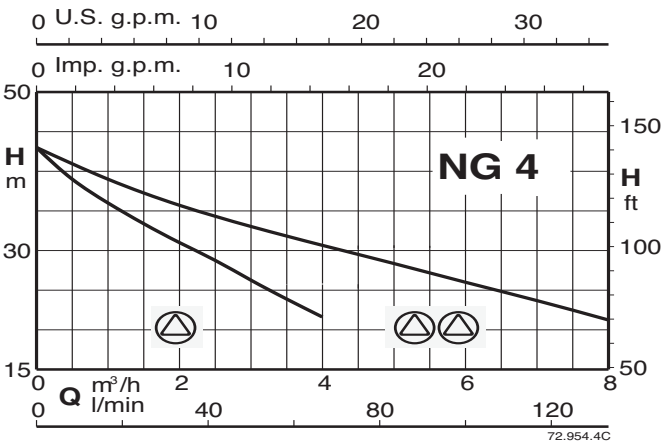
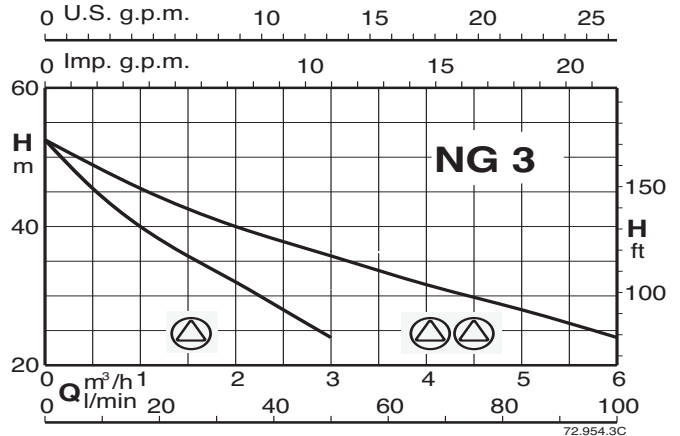
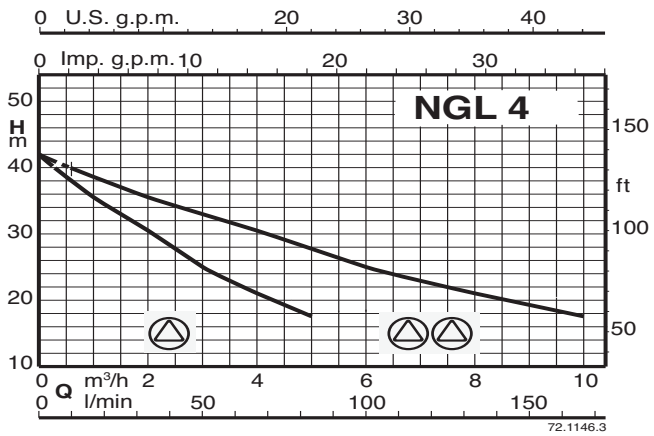
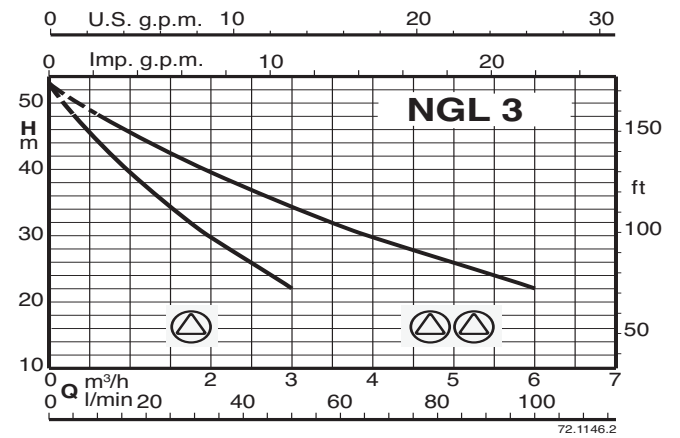
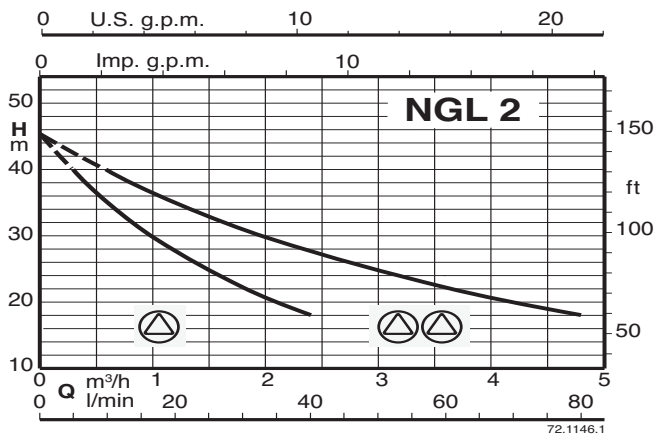
BS1V1F

Mains: 400V 3~ Motor: 400V 3~	Motor		Q max* l/min	Pres. switch setting		Manifolds		mm						Weight kg	Vessel		
	kW	HP		bar	bar	DN1	DN2	H	h1	h2	L1	L2	m1		B2	B	Mem. litre
BS1V1F 2NM 25/20B/C	2,2+2,2	3+3	400	3,0÷4,0	2,7÷3,7	G 2 1/2	G 2	840	160	330	725	373	235	625	600	87	24x2
BS1V1F 2NM 25/20A/B	3+3	4+4	440	3,8÷4,8	3,5÷4,5	G 2 1/2	G 2	840	160	330	725	373				106	24x2
BS1V1F 2NM 25/20S/C	4+4	5,5+5,5	560	4,0÷5,5	3,5÷5,0	G 2 1/2	G 2	840	160	330	725	373				114	24x2
BS1V1F 2NMD 25/190C/B	2,2+2,2	3+3	280	4,3÷5,8	3,8÷5,3	G 2 1/2	G 2	840	175	330	760	407				108	24x2
BS1V1F 2NMD 25/190B/A	3+3	4+4	300	5,0÷7,0	4,5÷6,5	G 2 1/2	G 2	840	175	330	760	407				123	24x2
BS1V1F 2NMD 25/190A/B	4+4	5,5+5,5	320	7,5÷9,0	7,0÷8,5	G 2 1/2	G 2	840	175	330	760	407				132	24x2

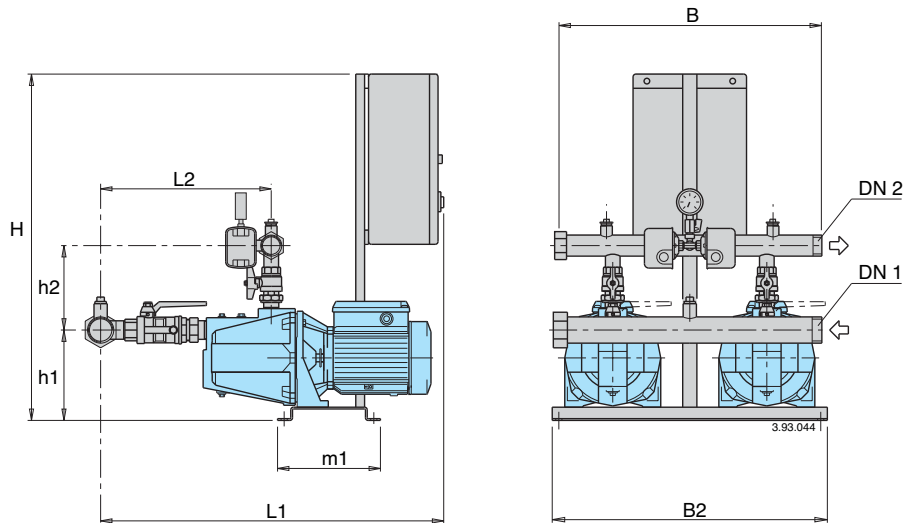
BS2V

Mains: 400V 3~ Motor: 400V 3~	Motor		Q max* l/min	Pres. switch setting		Manifolds		mm						Weight kg	Vessel		
	kW	HP		bar	bar	DN1	DN2	H	h1	h2	L1	L2	m1		B2	B	Mem. litre
BS2F 2NM 25/20B/C	2,2+2,2	3+3	400	3,0÷4,0	2,7÷3,7	G 2 1/2	G 2	840	160	330	725	373	235	625	600	87	24x2
BS2F 2NM 25/20A/B	3+3	4+4	440	3,8÷4,8	3,5÷4,5	G 2 1/2	G 2	840	160	330	725	373				106	24x2
BS2F 2NM 25/20S/C	4+4	5,5+5,5	560	4,0÷5,5	3,5÷5,0	G 2 1/2	G 2	840	160	330	725	373				114	24x2
BS2F 2NMD 25/190C/B	2,2+2,2	3+3	280	4,3÷5,8	3,8÷5,3	G 2 1/2	G 2	840	175	330	760	407				108	24x2
BS2F 2NMD 25/190B/A	3+3	4+4	300	5,0÷7,0	4,5÷6,5	G 2 1/2	G 2	840	175	330	760	407				123	24x2
BS2F 2NMD 25/190A/B	4+4	5,5+5,5	320	7,5÷9,0	7,0÷8,5	G 2 1/2	G 2	840	175	330	760	407				132	24x2

Coverage chart



Characteristic, dimensions and weights



BS2F BSM2F

Mains: 400V 3~ Motor: 400V 3~	Mains: 230V 1~ Motor: 230V 1~	Motor		Q max* l/min	Pres. switch setting		Manifolds		mm							Weight kg	Vessel		
		kW	HP		bar	bar	DN1	DN2	H	h1	h2	L1	L2	m1	B2		B	Mem. litre	Vessel litre
BS2F 2NGL 2	BSM2F 2NGLM 2	0,45+0,45	0,6+0,6	70	2,4÷3,6	2,0÷3,2	G 2	G 1 1/2	840	151	206	793	355				42	24x2	100
BS2F 2NGL 3/A	BSM2F 2NGLM 3/A	0,55+0,55	0,75+0,75	90	2,8÷4,0	2,4÷3,6	G 2	G 1 1/2	840	151	206	793	355	235	625	600	46	24x2	100
BS2F 2NGL 4/B	BSM2F 2NGLM 4/A	0,75+0,75	1+1	160	2,2÷3,4	1,8÷3,0	G 2	G 1 1/2	840	151	206	793	355				49	24x2	100

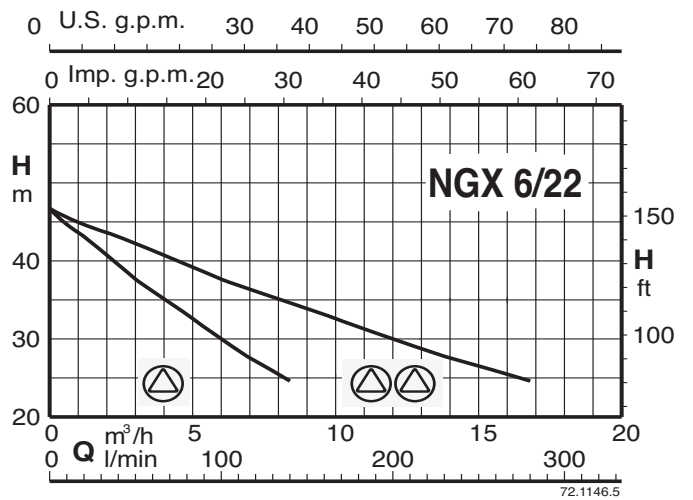
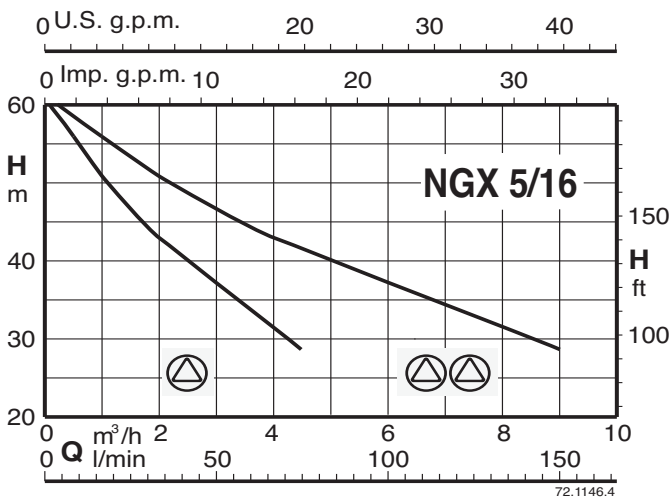
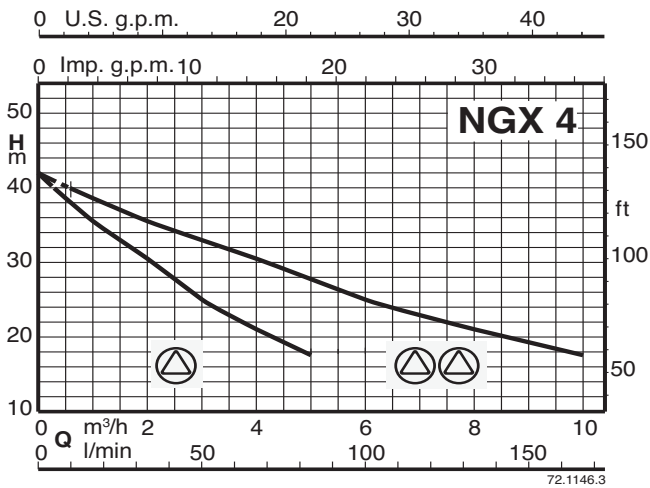
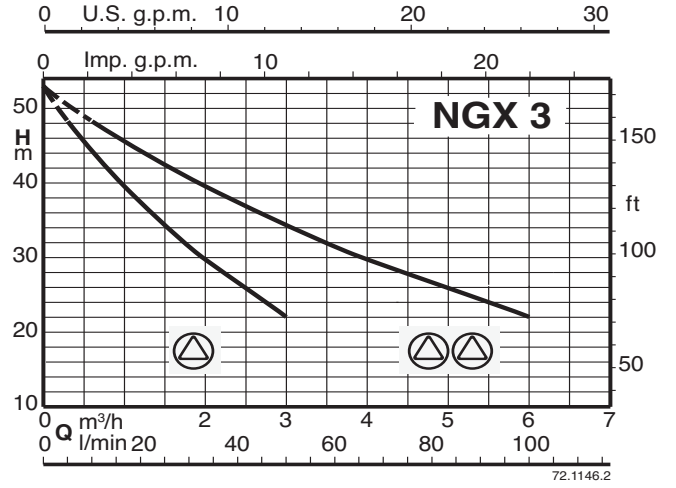
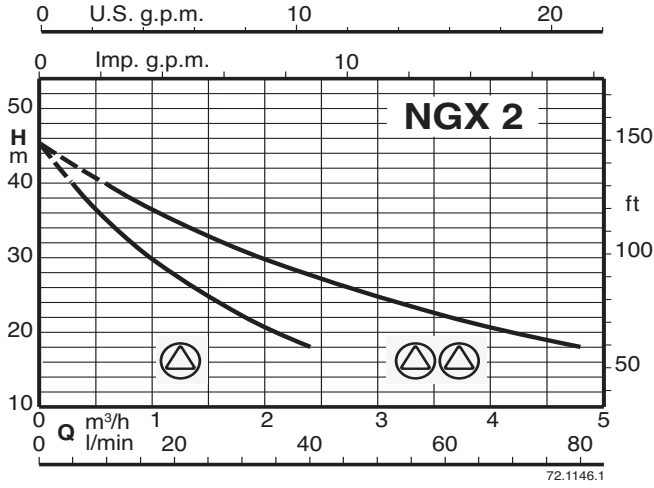
* Maximum pumps flow at minimum set pressure of 2nd pressure switch.

BS2F BSM2F

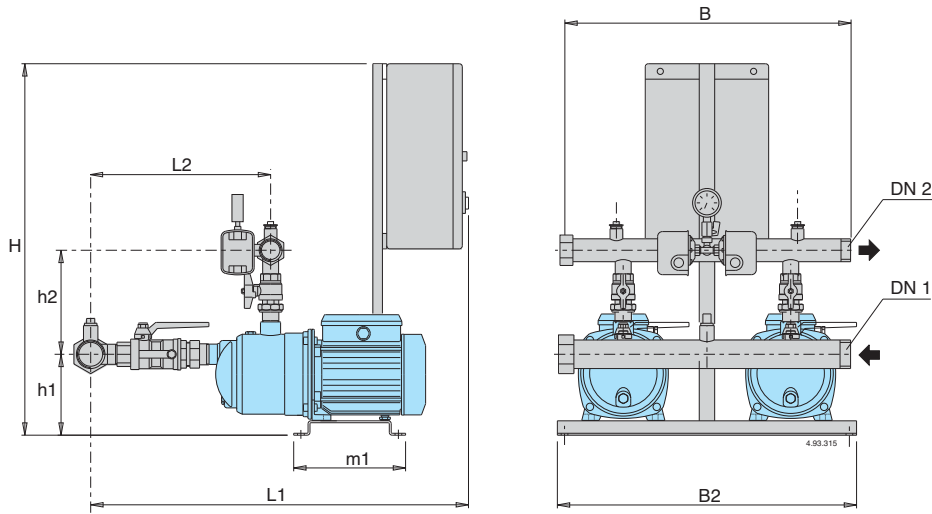
Mains: 400V 3~ Motor: 400V 3~	Mains: 230V 1~ Motor: 230V 1~	Motor		Q max* l/min	Pres. switch setting		Manifolds		mm							Weight kg	Vessel		
		kW	HP		bar	bar	DN1	DN2	H	h1	h2	L1	L2	m1	B2		B	Mem. litre	Vessel litre
BS2F 2NG 3/A	BSM2F 2NGM 3/A	0,55+0,55	0,75+0,75	95	3,0÷4,2	2,5÷3,7	G2	G 1 1/2	840	184	188	775	345				61	24x2	100
BS2F 2NG 4/B	BSM2F 2NGM 4/A	0,75+0,75	1+1	130	2,4÷3,6	2,0÷3,2	G2	G 1 1/2	840	184	188	775	345				62	24x2	100
BS2F 2NG 5-16/A	BSM2F 2NGM 5-16E	1,1+1,1	1,5+1,5	140	3,8÷5,3	3,4÷4,9	G 2 1/2	G 1 1/2	840	200	202	935	470	235	625	600	86	24x2	100
	BSM2F 2NGM 6-22E	1,5+1,5	2+2	290	3,0÷4,2	2,5÷3,7	G 2 1/2	G 1 1/2	840	200	202	935	470				89	100	200
BS2F 2NG 6-22/A		1,5+1,5	2+2	290	3,2÷4,5	2,8÷4,0	G 2 1/2	G 1 1/2	840	200	202	935	470				90	100	200
BS2F 2NG 7-22/B		2,2+2,2	3+3	300	3,8÷5,3	3,4÷4,9	G 2 1/2	G 1 1/2	840	200	202	935	470				92	200	300

* Maximum pumps flow at minimum set pressure of 2nd pressure switch.

Coverage chart



Characteristic, dimensions and weights



BS2F

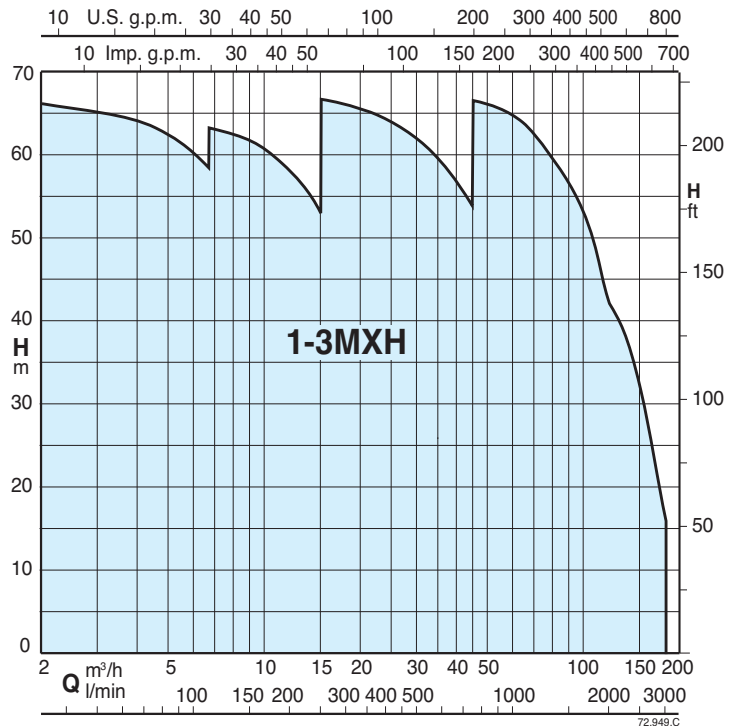
BSM2F

Mains: 400V 3~ Motor: 400V 3~	Mains: 230V 1~ Motor: 230V 1~	Motor		Q max* l/min	Pres. switch setting		Manifolds		mm							Weight kg	Vessel		
		kW	HP		bar	bar	DN1	DN2	H	h1	h2	L1	L2	m1	B2		B	Mem. litre	Vessel litre
BS2F 2NGX 2	BSM2F 2NGXM 2	0,45+0,45	0,6+0,6	70	2,4÷3,6	2,0÷3,2	G 2	G 1 1/2	840	151	206	793	355				42	24x2	100
BS2F 2NGX 3/A	BSM2F 2NGXM 3/A	0,55+0,55	0,75+0,75	90	2,8+4,0	2,4+3,6	G 2	G 1 1/2	840	151	206	793	355				46	24x2	100
BS2F 2NGX 4/B	BSM2F 2NGXM 4/A	0,75+0,75	1+1	160	2,2÷3,4	1,8÷3,0	G 2	G 1 1/2	840	151	206	793	355	235	625	600	49	24x2	100
BS2F 2NGX 5-16/A	BSM2F 2NGXM 5-16	1,1+1,1	1,5+1,5	140	3,4+4,9	3,0+4,5	G 2	G 1 1/2	840	187	212	836	380				61	24x2	100
BS2F 2NGX 6-22/A	BSM2F 2NGXM 6-22	1,5+1,5	2+2	280	3,0+4,2	2,5+3,7	G 2	G 1 1/2	840	187	212	836	380				65	100	200

* Maximum pumps flow at minimum set pressure of 2nd pressure switch.



Coverage chart



Operation

BS 1-6F Pressure boosting sets with 1 to 6 fixed speed pump.
Sets with 4,5 and 6 pumps on request.
Depending on the reduction of the pressure in the system, the pressure switches determine the starting up of the pumps in sequence and the microprocessor alternates the starts.

BS1V2-5F Pressure boosting sets with 1 variable speed pump (with frequency converter into the control panel) and from 1 to 5 fixed speed pumps
Sets with 4,5 and 6 pumps on request.
According to the water consumption, one or more pumps start, one at variable speed and the others at fixed speed, to grant the water quantity required at the set pressure.

BS1-6V Pressure boosting sets with 1 to 6 variable speed pumps (with frequency converter into the control panel).
Sets with 4,5 and 6 pumps on request.
Depending on water consumption, one or more pumps are activated, all at variable speed, in order to guarantee the quantity of water required at the set pressure.

Construction

- Automatic pressure boosting plant consisting of 1 horizontal multi-stage close coupled pump complete with ball valve on the delivery side, suitable for installation of one cylindrical pressure vessel.
- Automatic pressure boosting plant consisting of 2 to 6 horizontal multi-stage pumps complete with ball, non return valve on the suction side and ball valves on the delivery side.
Suction and delivery manifolds are in AISI 304.
Connections are located on the delivery manifold for the installation of 20 litres cylindrical vessels:
 - 2 vessels for 2-pump sets.
 - 3 vessels for 3-pump sets.

Electrical control boards:

- with microprocessor for fixed speed pump units (see page 504). Motor starting is D.O.L. up to 5,5 kW and Y/Δ for power rating 7,5 kW.
- with frequency converter for variable speed pump units (see page 505).

The unit includes one pressure gauge and three adjustable differential pressure switches or pressure transducer (for sets with frequency converter).

Applications

To supply water in civil and industrial buildings.
As pressure boosting pump to increase water pressure when needed (follow local rules).

Motors

- 2-pole induction motors, 50 Hz, $n \approx 2900$ rpm, suitable for operation with frequency converter.
- Three-phase 230/400V $\pm 10\%$ up to 3 kW;
400/690V $\pm 10\%$ for 4 kW to 7,5 kW;
 - Single-phase 230 V $\pm 10\%$, with thermal protector.
- Insulation class F.
Protection IP 54.
Constructed in accordance with: IEC 60034.
Other voltages and frequencies on request.

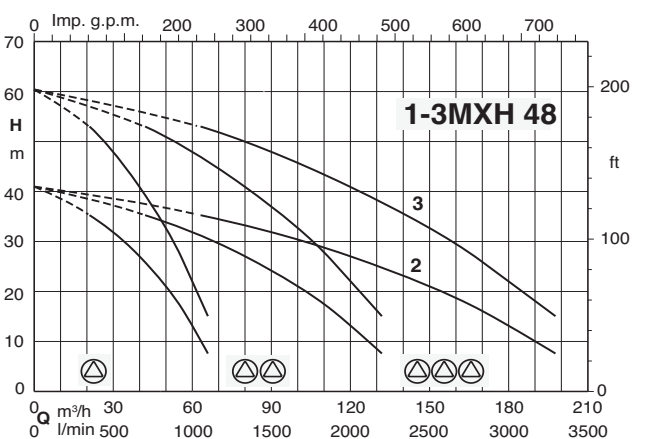
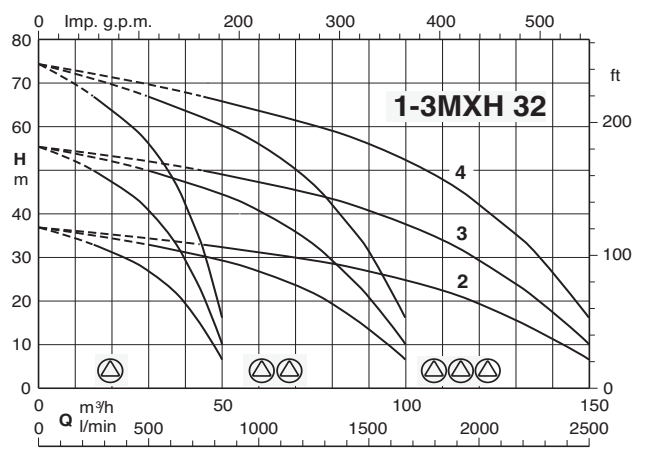
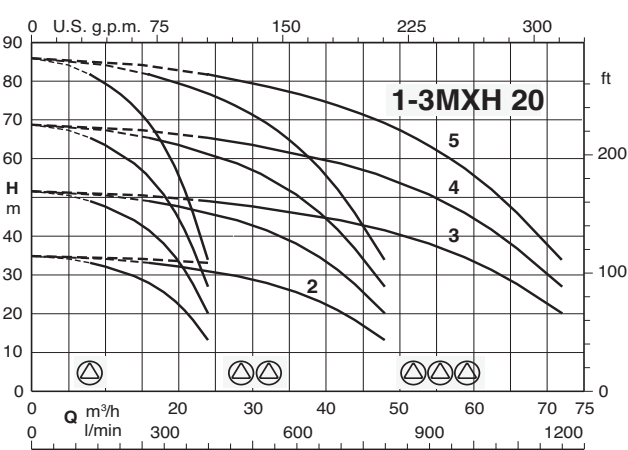
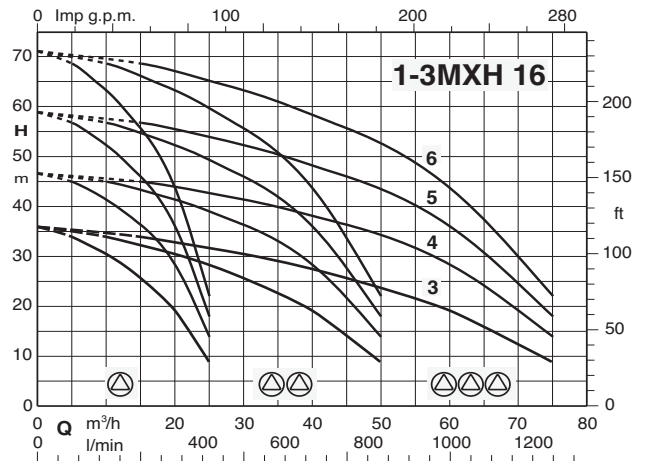
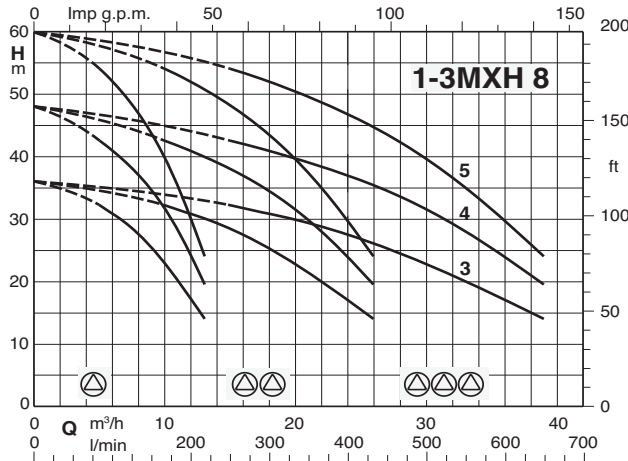
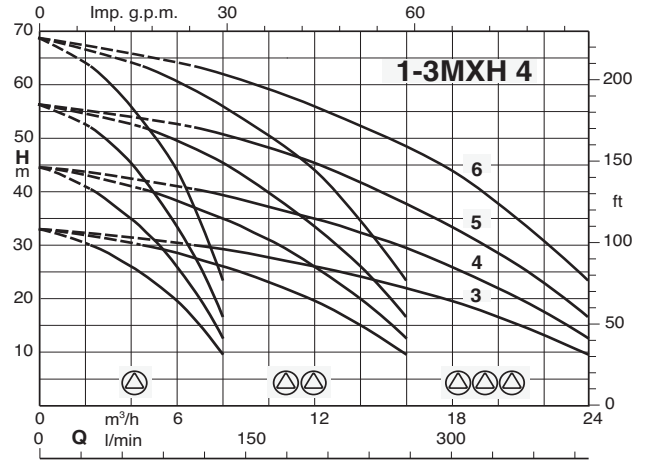
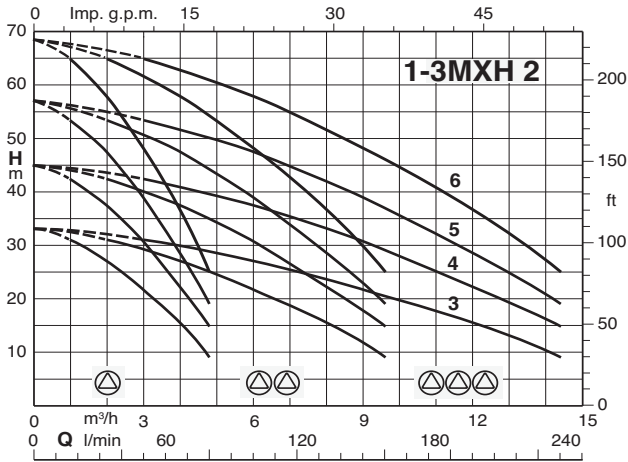
Vessels on request

When installing the unit, connect in the delivery section to a diaphragm or galvanised tank.
The recommended sized are shown in the following page.

Special features on request

Pressure boosting sets with 4,5 and 6 pumps.

Coverage chart



Performance

BS1F BSM1F

Mains: 400V 3~ Motor: 400V 3~	Mains: 230V 1~ Motor: 230V 1~	Motor		Pres. switch 1 bar		Maximum capacity *		Vessel Membrane litre	Vessel litre
		kW	HP	min	max	Q l/min	H m		
BS1F 1MXH 203E	BSM1F 1MXHM 203E	0,45	0,6	1,4	2,8	70	14	24	100
BS1F 1MXH 204/A	BSM1F 1MXHM 204/A	0,55	0,75	2,8	4	55	29	40	100
BS1F 1MXH 205/B	BSM1F 1MXHM 205/A	0,75	1	3,5	5	56	36	50	100
BS1F 1MXH 206/C	BSM1F 1MXHM 206	1,1	1,5	4	6	61	41	50	100
BS1F 1MXH 403/A	BSM1F 1MXHM 403/A	0,55	0,75	1,4	2,6	122	14	60	100
BS1F 1MXH 404/B	BSM1F 1MXHM 404/A	0,75	1	2,4	3,6	107	24	80	200
BS1F 1MXH 405/C	BSM1F 1MXHM 405	1,1	1,5	3,4	4,9	102	35	100	200
BS1F 1MXH 406/A	BSM1F 1MXHM 406	1,5	2	4	6	111	41	100	200
BS1F 1MXH 803/A	BSM1F 1MXHM 803	1,1	1,5	1,6	2,8	209	16	100	300
BS1F 1MXH 804/A	BSM1F 1MXHM 804	1,5	2	2,8	4	186	29	200	300
BS1F 1MXH 805/B		1,8	2,5	3,5	5	186	36	200	500
BS1F 1MXH 1603/B		1,8	2,5	1,5	3	382	15	300	500
BS1F 1MXH 1604/A		3	4	2,8	4	353	29	500	1000
BS1F 1MXH 1605/B		3,7	5	3,8	5,3	331	39	500	1000
BS1F 1MXH 1606/B		4	5,5	4,5	6,5	329	46	500	800
BS1F 1MXH 2002/A		2,2	3	1,5	2,8	399	15	300	500
BS1F 1MXH 2003		3	4	3	4,5	367	31	500	1000
BS1F 1MXH 2004/A		4	5,5	4,4	5,9	348	45	1000	1500
BS1F 1MXH 2005		5,5	7,5	5,5	7	343	56	1000	1500
BS1F 1MXH-F 3202/B		4	5,5	1,5	3	770	15	1000	2000
BS1F 1MXH-F 3203/A		5,5	7,5	3	4,5	682	31	1000	2000
BS1F 1MXH-F 3204/A		7,5	10	4	6	725	41	1500	3000
BS1F 1MXH-F 4802/A		5,5	7,5	1,5	3	975	15	1500	2000
BS1F 1MXH-F 4803/A		7,5	10	3	4,5	886	31	2000	3000

* Maximum pumps flow at minimum setting pressure switch.

BS2F BSM2F

Mains: 400V 3~ Motor: 400V 3~	Alimentazione 230V 1~ Motore 230V 1~	Motor		Pres. switch 1 bar		Pres. switch 2 bar		Maximum capacity *		Vessel Membrane litre	Vessel litre
		kW	HP	min	max	min	max	Q l/min	H m		
BS2F 2MXH 203E	BSM2F 2MXHM 203E	0,45 x2	0,6 x2	1,4	2,8	1	2,4	156	10	24	100
BS2F 2MXH 204/A	BSM2F 2MXHM 204/A	0,55 x2	0,75 x2	2,8	4	2,4	3,6	128	24	40	100
BS2F 2MXH 205/B	BSM2F 2MXHM 205/A	0,75 x2	1 x2	3,5	5	3	4,5	130	31	50	100
BS2F 2MXH 206/C	BSM2F 2MXHM 206	1,1 x2	1,5 x2	4	6	3,5	5,5	136	36	50	100
BS2F 2MXH 403/A	BSM2F 2MXHM 403/A	0,55 x2	0,75 x2	1,4	2,6	1	2,2	264	10	60	100
BS2F 2MXH 404/B	BSM2F 2MXHM 404/A	0,75 x2	1 x2	2,4	3,6	2	3,2	237	20	80	200
BS2F 2MXH 405/C	BSM2F 2MXHM 405	1,1 x2	1,5 x2	3,4	4,9	3	4,5	224	31	100	200
BS2F 2MXH 406/A	BSM2F 2MXHM 406	1,5 x2	2 x2	4	6	3,5	5,5	241	36	100	200
BS2F 2MXH 803/A	BSM2F 2MXHM 803	1,1 x2	1,5 x2	1,6	2,8	1,2	2,4	442	12	100	300
BS2F 2MXH 804/A	BSM2F 2MXHM 804	1,5 x2	2 x2	2,8	4	2,4	3,6	406	24	200	300
BS2F 2MXH 805/B		1,8 x2	2,5 x2	3,5	5	3	4,5	405	31	200	500
BS2F 2MXH 1603/B		1,8 x2	2,5 x2	1,5	3	1,2	2,7	805	12	300	500
BS2F 2MXH 1604/A		3 x2	4 x2	2,8	4	2,4	3,6	770	24	500	1000
BS2F 2MXH 1605/B		3,7 x2	5 x2	3,8	5,3	3,4	4,9	728	35	500	1000
BS2F 2MXH 1606/B		4 x2	5,5 x2	4,5	6,5	4	6	725	41	500	800
BS2F 2MXH 2002/A		2,2 x2	3 x2	1,5	2,8	1,2	2,5	797	12	300	500
BS2F 2MXH 2003		3 x2	4 x2	3	4,5	2,5	4	785	25	500	1000
BS2F 2MXH 2004/A		4 x2	5,5 x2	4,4	5,9	3,9	5,4	752	40	1000	1500
BS2F 2MXH 2005		5,5 x2	7,5 x2	5,5	7	5,1	6,6	725	52	1000	1500
BS2F 2MXH-F 3202/B		4 x2	5,5 x2	1,5	3	1,2	2,7	1615	12	1000	2000
BS2F 2MXH-F 3203/A		5,5 x2	7,5 x2	3	4,5	2,5	4	1498	25	1000	2000
BS2F 2MXH-F 3204/A		7,5 x2	10 x2	4	6	3,5	5,5	1549	36	1500	3000
BS2F 2MXH-F 4802/A		5,5 x2	7,5 x2	1,5	3	1,2	2,7	2064	12	1500	2000
BS2F 2MXH-F 4803/A		7,5 x2	10 x2	3	4,5	2,5	4	1946	25	2000	3000

* Maximum pumps flow at minimum setting pressure of 2nd pressure switch.

BS3F

Mains: 400V 3~ Motor: 400V 3~	Motor		Pres. switch 1 bar		Pres. switch 2 bar		Pres. switch 3 bar		Maximum capacity *		Vessel Membrane litre	Vessel litre
	kW	HP	min	max	min	max	min	max	Q l/min	H m		
BS3F 3MXH 203E	0,45 x3	0,6 x3	1,4	2,8	1	2,4	0,6	2	253	6	24	100
BS3F 3MXH 204/A	0,55 x3	0,75 x3	2,8	4	2,4	3,6	2	3,2	215	20	40	100
BS3F 3MXH 205/B	0,75 x3	1 x3	3,5	5	3	4,5	2,5	4	217	25	50	100
BS3F 3MXH 206/C	1,1 x3	1,5 x3	4	6	3,5	5,5	3	5	223	31	50	100
BS3F 3MXH 403/A	0,55 x3	0,75 x3	1,4	2,6	1	2,2	0,6	1,8	413	6	60	100
BS3F 3MXH 404/B	0,75 x3	1 x3	2,4	3,6	2	3,2	1,6	2,8	382	16	80	200
BS3F 3MXH 405/C	1,1 x3	1,5 x3	3,4	4,9	3	4,5	2,6	4,1	361	27	100	200
BS3F 3MXH 406/A	1,5 x3	2 x3	4	6	3,5	5,5	3	5	383	31	100	200
BS3F 3MXH 803/A	1,1 x3	1,5 x3	1,8	2,8	1,4	2,4	1	2	676	10	100	300
BS3F 3MXH 804/A	1,5 x3	2 x3	2,8	4	2,4	3,6	2	3,2	645	20	200	300
BS3F 3MXH 805/B	1,8 x3	2,5 x3	3,5	5	3	4,5	2,5	4	643	25	200	500
BS3F 3MXH 1603/B	1,8 x3	2,5 x3	1,5	3	1,2	2,7	0,9	2,4	1247	9	300	500
BS3F 3MXH 1604/A	3 x3	4 x3	2,8	4	2,4	3,6	2	3,2	1217	20	500	1000
BS3F 3MXH 1605/B	3,7 x3	5 x3	3,8	5,3	3,4	4,9	3	4,5	1165	31	500	1000
BS3F 3MXH 1606/B	4 x3	5,5 x3	4,5	6,5	4	6	3,5	5,5	1166	36	500	800
BS3F 3MXH 2003	3 x3	4 x3	3	4,5	2,5	4	2	3,5	1201	20	500	1000
BS3F 3MXH 2004/A	4 x3	5,5 x3	4,4	5,9	3,9	5,4	3,4	4,9	1181	35	1000	1500
BS3F 3MXH 2005	5,5 x3	7,5 x3	5,5	7	5,1	6,6	4,7	6,2	1134	47	1000	1500
BS3F 3MXH-F 3202/B	4 x3	5,5 x3	1,5	3	1,2	2,7	0,9	2,4	2486	9	1000	2000
BS3F 3MXH-F 3203/A	5,5 x3	7,5 x3	3	4,5	2,5	4	2	3,5	2389	20	1000	2000
BS3F 3MXH-F 3204/A	7,5 x3	10 x3	4	6	3,5	5,5	3	5	2429	31	1500	3000
BS3F 3MXH-F 4802/A	5,5 x3	7,5 x3	1,5	3	1,2	2,7	0,9	2,4	3237	9	1500	2000
BS3F 3MXH-F 4803/A	7,5 x3	10 x3	3	4,5	2,5	4	2	3,5	3140	20	2000	3000

* Maximum pumps flow at minimum setting pressure of 3rd pressure switch.

Performance

BS..

PUMPS Nos						PUMP TYPE	P ₂ For each pump	
1	2	3	4	5	6		kW	HP
BS1V	BS2V BS1V1F BSM1V1F* BSM2V**	BS3V BS1V2F	BS4V BS1V3F	BS5V BS1V4F	BS6V BS1V5F	MXH 203E	0,45	0,6
						MXH 204/A	0,55	0,75
						MXH 205/B	0,75	1
						MXH 206/C	1,1	1,5
						MXH 403/A	0,55	0,75
						MXH 404/B	0,75	1
						MXH 405/C	1,1	1,5
						MXH 406/A	1,5	2
						MXH 803/A	1,1	1,5
						MXH 804/A	1,5	2
						MXH 805/B	1,8	2,5
						MXH 1603/B	1,8	2,5
						MXH 1604/A	3	4
						MXH 1605/B	3,7	5
						MXH 1606/B	4	5,5
						MXH 2002/A	2,2	3
						MXH 2003	3	4
						MXH 2004/A	4	5,5
						MXH 2005	5,5	7,5
						MXH-F 3202/B	4	5,5
MXH-F 3203/A	5,5	7,5						
MXH-F 3204/A	7,5	10						
MXH-F 4802/A	5,5	7,5						
MXH-F 4803/A	7,5	10						

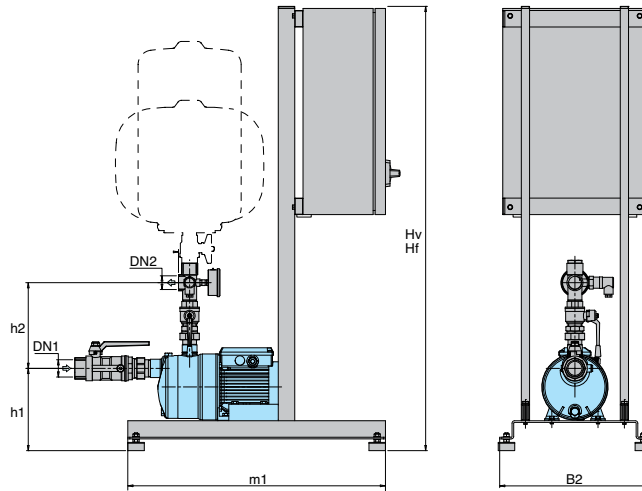
(*) SYSTEMS WITH:

- 1 variable speed pump three-phase motor
- 1 fixed speed pump single-phase motor
- Power supply to control panel 230 V single-phase

(**) Three-phase motor 230 V.

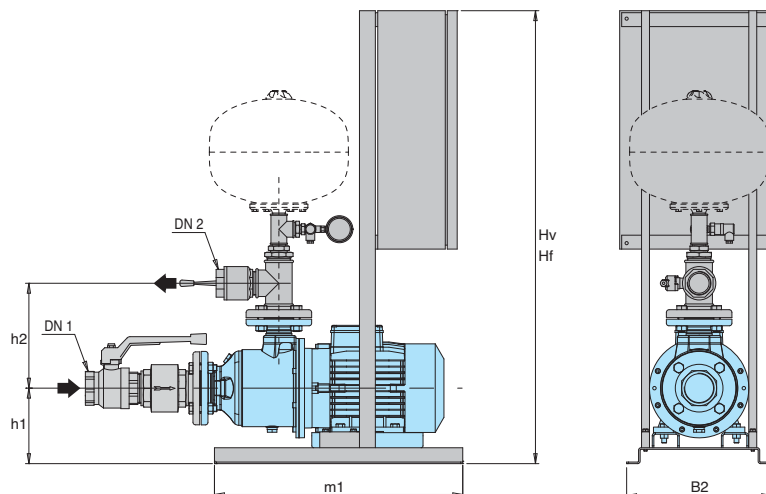
- Power supply to control panel: - 230 V three-phase
- 230 V single-phase
- Frequency converter output is always 230 V three-phase.

Dimensions and weights



TYPE	Connection		mm						weight kg
	DN 1	DN 2	Hv	Hf	h1	h2	m1	B2	
BS.. 1MXH 203E									-
BS.. 1MXH 204/A	G 1 1/4	G 1	1045	875	170	145	625	365	
BS.. 1MXH 205/B									
BS.. 1MXH 206/C									
BS.. 1MXH 403/A									
BS.. 1MXH 404/B	G 1 1/4	G 1	1045	875	170	145	625	365	
BS.. 1MXH 405/C									
BS.. 1MXH 406/A									
BS.. 1MXH 803/A									
BS.. 1MXH 804/A	G 1 1/2	G 1	1045	875	170	145	625	365	
BS.. 1MXH 805/B									
BS.. 1MXH 1603/B									
BS.. 1MXH 1604/A	G 1 1/2	G 1 1/2	1045	875	175	195	625	365	
BS.. 1MXH 1605/B									
BS.. 1MXH 1606/B									

Dimensions not binding to be verified when ordering

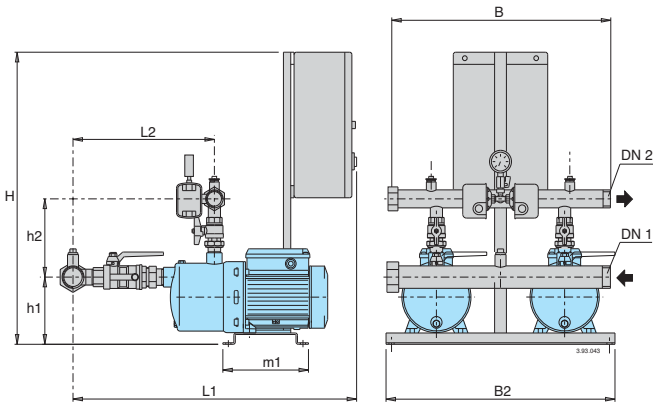


TYPE	Connection		mm						weight kg
	DN 1	DN 2	Hv	Hf	h1	h2	m1	B2	
BS.. 1MXH 2002/A									
BS.. 1MXH 2003	G 2	G 1 1/2	1045	875	195	197	625	365	
BS.. 1MXH 2004/A									
BS.. 1MXH 2005			1145	1145					
BS.. 1MXH 3202/B									
BS.. 1MXH 3203/A	65	50	1045	875	195	265	625	365	
BS.. 1MXH 3204/A									
BS.. 1MXH 4802/A									
BS.. 1MXH 4803/A	80	65	1145	1145	195	275	625	365	

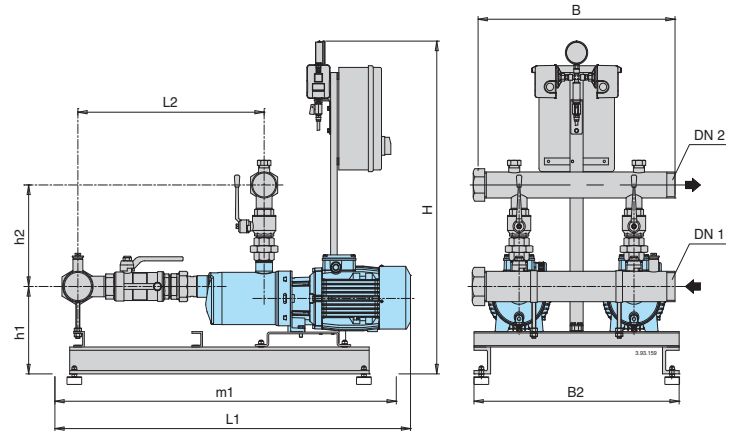
Dimensions not binding to be verified when ordering

Dimensions and weights

BS.. 2MXH 2,4,8

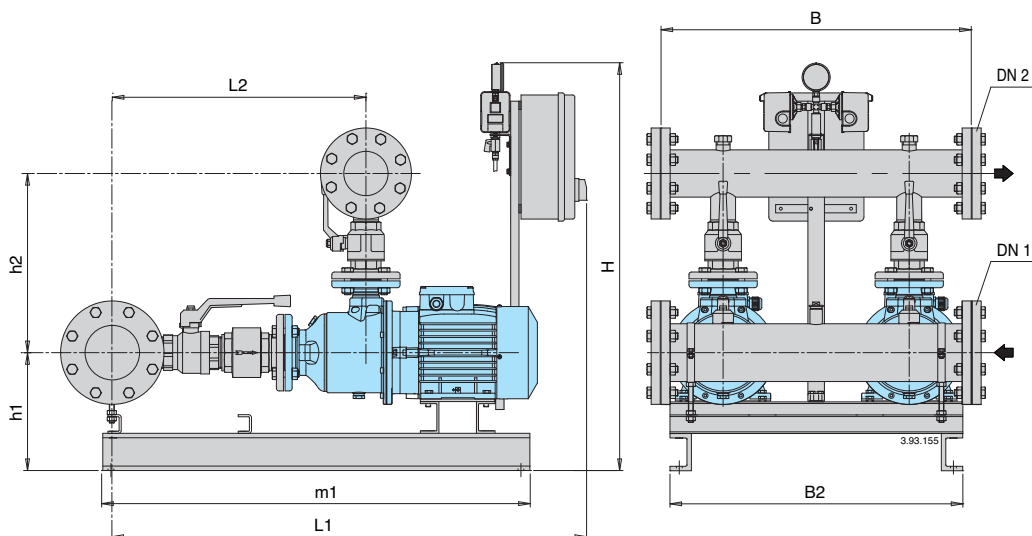


BS.. 2MXH 16



TYPE	Connection		mm								weight kg
	DN 1	DN 2	H	h1	h2	L1	L2	m1	B2	B	
BS.. 2MXH 203E	G 2	G 1 1/2	840	162	202	773	335				42
BS.. 2MXH 204/A	G 2	G 1 1/2	840	162	202	796	358				47
BS.. 2MXH 205/B	G 2	G 1 1/2	840	162	202	820	382				50
BS.. 2MXH 206/C	G 2	G 1 1/2	840	162	202	845	406				54
BS.. 2MXH 403/A	G 2	G 1 1/2	840	162	202	773	335				46
BS.. 2MXH 404/B	G 2	G 1 1/2	840	162	202	796	358				49
BS.. 2MXH 405/C	G 2	G 1 1/2	840	162	202	820	382	235	625	600	53
BS.. 2MXH 406/A	G 2	G 1 1/2	840	162	202	845	406				57
BS.. 2MXH 803/A	G 2 1/2	G 2	840	162	208	866	428				61
BS.. 2MXH 804/A	G 2 1/2	G 2	840	162	208	896	458				66
BS.. 2MXH 805/B	G 2 1/2	G 2	840	162	208	926	488				68
BS.. 2MXH 1603/B	G 3	G 2 1/2	985	250	295	945	490	905			87
BS.. 2MXH 1604/A	G 3	G 2 1/2	985	265	295	1045	530		625	600	114
BS.. 2MXH 1605/B	G 3	G 2 1/2	985	265	295	1085	565	1040			122
BS.. 2MXH 1606/B	G 3	G 2 1/2	985	265	295	1120	605				124

Dimensions not binding to be verified when ordering



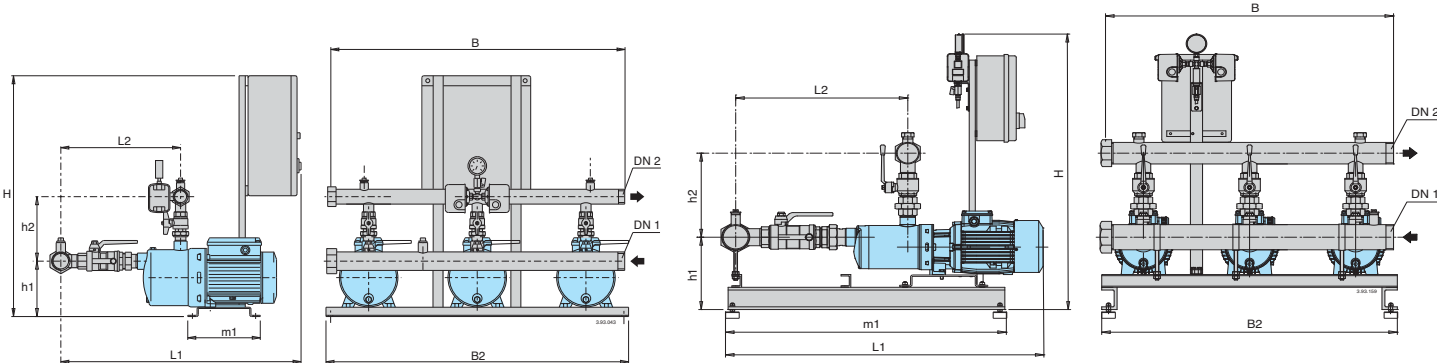
TYPE	Connection		mm								weight kg
	DN 1	DN 2	H	h1	h2	L1	L2	m1	B2	B	
BS.. 2MXH 2002/A	G 3	G 2 1/2	1510	215	391	977	499	810			
BS.. 2MXH 2003	G 3	G 2 1/2	1510	225	391	1013	518	810			
BS.. 2MXH 2004/A	G 3	G 2 1/2	1510	225	391	1048	553	810			
BS.. 2MXH 2005	G 3	G 2 1/2	1510	247	391	1091	587	995			
BS.. 2MXH-F 3202/B	100	80	1510	285	435	1265	565	1175	800	750	214
BS.. 2MXH-F 3203	100	80	1510	285	435	1270	615	1175			243
BS.. 2MXH-F 3204/A	100	80	1510	285	435	1320	660	1175			260
BS.. 2MXH-F 4802/A	125	100	1510	285	465	1380	665	1175			268
BS.. 2MXH-F 4803/A	125	100	1510	285	465	1420	725	1220			286

Dimensions not binding to be verified when ordering

Dimensions and weights

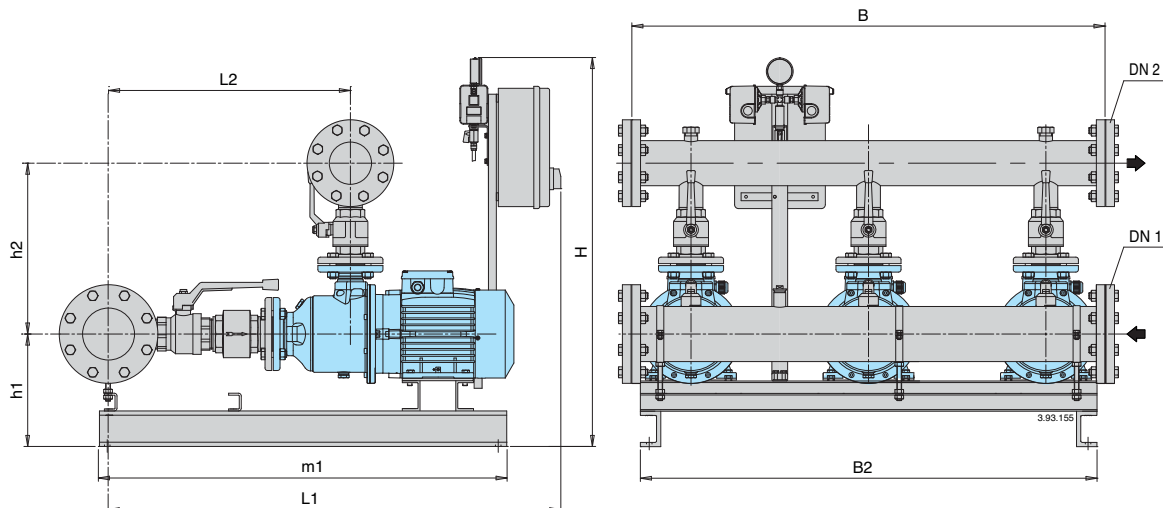
BS.. 3MXH 2,4,8

BS.. 3MXH 16



TYPE	Connection		mm									weight kg
	DN 1	DN 2	H	h1	h2	L1	L2	m1	B2	B		
BS.. 3MXH 203E	G 2 1/2	G 2	840	162	202	773	335					
BS.. 3MXH 204/A	G 2 1/2	G 2	840	162	202	796	358					
BS.. 3MXH 205/B	G 2 1/2	G 2	840	162	202	820	382					
BS.. 3MXH 206/C	G 2 1/2	G 2	840	162	202	845	406					
BS.. 3MXH 403/A	G 2 1/2	G 2	840	162	202	773	335					
BS.. 3MXH 404/B	G 2 1/2	G 2	840	162	202	796	358					
BS.. 3MXH 405/C	G 2 1/2	G 2	840	162	202	820	382	235	1350	1200		
BS.. 3MXH 406/A	G 2 1/2	G 2	840	162	202	845	406					
BS.. 3MXH 803/A	G 3	G 2 1/2	840	162	208	866	428					
BS.. 3MXH 804/A	G 3	G 2 1/2	840	162	208	896	458					
BS.. 3MXH 805/B	G 3	G 2 1/2	840	162	208	926	488					
BS.. 3MXH 1603/B	DN 100	DN 80	985	250	295	945	490	905				
BS.. 3MXH 1604/A	DN 100	DN 80	985	265	295	1045	530		1350	1200		
BS.. 3MXH 1605/B	DN 100	DN 80	985	265	295	1085	565	1040				
BS.. 3MXH 1606/B	DN 100	DN 80	985	265	295	1120	605					

Dimensions not binding to be verified when ordering

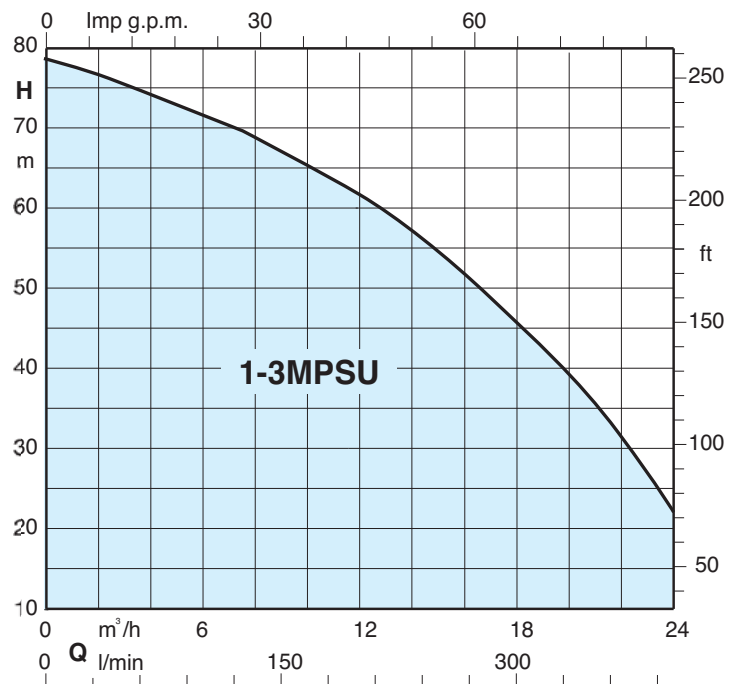


TYPE	Connection		mm									weight kg
	DN 1	DN 2	H	h1	h2	L1	L2	m1	B2	B		
BS.. 3MXH 2002/A	100	80	1510	225	391	1021	499	810				
BS.. 3MXH 2003	100	80	1510	225	391	1037	518	810				
BS.. 3MXH 2004/A	100	80	1510	225	391	1092	553	810				
BS.. 3MXH 2005	100	80	1510	247	391	1135	597	995				
BS.. 3MXH-F 3202/B	125	100	1510	285	435	1265	565	1175	1250	1200		
BS.. 3MXH-F 3203/A	125	100	1510	285	435	1270	615	1175				
BS.. 3MXH-F 3204/A	125	100	1510	285	435	1320	660	1175				
BS.. 3MXH-F 4802/A	150	125	1510	285	465	1380	665	1175				
BS.. 3MXH-F 4803/A	150	125	1510	285	465	1420	725	1220				

Dimensions not binding to be verified when ordering



Coverage chart



Operation

BS 1-6F Pressure boosting sets with 1 to 6 fixed speed pump.
Sets with 4,5 and 6 pumps on request.
Depending on the reduction of the pressure in the system, the pressure switches determine the starting up of the pumps in sequence and the microprocessor alternates the starts.

BS1V2-5F Pressure boosting sets with 1 variable speed pump (with frequency converter into the control panel) and from 1 to 5 fixed speed pumps
Sets with 4,5 and 6 pumps on request.
According to the water consumption, one or more pumps start, one at variable speed and the others at fixed speed, to grant the water quantity required at the set pressure.

BS1-6V Pressure boosting sets with 1 to 6 variable speed pumps (with frequency converter into the control panel).
Sets with 4,5 and 6 pumps on request.
Depending on water consumption, one or more pumps are activated, all at variable speed, in order to guarantee the quantity of water required at the set pressure.

Construction

- Automatic pressure boosting plant consisting of 1 vertical multi-stage close coupled pump complete with ball valve on the delivery side, suitable for installation of one cylindrical pressure vessel.
- Automatic pressure boosting plant consisting of 2 to 6 vertical multi-stage close coupled pumps complete with ball, non return valve on the suction side and ball valves on the delivery side. Suction and delivery manifolds are in AISI 304. Connections are located on the delivery manifold for the installation of 20 litres cylindrical vessels:
 - 2 vessels for 2-pump sets.
 - 3 vessels for 3-pump sets.

Electrical control boards:

- with microprocessor for fixed speed pump units (see page 504).
 - with frequency converter for variable speed pump units (see page 505).
- The unit includes one pressure gauge and three adjustable differential pressure switches or pressure transducer (for sets with frequency converter).

Applications

To supply water in civil and industrial buildings.
As pressure boosting pump to increase water pressure when needed (follow local rules).

Motors

- 2-pole induction motors, 50 Hz, $n \approx 2900$ rpm, suitable for operation with frequency converter.
- Three-phase 230V - 400V $\pm 10\%$;
 - Single-phase 230 V $\pm 10\%$.
- Insulation class F.
Protection IP 54.
Constructed in accordance with: IEC 60034.
Other voltages and frequencies on request.

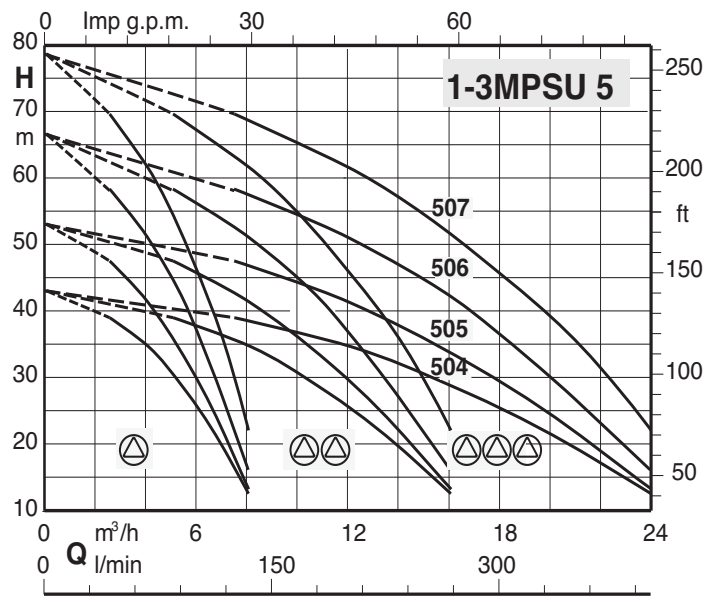
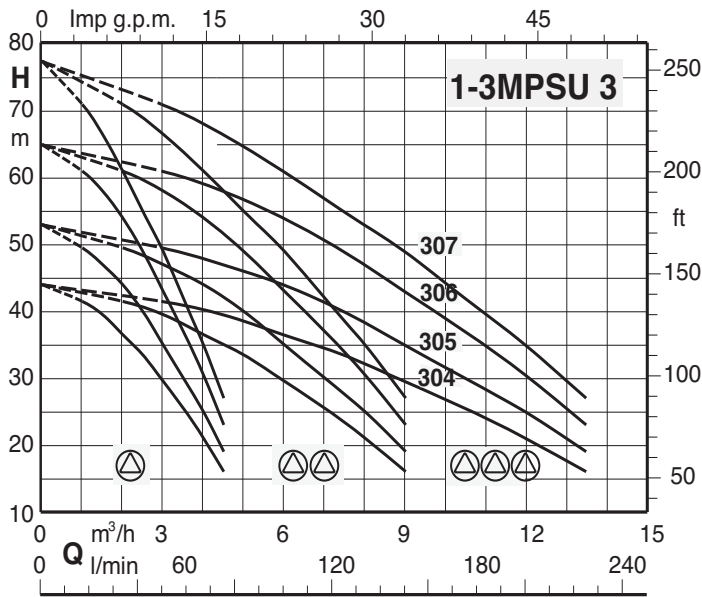
Vessels on request

When installing the unit in the delivery section to a diaphragm or galvanised tank.
The recommended sized are shown in the following page.

Special features on request

Pressure boosting sets with 4,5 and 6 pumps.

Coverage chart



Performance

BS1F BSM1F

Mains: 400V 3~ Motor: 400V 3~	Mains: 230V 1~ Motor: 230V 1~	Motor		Pres. switch 1 bar		Maximum capacity *		Vessel Membrane litre	Vessel litre
		kW	HP	min	max	Q l/min	H m		
BS1F 1MPSU 304	BSM1F 1MPSU 304	0,55	0,75	2,3	3,8	63	23	40	100
BS1F 1MPSU 305	BSM1F 1MPSU 305	0,75	1	3	4,5	58	31	40	100
BS1F 1MPSU 306	BSM1F 1MPSU 306	0,9	1,2	3,8	5,8	56	39	50	100
BS1F 1MPSU 307	BSM1F 1MPSU 307	0,9	1,2	4,7	6,4	52	48	50	100
BS1F 1MPSU 504	BSM1F 1MPSU 504	0,9	1,2	2,1	3,6	115	21	60	100
BS1F 1MPSU 505	BSM1F 1MPSU 505	1,1	1,5	3	4,5	104	31	80	200
BS1F 1MPSU 506	BSM1F 1MPSU 506	1,1	1,5	4,3	6	85	44	150	200
BS1F 1MPSU 507	BSM1F 1MPSU 507	1,5	2	5,3	7,1	84	54	150	200

* Maximum pumps flow at minimum setting pressure switch.

BS2F BSM2F

Mains: 400V 3~ Motor: 400V 3~	Alimentazione 230V 1~ Motore 230V 1~	Motor		Pres. switch 1 bar		Pres. switch 2 bar		Maximum capacity *		Vessel Membrane litre	Vessel litre
		kW	HP	min	max	min	max	Q l/min	H m		
BS2F 2MPSU 304	BSM2F 2MPSUM 304	0,55 x2	0,75 x2	2,3	3,8	1,8	3,3	143	18	40	100
BS2F 2MPSU 305	BSM2F 2MPSUM 305	0,75 x2	1 x2	3	4,5	2,5	4	133	25	40	100
BS2F 2MPSU 306	BSM2F 2MPSUM 306	0,9 x2	1,2 x2	3,8	5,8	3,5	5,5	121	36	50	100
BS2F 2MPSU 307	BSM2F 2MPSUM 307	0,9 x2	1,2 x2	4,7	6,4	4,4	6,1	110	45	50	100
BS2F 2MPSU 504	BSM2F 2MPSUM 504	0,9 x2	1,2 x2	2,1	3,6	1,7	3,2	251	17	60	100
BS2F 2MPSU 505	BSM2F 2MPSUM 505	1,1 x2	1,5 x2	3	4,5	2,5	4	233	25	80	200
BS2F 2MPSU 506	BSM2F 2MPSUM 506	1,1 x2	1,5 x2	4,3	6	4,1	5,7	180	41	150	200
BS2F 2MPSU 507	BSM2F 2MPSUM 507	1,5 x2	2 x2	5,3	7,1	5	6,8	178	51	150	200

* Maximum pumps flow at minimum setting pressure of 2nd pressure switch.

BS3F

Mains: 400V 3~ Motor: 400V 3~	Motor		Pres. switch 1 bar		Pres. switch 2 bar		Pres. switch 3 bar		Maximum capacity *		Vessel Membrane litre	Vessel litre
	kW	HP	min	max	min	max	min	max	Q l/min	H m		
BS3F 3MPSU 304	0,55 x3	0,75 x3	2,3	3,8	1,8	3,3	1,3	2,8	235	13	40	100
BS3F 3MPSU 305	0,75 x3	1 x3	3	4,5	2,5	4	2	3,5	220	20	40	100
BS3F 3MPSU 306	0,9 x3	1,2 x3	3,8	5,8	3,5	5,5	3,2	5,2	194	33	40	100
BS3F 3MPSU 307	0,9 x3	1,2 x3	4,7	6,4	4,4	6,1	4,2	5,8	175	42	50	100
BS3F 3MPSU 504	0,9 x3	1,2 x3	2,1	3,6	1,7	3,2	1,2	2,7	403	12	60	100
BS3F 3MPSU 505	1,1 x3	1,5 x3	3	4,5	2,5	4	2	3,5	379	20	80	200
BS3F 3MPSU 506	1,1 x3	1,5 x3	4,3	6	4,1	5,7	3,5	5,4	284	39	150	200
BS3F 3MPSU 507	1,5 x3	2 x3	5,3	7,1	5	6,8	4,8	6,5	279	48	150	200

* Maximum pumps flow at minimum setting pressure of 3rd pressure switch.

BS..

PUMPS Nos						PUMP TYPE	P ₂ For each pump	
1	2	3	4	5	6		kW	HP
BS1V	BS2V BS1V1F BSM1V1F* BSM2V**	BS3V BS1V2F	BS4V BS1V3F	BS5V BS1V4F	BS6V BS1V5F	MPSU 304	0,55	0,75
						MPSU 305	0,75	1
						MPSU 306	0,9	1,2
						MPSU 307	0,9	1,2
						MPSU 504	0,9	1,2
						MPSU 505	1,1	1,5
						MPSU 506	1,1	1,5
MPSU 507	1,5	2						

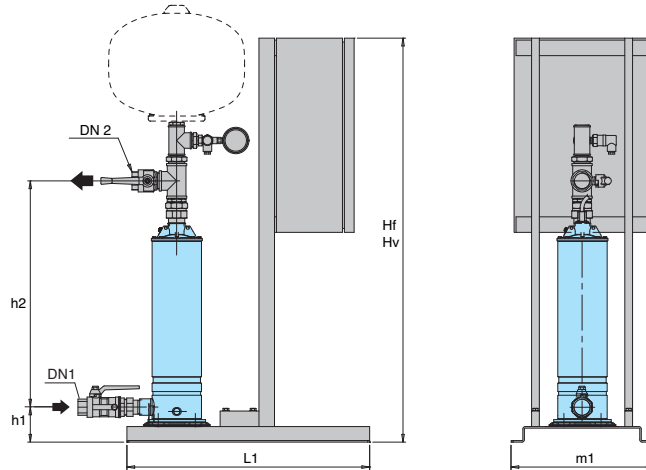
(*) SYSTEMS WITH:

- 1 variable speed pump three-phase motor
- 1 fixed speed pump single-phase motor
- Power supply to control panel 230 V single-phase

(**) Three-phase motor 230 V.

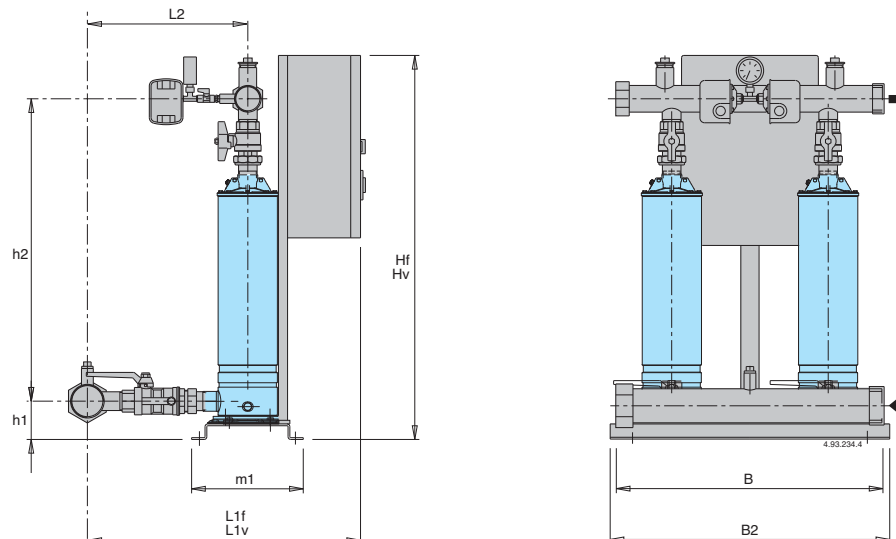
- Power supply to control panel: - 230 V three-phase
- 230 V single-phase
- Frequency converter output is always 230 V three-phase.

Dimensions and weights



TYPE	TYPE	Connection		mm						weight kg
		DN 1	DN 2	Hf	Hv	h1	h2	L1	m1	
BS.. 1MPSU 304	BSM.. 1MPSU 304	G 1 1/4	G 1 1/4	875	1045	94	619	625	365	-
BS.. 1MPSU 305	BSM.. 1MPSU 305						668			-
BS.. 1MPSU 306	BSM.. 1MPSU 306						692			-
BS.. 1MPSU 307	BSM.. 1MPSU 307						716			-
BS.. 1MPSU 504	BSM.. 1MPSU 504						644			-
BS.. 1MPSU 505	BSM.. 1MPSU 505						668			-
BS.. 1MPSU 506	BSM.. 1MPSU 506						737			-
BS.. 1MPSU 507	BSM.. 1MPSU 507						786			-

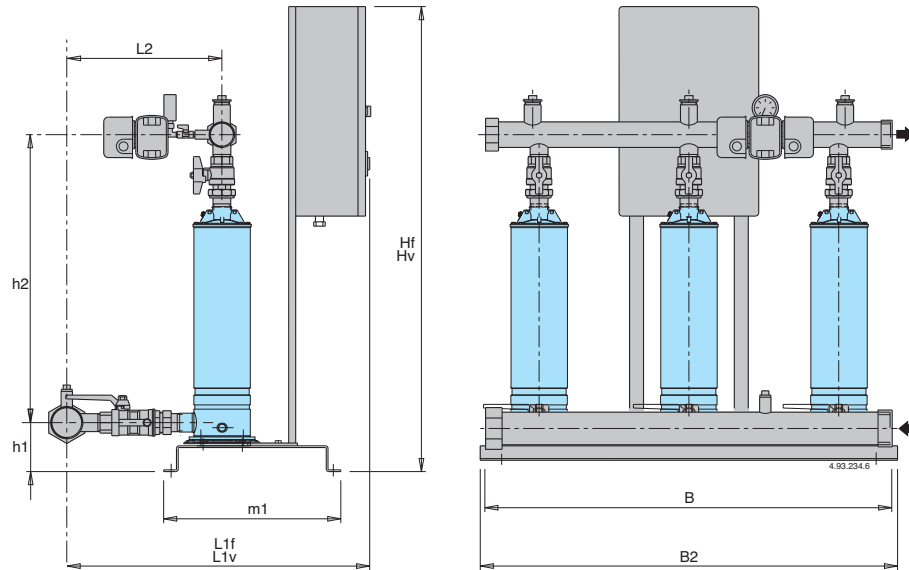
Dimensions not binding to be verified when ordering



TYPE	TYPE	Connection		mm										weight kg
		DN 1	DN 2	Hf	Hv	h1	h2	L1f	L1v	L2	m1	B	B2	
BS.. 2MPSU 304	BSM.. 2MPSU 304	G 2	G 2	865	1135	84	629	690	740	320	240	600	625	50 - 50
BS.. 2MPSU 305	BSM.. 2MPSU 305						698							52 - 52
BS.. 2MPSU 306	BSM.. 2MPSU 306						722							54 - 55
BS.. 2MPSU 307	BSM.. 2MPSU 307						746							56 - 58
BS.. 2MPSU 504	BSM.. 2MPSU 504						674							52 - 52
BS.. 2MPSU 505	BSM.. 2MPSU 505						698							54 - 54
BS.. 2MPSU 506	BSM.. 2MPSU 506						767							56 - 57
BS.. 2MPSU 507	BSM.. 2MPSU 507						816							58 - 60

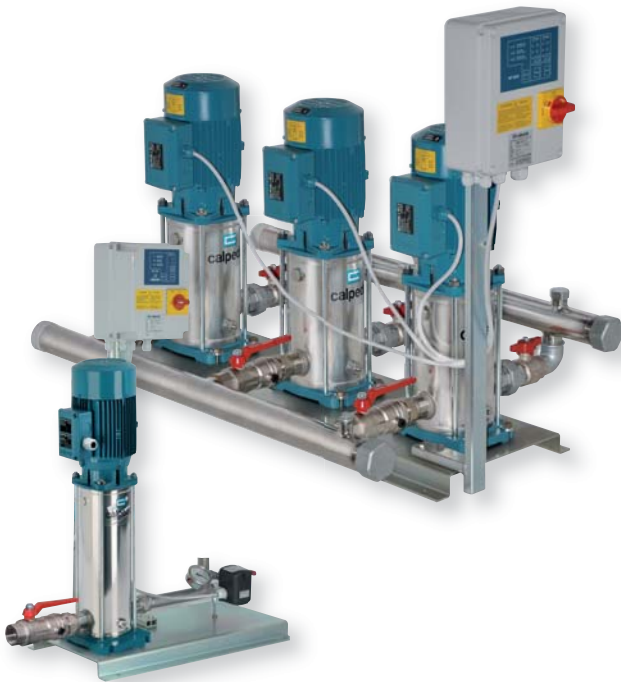
Dimensions not binding to be verified when ordering

Dimensions and weights

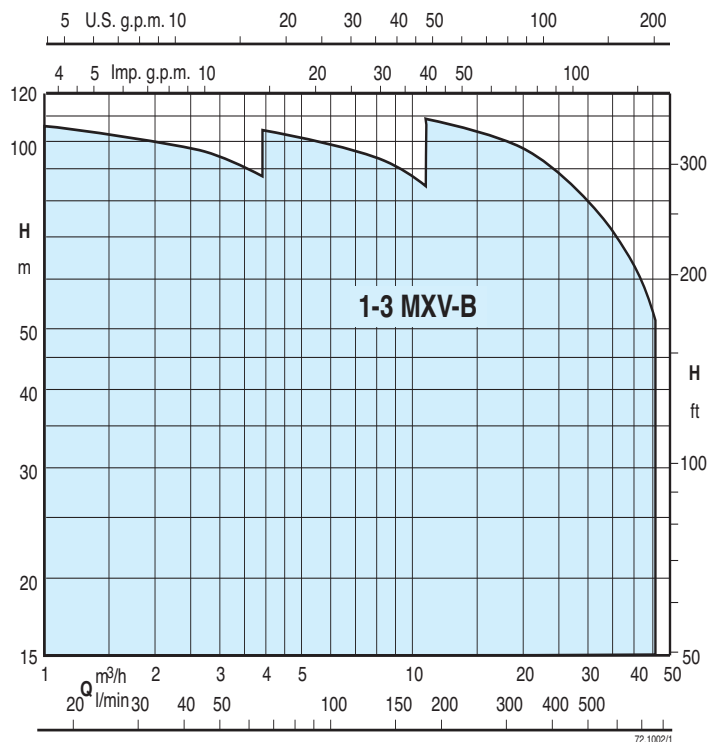


TYPE	Connection		mm										weight	
	DN 1	DN 2	Hf	Hv	h1	h2	L1f	L1v	L2	m1	B	B2	kg	
BS.. 3MPSU 304						636							85	
BS.. 3MPSU 305						705							88	
BS.. 3MPSU 306						729							91	
BS.. 3MPSU 307						753							94	
BS.. 3MPSU 504	G 2 1/2	G 2	1090	1260	105	681	735	805	329	406	950	1000	87	
BS.. 3MPSU 505						705							90	
BS.. 3MPSU 506						774							93	
BS.. 3MPSU 507						823							96	

Dimensions not binding to be verified when ordering



Coverage chart



Operation

BS 1-6F Pressure boosting sets with 1 to 6 fixed speed pump.
Sets with 4,5 and 6 pumps on request.
Depending on the reduction of the pressure in the system, the pressure switches determine the starting up of the pumps in sequence and the microprocessor alternates the starts.

BS1V2-5F Pressure boosting sets with 1 variable speed pump (with frequency converter into the control panel) and from 1 to 5 fixed speed pumps
Sets with 4,5 and 6 pumps on request.
According to the water consumption, one or more pumps start, one at variable speed and the others at fixed speed, to grant the water quantity required at the set pressure.

BS1-6V Pressure boosting sets with 1 to 6 variable speed pumps (with frequency converter into the control panel).
Sets with 4,5 and 6 pumps on request.
Depending on water consumption, one or more pumps are activated, all at variable speed, in order to guarantee the quantity of water required at the set pressure.

Construction

- Automatic pressure boosting plant consisting of 1 vertical multi-stage close coupled pump complete with ball valve on the delivery side, suitable for installation of one cylindrical pressure vessel.
- Automatic pressure boosting plant consisting of 2 to 6 vertical multi-stage close coupled pumps complete with ball, non return valve on the suction side and ball valves on the delivery side. Suction and delivery manifolds are in AISI 304. Connections are located on the delivery manifold for the installation of 20 litres cylindrical vessels:
 - 2 vessels (for 2MXV-B 25-32-40), 1 vessel (for 2MXV-B 50).
 - 3 vessels (for 3MXV-B 25-32-40), 2 vessels (for 3MXV-B 50).

Electrical control boards:

- with microprocessor for fixed speed pump units (see page 504). Motor starting is D.O.L. up to 5,5 kW and Y/Δ for power rating 7,5 kW.
- with frequency converter for variable speed pump units (see page 505).

The unit includes one pressure gauge and three adjustable differential pressure switches or pressure transducer (for sets with frequency converter).

Applications

To supply water in civil and industrial buildings.
As pressure boosting pump to increase water pressure when needed (follow local rules).

Motors

- 2-pole induction motors, 50 Hz, $n \approx 2900$ rpm, suitable for operation with frequency converter.
- Three-phase 230/400V $\pm 10\%$ up to 3 kW;
400/690V $\pm 10\%$ for 4 kW to 7,5 kW;
 - Single-phase 230 V $\pm 10\%$, with thermal protector.
- Insulation class F.
Protection IP 54.
Constructed in accordance with: IEC 60034.
Other voltages and frequencies on request.

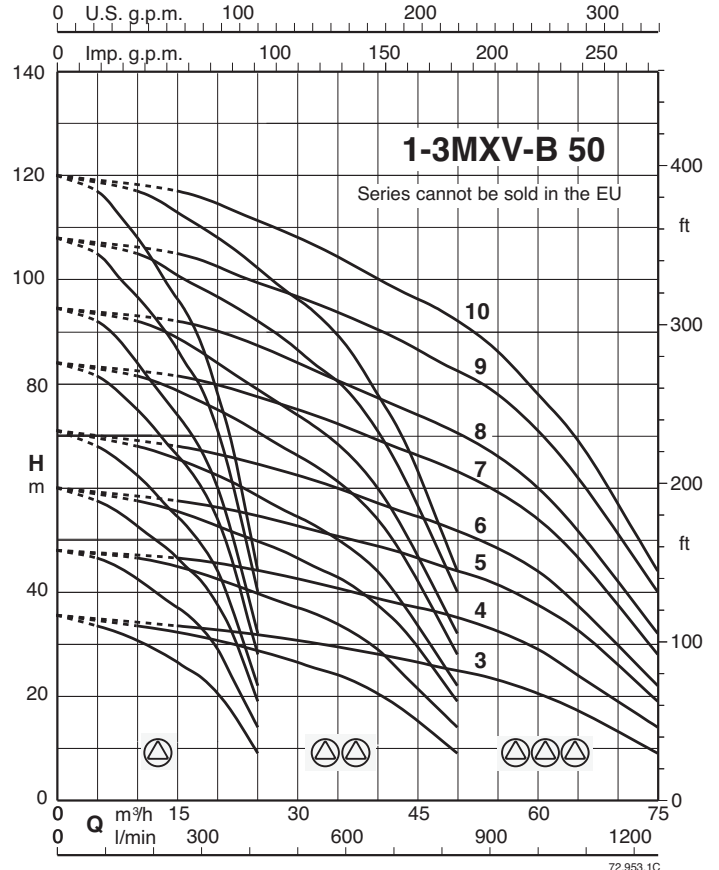
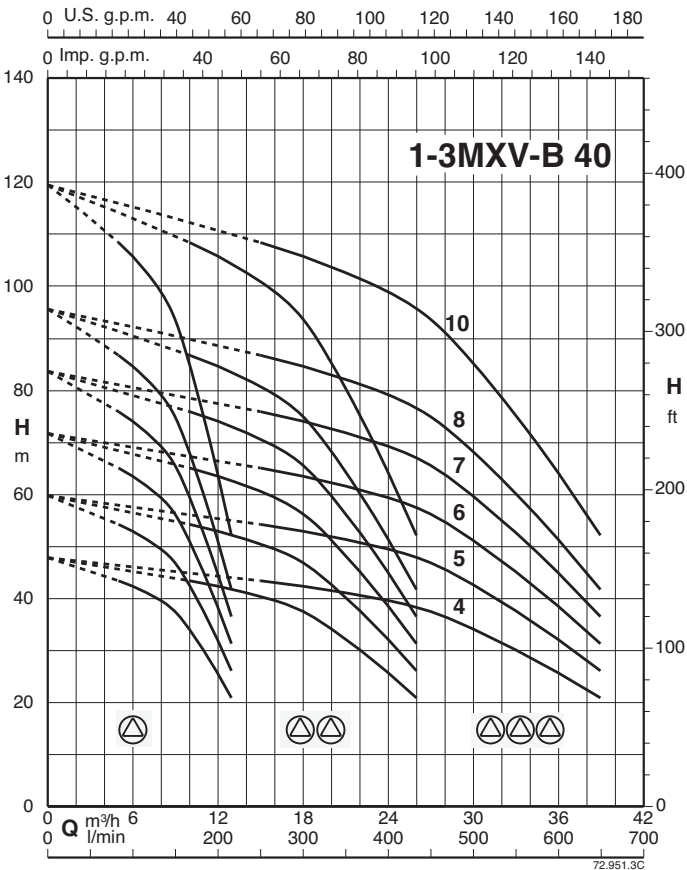
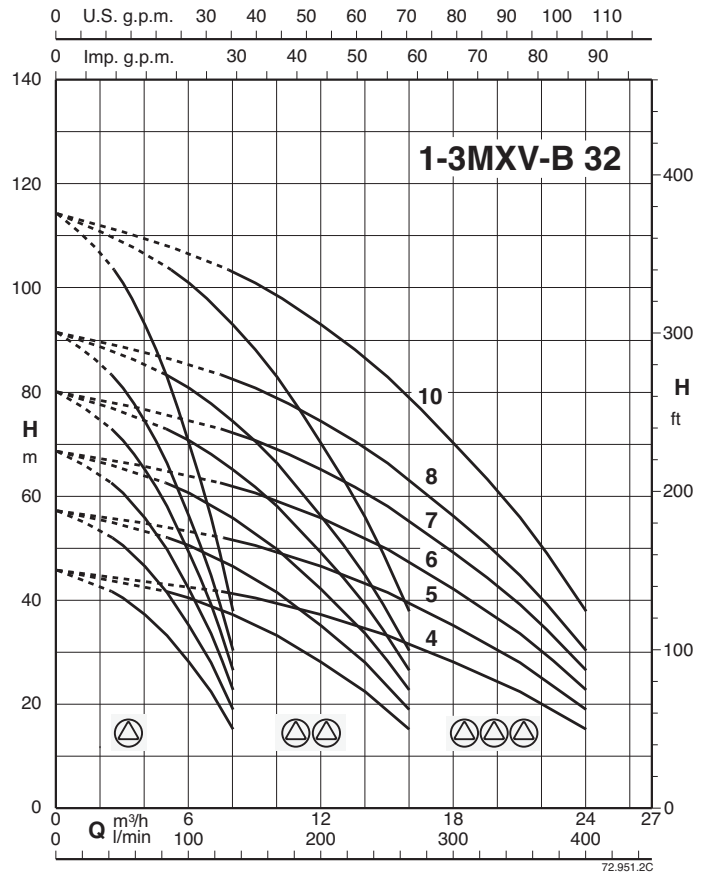
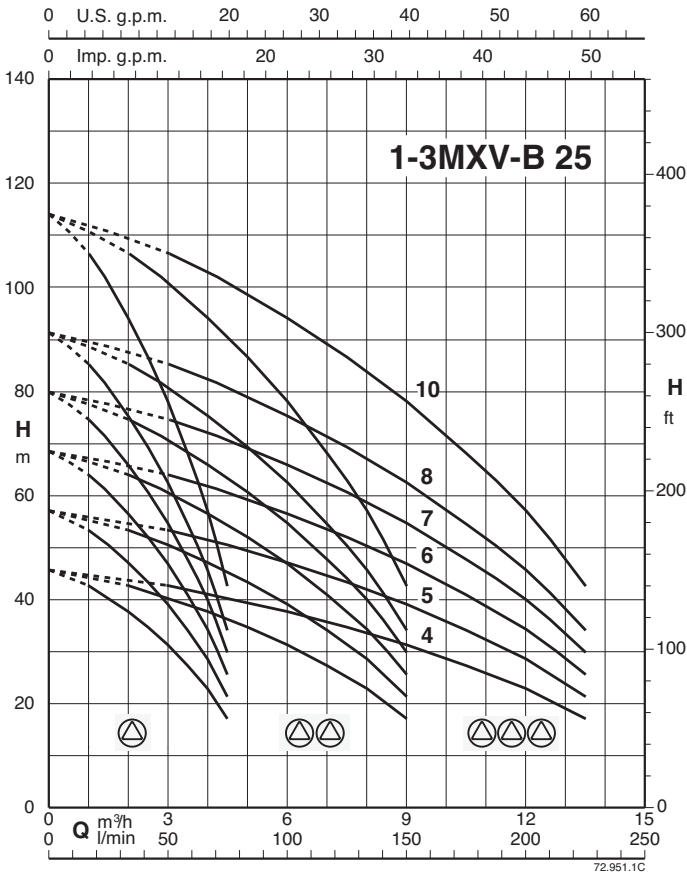
Vessels on request

When installing the unit, connect in the delivery section to a diaphragm or galvanised tank.
The recommended sized are shown in the following page.

Special features on request

Pressure boosting sets with 4,5 and 6 pumps.

Coverage chart



Performance

BS1F BSM1F

Mains: 400V 3~ Motor: 400V 3~	Mains: 230V 1~ Motor: 230V 1~	Motor		Pres. switch 1 bar		Maximum capacity *		Vessel Membrane litre	Vessel litre
		kW	HP	min	max	Q l/min	H m		
BS1F 1MXV-B 25-204	BSM1F 1MXV-BM 25-204	0,75	1	2,5	4	62	25	40	100
BS1F 1MXV-B 25-205	BSM1F 1MXV-BM 25-205	0,75	1	3,5	5	56	36	50	100
BS1F 1MXV-B 25-206/A	BSM1F 1MXV-BM 25-206	1,1	1,5	4	6	59	41	50	100
BS1F 1MXV-B 25-207/A	BSM1F 1MXV-BM 25-207	1,1	1,5	5	7	55	51	50	100
BS1F 1MXV-B 25-208/A	BSM1F 1MXV-BM 25-208	1,5	2	6	8	51	61	60	100
BS1F 1MXV-B 25-210/A	BSM1F 1MXV-BM 25-210	1,5	2	6,5	9,5	60	66	60	100
BS1F 1MXV-B 32-404/A	BSM1F 1MXV-BM 32-404	1,1	1,5	2,3	3,8	114	23	80	100
BS1F 1MXV-B 32-405/A	BSM1F 1MXV-BM 32-405	1,1	1,5	3,4	4,9	103	35	100	100
BS1F 1MXV-B 32-406/A	BSM1F 1MXV-BM 32-406	1,5	2	4	6	105	41	100	100
BS1F 1MXV-B 32-407/A	BSM1F 1MXV-BM 32-407	1,5	2	5	7	99	51	100	300
BS1F 1MXV-B 32-408/B		2,2	3	6	8	93	61	150	300
BS1F 1MXV-B 32-410/B		2,2	3	6,5	9,5	108	66	150	300
BS1F 1MXV-B 40-804/A	BSM1F 1MXV-BM 40-804	1,5	2	2,5	4	214	25	200	300
BS1F 1MXV-B 40-805/B		2,2	3	3,5	5	211	36	300	500
BS1F 1MXV-B 40-806/B		2,2	3	4	6	211	41	300	500
BS1F 1MXV-B 40-807/A		3	4	5	7	208	51	300	500
BS1F 1MXV-B 40-808/A		3	4	6	8	199	61	300	500
BS1F 1MXV-B 40-810/B		3,7	5	7,5	10,5	199	76	500	800
BS1F 1MXV-B 50-1803/B		2,2	3	1,5	3	395	15	300	500
BS1F 1MXV-B 50-1804/A		3	4	2,5	4	373	25	500	800
BS1F 1MXV-B 50-1805/B		3,7	5	3,5	5	357	36	500	1000
BS1F 1MXV-B 50-1806/B		4	5,5	4	6	359	41	500	800
BS1F 1MXV-B 50-1807/A		5,5	7,5	5	7	358	51	750	1000
BS1F 1MXV-B 50-1808/A		5,5	7,5	6	8	341	61	750	1000
BS1F 1MXV-B 50-1809/A		7,5	10	7	9	343	71	1000	2000
BS1F 1MXV-B 50-1810/A		7,5	10	8	10	333	82	1000	2000

* Maximum pumps flow at minimum setting pressure switch.

BS2F BSM2F

Mains: 400V 3~ Motor: 400V 3~	Mains: 230V 1~ Motor: 230V 1~	Motor		Pres. switch 1 bar		Pres. switch 2 bar		Maximum capacity *		Vessel Membrane litre	Vessel litre
		kW	HP	min	max	min	max	Q l/min	H m		
BS2F 2MXV-B 25-204	BSM2F 2MXV-BM 25-204	0,75 x2	1 x2	2,5	4	2,2	3,7	135	22	40	100
BS2F 2MXV-B 25-205	BSM2F 2MXV-BM 25-205	0,75 x2	1 x2	3,5	5	3	4,5	128	31	50	100
BS2F 2MXV-B 25-206/A	BSM2F 2MXV-BM 25-206	1,1 x2	1,5 x2	4	6	3,5	5,5	130	36	50	100
BS2F 2MXV-B 25-207/A	BSM2F 2MXV-BM 25-207	1,1 x2	1,5 x2	5	7	4,5	6,5	122	46	50	100
BS2F 2MXV-B 25-208/A	BSM2F 2MXV-BM 25-208	1,5 x2	2 x2	6	8	5,5	7,5	113	56	60	100
BS2F 2MXV-B 25-210/A	BSM2F 2MXV-BM 25-210	1,5 x2	2 x2	6,5	9,5	6	9	128	61	60	100
BS2F 2MXV-B 32-404/A	BSM2F 2MXV-BM 32-404	1,1 x2	1,5 x2	2,3	3,8	1,8	3,3	253	18	80	100
BS2F 2MXV-B 32-405/A	BSM2F 2MXV-BM 32-405	1,1 x2	1,5 x2	3,4	4,9	3	4,5	226	31	100	100
BS2F 2MXV-B 32-406/A	BSM2F 2MXV-BM 32-406	1,5 x2	2 x2	4	6	3,5	5,5	232	36	100	100
BS2F 2MXV-B 32-407/A	BSM2F 2MXV-BM 32-407	1,5 x2	2 x2	5	7	4,5	6,5	218	46	100	300
BS2F 2MXV-B 32-408/B		2,2 x2	3 x2	6	8	5,5	7,5	205	56	150	300
BS2F 2MXV-B 32-410/B		2,2 x2	3 x2	6,5	9,5	6	9	229	61	150	300
BS2F 2MXV-B 40-804/A	BSM2F 2MXV-BM 40-804	1,5 x2	2 x2	2,5	4	2,2	3,7	435	22	200	300
BS2F 2MXV-B 40-805/B		2,2 x2	3 x2	3,5	5	3	4,5	438	31	300	500
BS2F 2MXV-B 40-806/B		2,2 x2	3 x2	4	6	3,5	5,5	435	36	300	500
BS2F 2MXV-B 40-807/A		3 x2	4 x2	5	7	4,5	6,5	434	46	300	500
BS2F 2MXV-B 40-808/A		3 x2	4 x2	6	8	5,5	7,5	418	56	300	500
BS2F 2MXV-B 40-810/B		3,7 x2	5 x2	8	10	7,5	9,5	399	76	500	800
BS2F 2MXV-B 50-1803/B		2,2 x2	3 x2	1,5	3	1,2	2,7	822	12	300	500
BS2F 2MXV-B 50-1804/A		3 x2	4 x2	2,5	4	2,2	3,7	784	22	500	800
BS2F 2MXV-B 50-1805/B		3,7 x2	5 x2	3,5	5	3	4,5	777	31	500	1000
BS2F 2MXV-B 50-1806/B		4 x2	5,5 x2	4	6	3,5	5,5	771	36	500	800
BS2F 2MXV-B 50-1807/A		5,5 x2	7,5 x2	5	7	4,5	6,5	764	46	750	1000
BS2F 2MXV-B 50-1808/A		5,5 x2	7,5 x2	6	8	5,5	7,5	733	56	750	1000
BS2F 2MXV-B 50-1809/A		7,5 x2	10 x2	7	9	6,5	8,5	731	66	1000	2000
BS2F 2MXV-B 50-1810/A		7,5 x2	10 x2	8	10	7,5	9,5	711	76	1000	2000

* Maximum pumps flow at minimum setting pressure of 2nd pressure switch.

Performance

BS3F

Mains: 400V 3~ Motor: 400V 3~	Motor		Pres. switch 1 bar		Pres. switch 2 bar		Pres. switch 3 bar		Maximum capacity *		Vessel Membrane litre	Vessel litre
	kW	HP	min	max	min	max	min	max	Q l/min	H m		
BS3F 3MXV-B 25-204	0,75 x3	1 x3	2,5	4	2,2	3,7	1,9	3,4	216	19	40	100
BS3F 3MXV-B 25-205	0,75 x3	1 x3	3,5	5	3,2	4,7	2,9	4,4	197	30	50	100
BS3F 3MXV-B 25-206/A	1,1 x3	1,5 x3	4,5	6	4,2	5,7	3,9	5,4	180	40	50	100
BS3F 3MXV-B 25-207/A	1,1 x3	1,5 x3	5,5	7	5,2	6,7	4,9	6,4	168	50	50	100
BS3F 3MXV-B 25-208/A	1,5 x3	2 x3	6,5	8	6,2	7,7	5,9	7,4	157	60	60	100
BS3F 3MXV-B 25-210/A	1,5 x3	2 x3	6,5	9,5	6	9	5,5	8,5	203	56	60	100
BS3F 3MXV-B 32-404/A	1,1 x3	1,5 x3	2,3	3,8	2	3,5	1,7	3,2	385	17	80	100
BS3F 3MXV-B 32-405/A	1,1 x3	1,5 x3	3,4	4,9	3,1	4,6	2,8	4,3	353	29	100	100
BS3F 3MXV-B 32-406/A	1,5 x3	2 x3	4,4	5,9	4,1	5,6	3,8	5,3	330	39	100	100
BS3F 3MXV-B 32-407/A	1,5 x3	2 x3	5,5	7	5,2	6,7	4,9	6,4	304	50	100	300
BS3F 3MXV-B 32-408/B	2,2 x3	3 x3	6,5	8	6,2	7,7	5,9	7,4	285	60	150	300
BS3F 3MXV-B 32-410/B	2,2 x3	3 x3	6	9	5,5	8,5	5	8	373	51	150	300
BS3F 3MXV-B 40-804/A	1,5 x3	2 x3	2,5	4	2,2	3,7	1,9	3,4	643	19	200	300
BS3F 3MXV-B 40-805/B	2,2 x3	3 x3	3,5	5	3,2	4,7	2,9	4,4	658	30	300	500
BS3F 3MXV-B 40-806/B	2,2 x3	3 x3	4,5	6	4,2	5,7	3,9	5,4	640	40	300	500
BS2F 3MXV-B 40-807/A	3 x3	4 x3	5,5	7	5,2	6,7	4,9	6,4	632	50	300	500
BS2F 3MXV-B 40-808/A	3 x3	4 x3	6,5	8	6,2	7,7	5,9	7,4	604	60	300	500
BS2F 3MXV-B 40-810/B	3,7 x3	5 x3	8	10	8,5	10,5	8	10	565	82	500	800
BS3F 3MXV-B 50-1803/B	2,2 x3	3 x3	1,8	3	1,5	2,7	1,2	2,4	1233	12	300	500
BS3F 3MXV-B 50-1804/A	3 x3	4 x3	2,5	4	2,2	3,7	1,9	3,4	1218	19	500	800
BS3F 3MXV-B 50-1805/B	3,7 x3	5 x3	3,5	5	3,2	4,7	2,9	4,4	1181	30	500	1000
BS3F 3MXV-B 50-1806/B	4 x3	5,5 x3	4,5	6	4,2	5,7	3,9	5,4	1096	40	500	800
BS3F 3MXV-B 50-1807/A	5,5 x3	7,5 x3	5,5	7	5,2	6,7	4,9	6,4	1090	50	750	1000
BS3F 3MXV-B 50-1808/A	5,5 x3	7,5 x3	6,5	8	6,2	7,7	5,9	7,4	1041	60	750	1000
BS3F 3MXV-B 50-1809/A	7,5 x3	10 x3	7	9	6,5	8,5	6	8	1153	61	1000	2000
BS3F 3MXV-B 50-1810/A	7,5 x3	10 x3	8	10	7,5	9,5	7	9	1123	71	1000	2000

* Maximum pumps flow at minimum setting pressure of 3rd pressure switch.

Performance

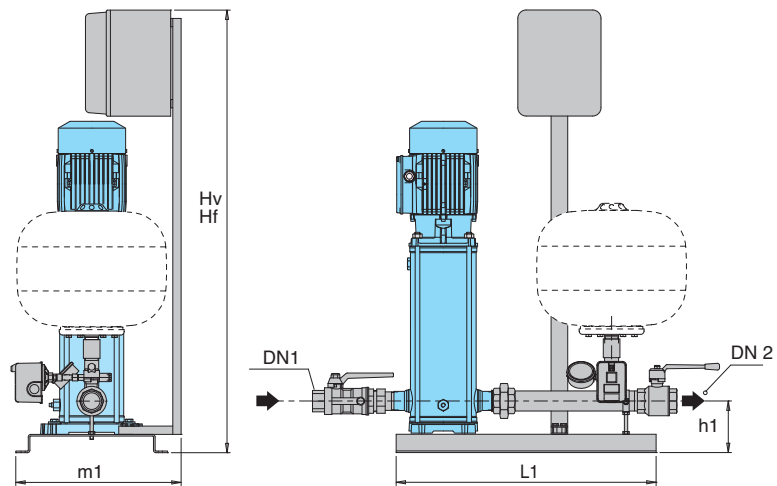
BS..

PUMPS Nos						PUMP TYPE	P ₂ For each pump	
1	2	3	4	5	6		kW	HP
BS1V	BS2V BS1V1F BSM1V1F* BSM2V**	BS3V BS1V2F	BS4V BS1V3F	BS5V BS1V4F	BS6V BS1V5F	MXV-B 25-204	0,75	1
						MXV-B 25-205	0,75	1
						MXV-B 25-206/A	1,1	1,5
						MXV-B 25-207/A	1,1	1,5
						MXV-B 25-208/A	1,5	2
						MXV-B 25-210/A	1,5	2
						MXV-B 32-404/A	1,1	1,5
						MXV-B 32-405/A	1,1	1,5
						MXV-B 32-406/A	1,5	2
						MXV-B 32-407/A	1,5	2
						MXV-B 32-408/B	2,2	3
						MXV-B 32-410/B	2,2	3
						MXV-B 40-804/A	1,5	2
						MXV-B 40-805/B	2,2	3
						MXV-B 40-806/B	2,2	3
						MXV-B 40-807/A	3	4
						MXV-B 40-808/A	3	4
						MXV-B 40-810/B	3,7	5
						MXV-B 50-1803/B	2,2	3
						MXV-B 50-1804/A	3	4
MXV-B 50-1805/B	3,7	5						
MXV-B 50-1806/B	4	5,5						
MXV-B 50-1807/A	5,5	7,5						
MXV-B 50-1808/A	5,5	7,5						
MXV-B 50-1809/A	7,5	10						
MXV-B 50-1810/A	7,5	10						

(*) SYSTEMS WITH:
1 variable speed pump three-phase motor
1 fixed speed pump single-phase motor
Power supply to control panel 230 V single-phase

(**) Three-phase motor 230 V.
Power supply to control panel: - 230 V three-phase
- 230 V single-phase
Frequency converter output is always 230 V three-phase.

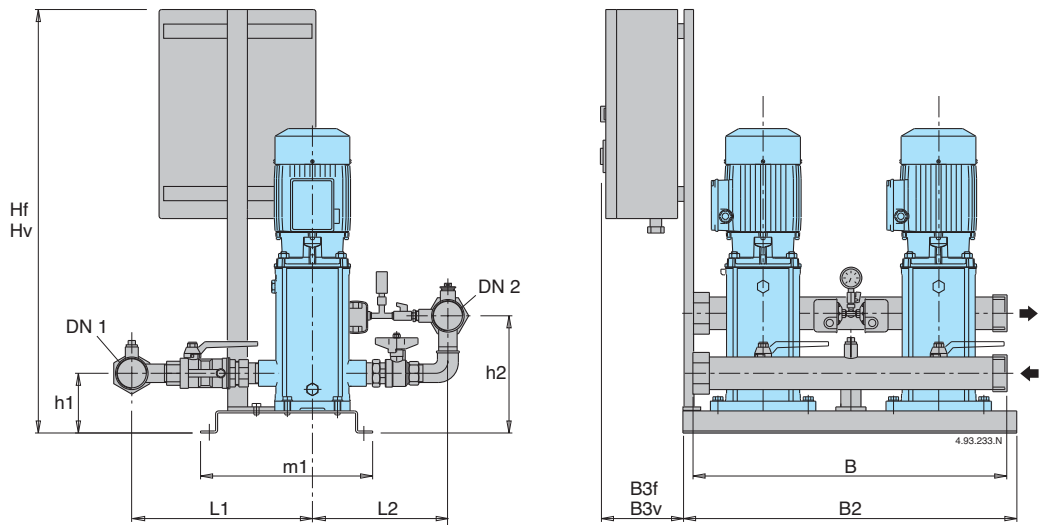
Dimensions and weights



TYPE	TYPE	Connection		mm					weight kg	
		DN 1	DN 2	Hv	Hf	h1	L1	m1		
BS1. 1MXV-B 25-204	BSM1. 1MXV-BM 25-204	G 1	G 1	1345	1065	120	625	410	-	
BS1. 1MXV-B 25-205	BSM1. 1MXV-BM 25-205								-	
BS1. 1MXV-B 25-206/A	BSM1. 1MXV-BM 25-206								-	
BS1. 1MXV-B 25-207/A	BSM1. 1MXV-BM 25-207								-	
BS1. 1MXV-B 25-208/A	BSM1. 1MXV-BM 25-208								-	
BS1. 1MXV-B 25-210/A	BSM1. 1MXV-BM 25-210	G 1 1/4	G 1 1/4	1345	1065	120	625	410	-	
BS1. 1MXV-B 32-404/A	BSM1. 1MXV-BM 32-404								-	
BS1. 1MXV-B 32-405/A	BSM1. 1MXV-BM 32-405								-	
BS1. 1MXV-B 32-406/A	BSM1. 1MXV-BM 32-406								-	
BS1. 1MXV-B 32-407/A	BSM1. 1MXV-BM 32-407								-	
BS1. 1MXV-B 32-408/B		G 1 1/2	G 1 1/2	1345	1065	125	625	410	-	
BS1. 1MXV-B 32-410/B									-	
BS1. 1MXV-B 40-804/A	BSM1. 1MXV-BM 40-804								-	
BS1. 1MXV-B 40-805/B									-	
BS1. 1MXV-B 40-806/B									-	
BS1. 1MXV-B 40-807/A		G 2	G 2	1345	1065	135	625	410	-	
BS1. 1MXV-B 40-808/A									-	
BS1. 1MXV-B 40-810/B									-	
BS1. 1MXV-B 50-1803/B				1445	1445	1065	135	625	410	-
BS1. 1MXV-B 50-1804/A										-
BS1. 1MXV-B 50-1805/B									-	
BS1. 1MXV-B 50-1806/B									-	
BS1. 1MXV-B 50-1807/A									-	
BS1. 1MXV-B 50-1808/A									-	
BS1. 1MXV-B 50-1809/A									-	
BS1. 1MXV-B 50-1810/A									-	

Dimensions not binding to be verified when ordering

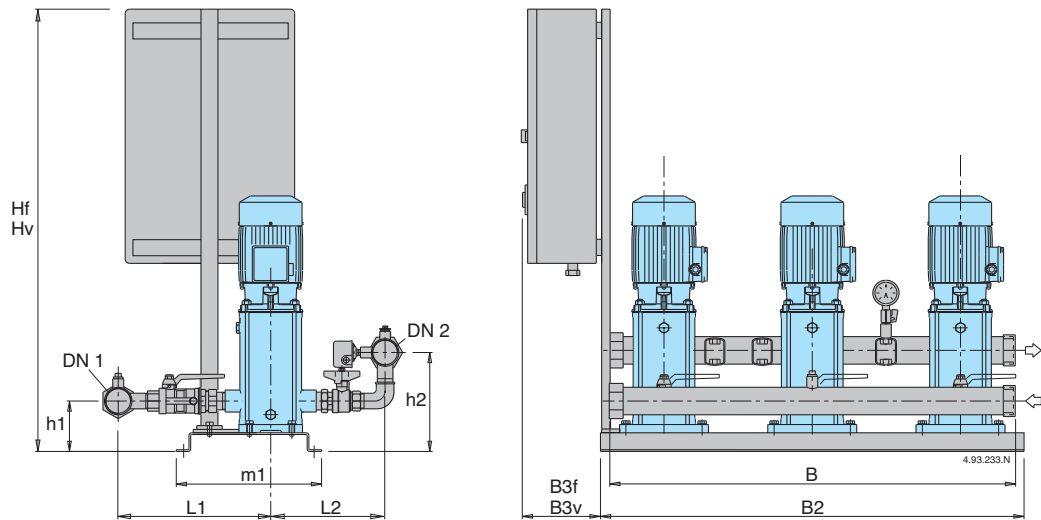
Dimensions and weights



TYPE	TYPE	Connection		mm											weight kg
		DN 1	DN 2	Hf	Hv	h1	h2	L1	L2	m1	B	B2	B3f	B3v	
BS.. 2MXV-B 25-204	BSM.. 2MXV-BM 25-204	G 1 1/2	G 1 1/2	875	1145	119	218	335	254	365	600	625	195	260	105
BS.. 2MXV-B 25-205	BSM.. 2MXV-BM 25-205														107
BS.. 2MXV-B 25-206/A	BSM.. 2MXV-BM 25-206														109
BS.. 2MXV-B 25-207/A	BSM.. 2MXV-BM 25-207														111
BS.. 2MXV-B 25-208/A	BSM.. 2MXV-BM 25-208														118
BS.. 2MXV-B 25-210/A	BSM.. 2MXV-BM 25-210														
BS.. 2MXV-B 32-404/A	BSM.. 2MXV-BM 32-404	G 2	G 2	875	1145	119	225	360	295	365	600	625	195	260	108
BS.. 2MXV-B 32-405/A	BSM.. 2MXV-BM 32-405														111
BS.. 2MXV-B 32-406/A	BSM.. 2MXV-BM 32-406														115
BS.. 2MXV-B 32-407/A	BSM.. 2MXV-BM 32-407														118
BS.. 2MXV-B 32-408/B															121
BS.. 2MXV-B 32-410/B															
BS.. 2MXV-B 40-804/A	BSM.. 2MXV-BM 40-804	G 2 1/2	G 2 1/2	875	1145	124	245	400	305	365	600	625	195	260	116
BS.. 2MXV-B 40-805/B															119
BS.. 2MXV-B 40-806/B															121
BS.. 2MXV-B 40-807/A															143
BS.. 2MXV-B 40-808/A															145
BS.. 2MXV-B 40-810/B															
BS.. 2MXV-B 50-1803/B		G 3	G 3	965	1445	225	225	495	405	550	700	950	160	220	208
BS.. 2MXV-B 50-1804/A															228
BS.. 2MXV-B 50-1805/B															238
BS.. 2MXV-B 50-1806/B															240
BS.. 2MXV-B 50-1807/A															262
BS.. 2MXV-B 50-1808/A															264
BS.. 2MXV-B 50-1809/A															
BS.. 2MXV-B 50-1810/A															

Dimensions not binding to be verified when ordering

Dimensions and weights

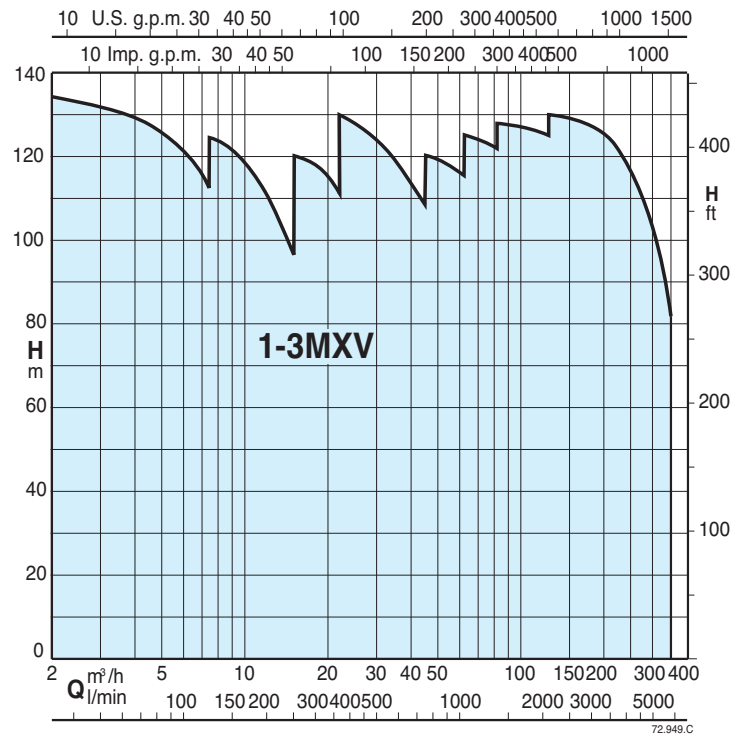


TYPE	Connection		mm											weight
	DN 1	DN 2	Hf	Hv	h1	h2	L1	L2	m1	B	B2	B3f	B3v	kg
BS.. 3MXV-B 25-204														103
BS.. 3MXV-B 25-205														105
BS.. 3MXV-B 25-206/A	G 2	G 2	1090	1160	134	233	340	254	406	950	1000	220	220	107
BS.. 3MXV-B 25-207/A														118
BS.. 3MXV-B 25-208/A														120
BS.. 3MXV-B 25-210/A														
BS.. 3MXV-B 32-404/A														
BS.. 3MXV-B 32-405/A	G 2 1/2	G 2 1/2	1090	1160	134	240	368	295	406	950	1000	220	220	104
BS.. 3MXV-B 32-406/A														108
BS.. 3MXV-B 32-407/A														113
BS.. 3MXV-B 32-408/B														118
BS.. 3MXV-B 32-410/B														122
BS.. 3MXV-B 40-804/A	G 3	G 3	1090	1160	139	260	405	305	406	950	1000	220	220	111
BS.. 3MXV-B 40-805/B														117
BS.. 3MXV-B 40-806/B														123
BS.. 3MXV-B 40-807/A														156
BS.. 3MXV-B 40-808/A														159
BS.. 3MXV-B 40-810/B														
BS.. 3MXV-B 50-1803/B	100	100	1190	1360	280	280	507	418	550	1200	1400	220	220	251
BS.. 3MXV-B 50-1804/A														281
BS.. 3MXV-B 50-1805/B														296
BS.. 3MXV-B 50-1806/B														299
BS.. 3MXV-B 50-1807/A														332
BS.. 3MXV-B 50-1808/A														335
BS.. 3MXV-B 50-1809/A														
BS.. 3MXV-B 50-1810/A														

Dimensions not binding to be verified when ordering



Coverage chart



Operation

BS 1-6F Pressure boosting sets with 1 to 6 fixed speed pump.
Sets with 4,5 and 6 pumps on request.
Depending on the reduction of the pressure in the system, the pressure switches determine the starting up of the pumps in sequence and the microprocessor alternates the starts.

BS1V2-5F Pressure boosting sets with 1 variable speed pump (with frequency converter into the control panel) and from 1 to 5 fixed speed pumps
Sets with 4,5 and 6 pumps on request.
According to the water consumption, one or more pumps start, one at variable speed and the others at fixed speed, to grant the water quantity required at the set pressure.

BS1-6V Pressure boosting sets with 1 to 6 variable speed pumps (with frequency converter into the control panel).
Sets with 4,5 and 6 pumps on request.
Depending on water consumption, one or more pumps are activated, all at variable speed, in order to guarantee the quantity of water required at the set pressure.

Construction

- Automatic pressure boosting plant consisting of 1 vertical multi-stage close coupled pump complete with ball valve on the delivery side, suitable for installation of one cylindrical pressure vessel.

- Automatic pressure boosting plant consisting of 2 to 6 vertical multi-stage close coupled pumps complete with ball, non return valve on the suction side and ball valves on the delivery side.
Suction and delivery manifolds are in AISI 304.
Connections are located on the delivery manifold for the installation of 20 litres cylindrical vessels:
- 2 vessels (for 2MXV 25-32-40), 1 vessel (for 2MXV 50-65-80).
- 3 vessels (for 3MXV 25-32-40), 2 vessels (for 3MXV 50-65-80).

Electrical control boards:

- with microprocessor for fixed speed pump units (see page 504). Motor starting is D.O.L. up to 5,5 kW and Y/Δ for power rating 7,5 up to 15 kW.
- with frequency converter for variable speed pump units (see page 505).

The unit includes one pressure gauge and three adjustable differential pressure switches or pressure transducer (for sets with frequency converter).

Applications

To supply water in civil and industrial buildings.
As pressure boosting pump to increase water pressure when needed (follow local rules).

Motors

2-pole induction motors, 50 Hz, $n \approx 2900$ rpm, suitable for operation with frequency converter.

- Three-phase 230/400V $\pm 10\%$ up to 3 kW;
400/690V $\pm 10\%$ for 4 kW to 37 kW;
- Single-phase 230 V $\pm 10\%$, (on request).

Insulation class F.

Protection IP 54.

Constructed in accordance with: IEC 60034.

Other voltages and frequencies on request.

Vessels on request

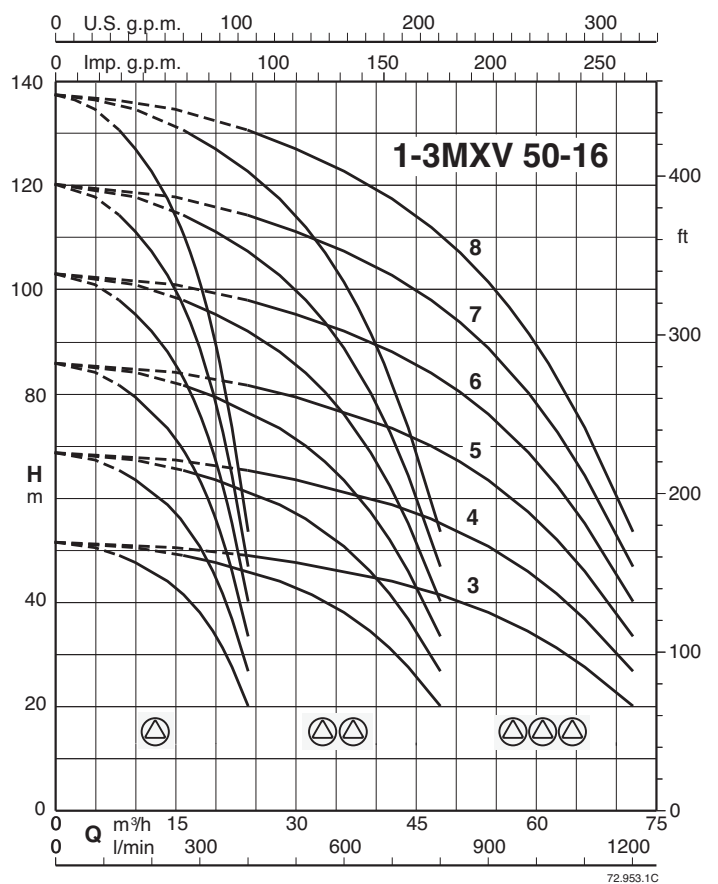
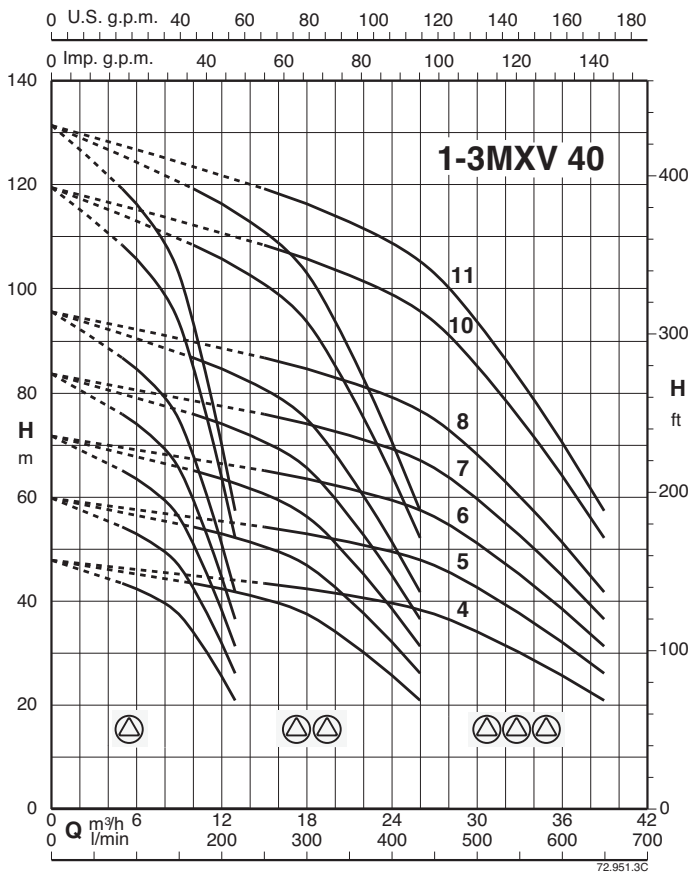
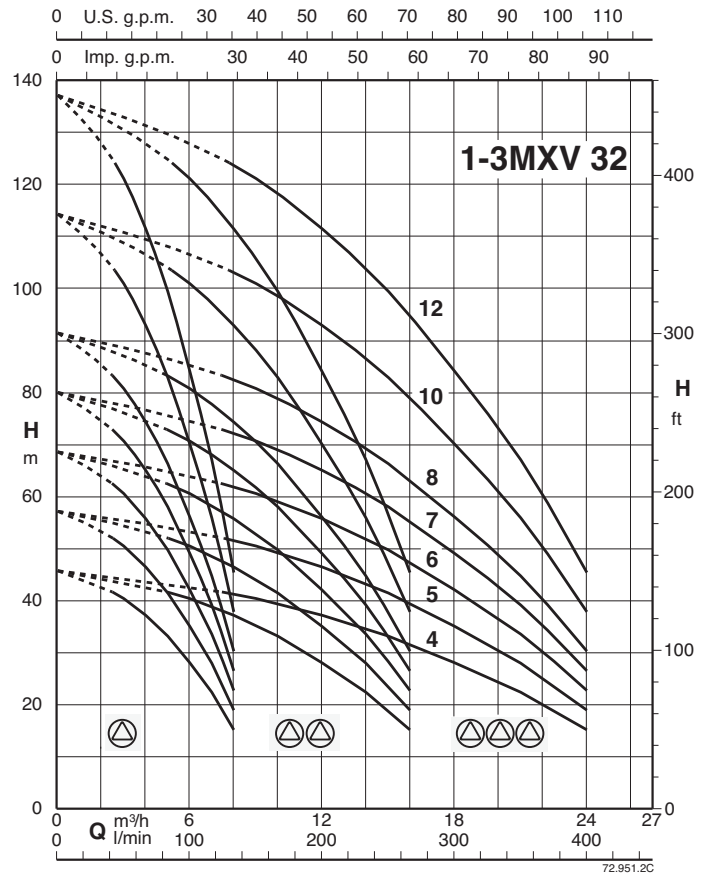
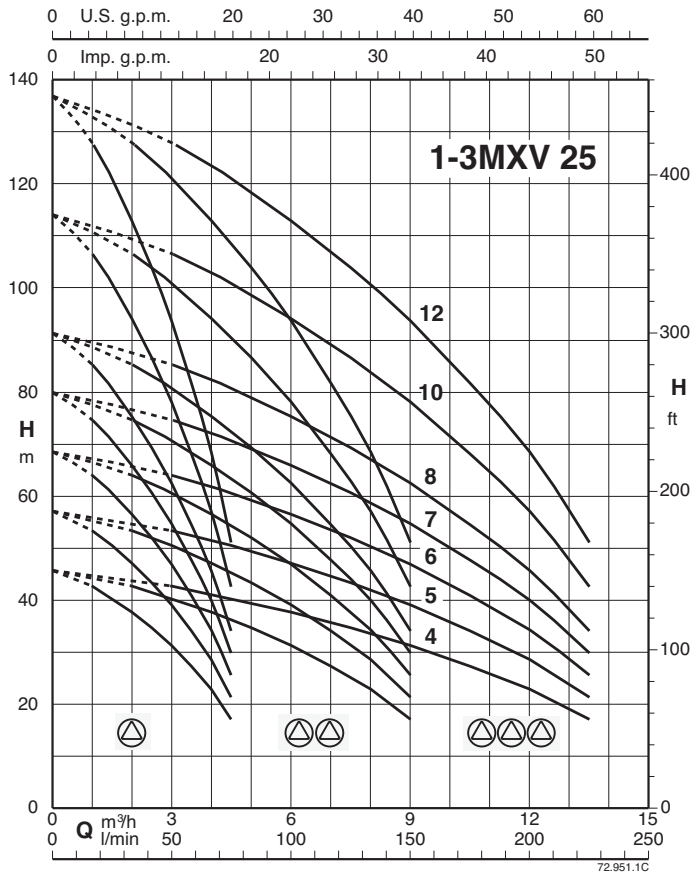
When installing the unit, connect in the delivery section to a diaphragm or galvanised tank.

The recommended sized are shown in the following page.

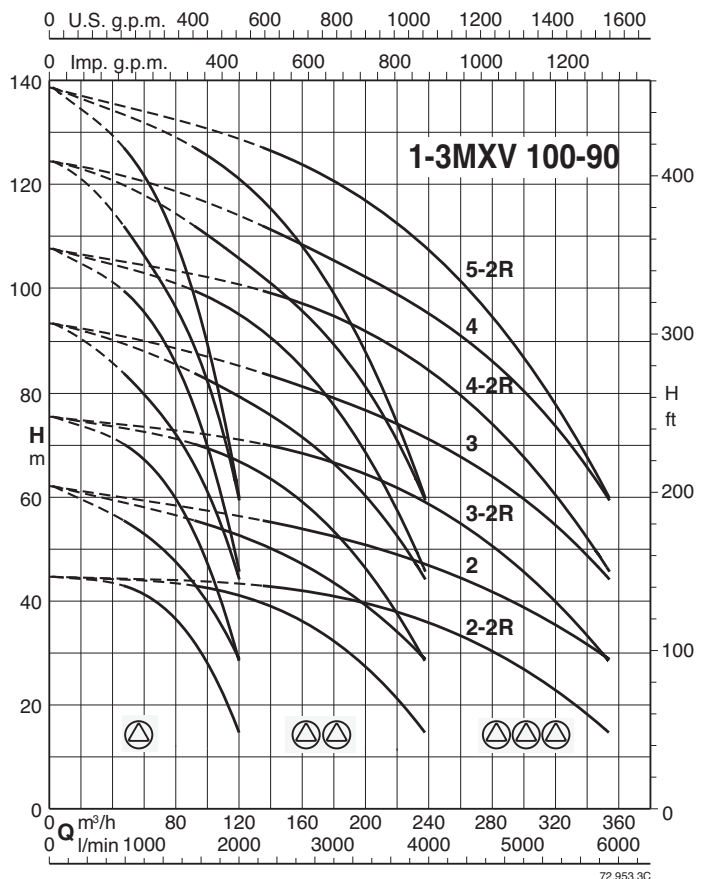
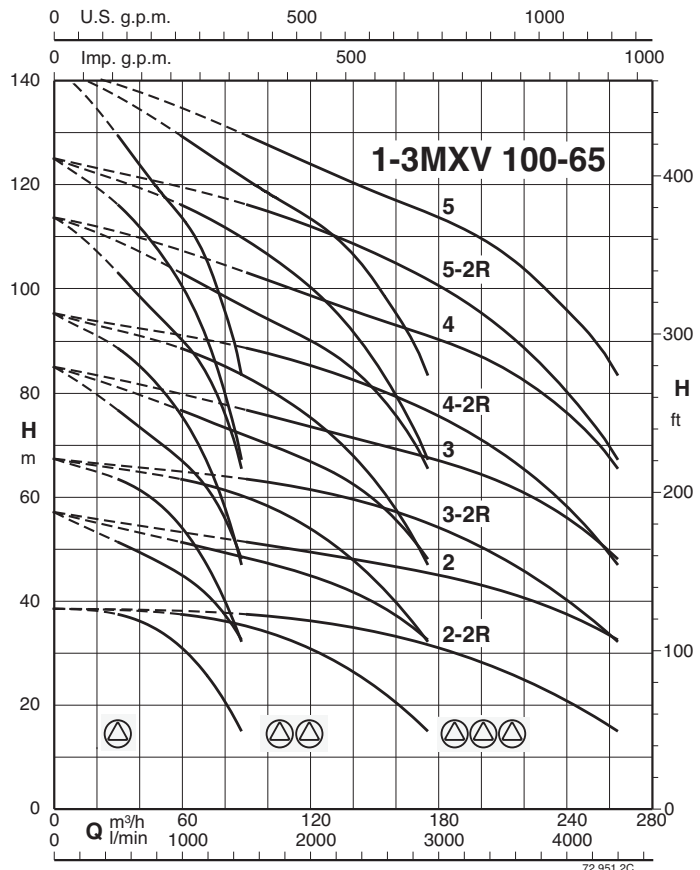
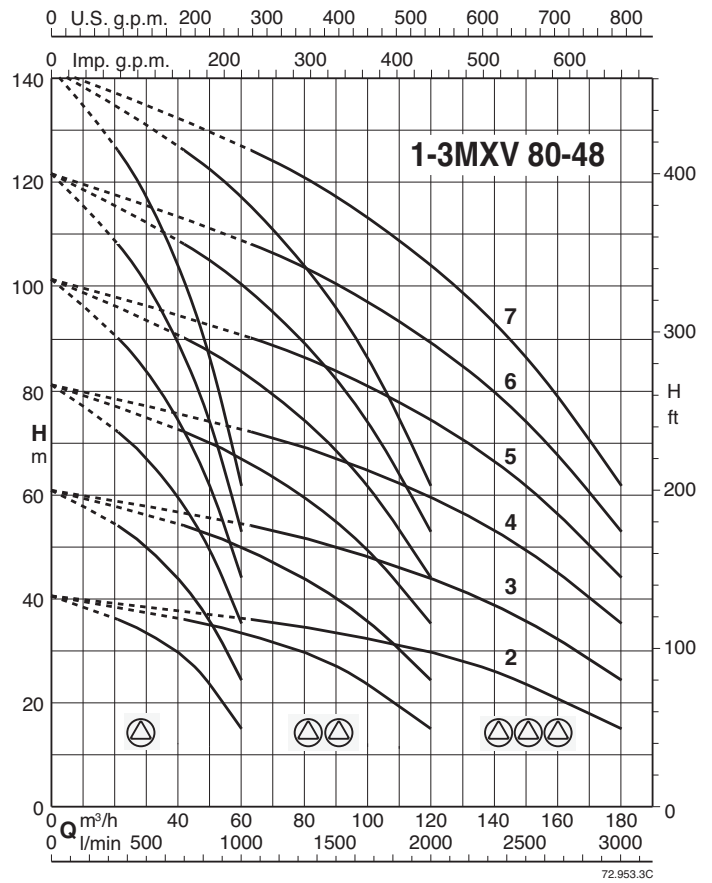
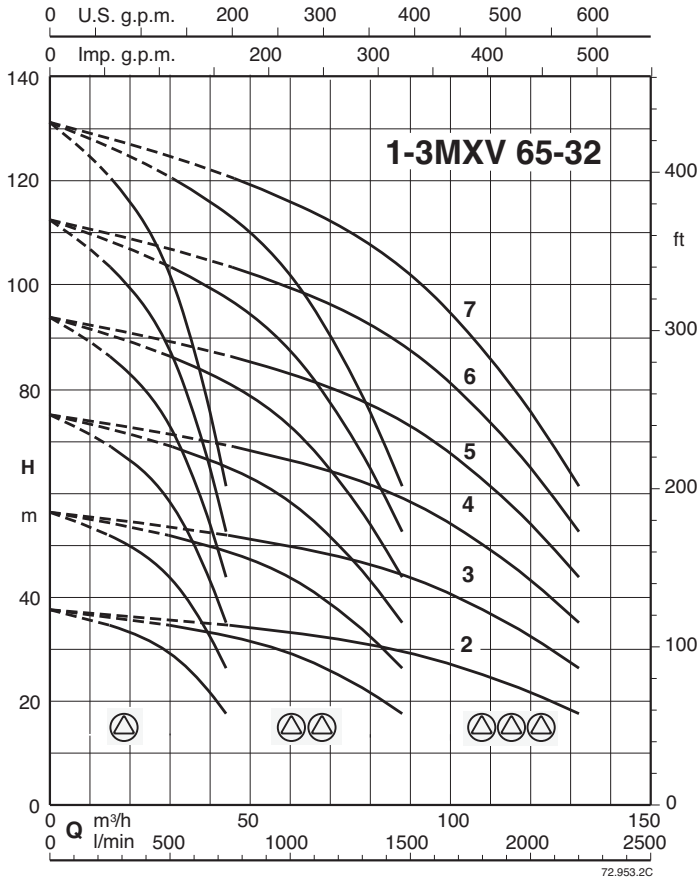
Special features on request

Pressure boosting sets with 4,5 and 6 pumps.

Coverage chart



Coverage chart



Performance

BS1F

BSM1F

Mains: 400V 3~ Motor: 400V 3~	Mains: 230V 1~ Motor: 230V 1~	Motor		Pres. switch 1 bar		Maximum capacity *		Vessel Membrane litre	Vessel litre
		kW	HP	min	max	Q l/min	H m		
BS1F 1MXV 25-204/C	BSM1F 1MXV 25-204M/C	0,75	1	2,5	4	62	25	40	100
BS1F 1MXV 25-205/C	BSM1F 1MXV 25-205M/C	0,75	1	3,5	5	56	36	50	100
BS1F 1MXV 25-206/D	BSM1F 1MXV 25-206M/C	1,1	1,5	4	6	59	41	50	100
BS1F 1MXV 25-207/D	BSM1F 1MXV 25-207M/C	1,1	1,5	5	7	55	51	60	100
BS1F 1MXV 25-208/D	BSM1F 1MXV 25-208M/C	1,5	2	6	8	51	61	100	100
BS1F 1MXV 25-210/D		1,5	2	6,5	8,5	60	66	100	200
BS1F 1MXV 25-212/D		2,2	3	8	10	59	82	200	200
BS1F 1MXV 32-404/D	BSM1F 1MXV 32-404M/C	1,1	1,5	2,3	3,8	114	23	100	100
BS1F 1MXV 32-405/D	BSM1F 1MXV 32-405M/C	1,1	1,5	3,4	4,9	103	35	100	200
BS1F 1MXV 32-406/D	BSM1F 1MXV 32-406M/C	1,5	2	4	6	105	41	100	200
BS1F 1MXV 32-407/D	BSM1F 1MXV 32-407M/C	1,5	2	5	7	99	51	100	200
BS1F 1MXV 32-408/D		2,2	3	6	8	93	61	200	300
BS1F 1MXV 32-410/D		2,2	3	7	9	101	71	300	500
BS1F 1MXV 32-412/C		3	4	8,5	10,5	100	87	300	500
BS1F 1MXV 40-804/D	BSM1F 1MXV 40-804M/C	1,5	2	2,5	4	214	25	200	300
BS1F 1MXV 40-805/D		2,2	3	3,5	5	211	36	300	500
BS1F 1MXV 40-806/D		2,2	3	4	6	211	41	300	500
BS1F 1MXV 40-807/C		3	4	5	7	208	51	500	800
BS1F 1MXV 40-808/C		3	4	6	8	199	61	500	800
BS1F 1MXV 40-810/D		4	5,5	8	10	188	82	1000	1000
BS1F 1MXV 40-811/D		4	5,5	9	11	183	92	1000	1000
BS1F 1MXV 50-1603/C		3	4	3	4,5	367	31	500	800
BS1F 1MXV 50-1604/D		4	5,5	4	6	371	41	750	1000
BS1F 1MXV 50-1605/C		5,5	7,5	5,5	7,5	343	56	1000	1500
BS1F 1MXV 50-1606/C		5,5	7,5	6,5	9	348	66	1000	1500
BS1F 1MXV 50-1607/C		7,5	10	7,5	9,5	353	76	1500	2000
BS1F 1MXV 50-1608/C		7,5	10	8,5	11,5	353	87	1500	2000
BS1F 1MXV 65-3202/D		4	5,5	2	3	704	20	1000	2000
BS1F 1MXV 65-3203/C		5,5	7,5	3,3	4,8	670	34	1500	3000
BS1F 1MXV 65-3204/C		7,5	10	4,5	6,5	662	46	1500	3000
BS1F 1MXV 65-3205/D		11	15	6	8	627	61	2000	4000
BS1F 1MXV 65-3206/D		11	15	6,5	9,5	682	66	3000	4000
BS1F 1MXV 65-3207/D		15	20	7,5	10,5	683	76	4000	5000
BS1F 1MXV 80-4802/C		5,5	7,5	2	3,2	917	20	1500	3000
BS1F 1MXV 80-4803/C		7,5	10	3,5	5	840	36	2000	3000
BS1F 1MXV 80-4804/D		11	15	4,5	6,5	894	46	3000	4000
BS1F 1MXV 80-4805/D		15	20	6	8	848	61	4000	5000
BS1F 1MXV 80-4806/D		15	20	6,5	9,5	911	66	5000	-
BS1F 1MXV 80-4807/D		18,5	25	8	11	882	82	5000	-

* Maximum pumps flow at minimum setting pressure switch.

Performance

BS2F

BSM2F

Mains: 400V 3~ Motor: 400V 3~	Mains: 230V 1~ Motor: 230V 1~	Motor		Pres. switch 1 bar		Pres. switch 2 bar		Maximum capacity *		Vessel Membrane litre	Vessel litre
		kW	HP	min	max	min	max	Q l/min	H m		
BS2F 2MXV 25-204/C	BSM2F 2MXV 25-204M/C	0,75 x2	1 x2	2,5	4	2,2	3,7	135	22	40	100
BS2F 2MXV 25-205/C	BSM2F 2MXV 25-205M/C	0,75 x2	1 x2	3,5	5	3	4,5	128	31	50	100
BS2F 2MXV 25-206/D	BSM2F 2MXV 25-206M/C	1,1 x2	1,5 x2	4	6	3,5	5,5	130	36	50	100
BS2F 2MXV 25-207/D	BSM2F 2MXV 25-207M/C	1,1 x2	1,5 x2	5	7	4,5	6,5	122	46	60	100
BS2F 2MXV 25-208/D	BSM2F 2MXV 25-208M/C	1,5 x2	2 x2	6	8	5,5	7,5	113	56	100	100
BS2F 2MXV 25-210/D		1,5 x2	2 x2	6,5	8,5	6	8	128	61	100	200
BS2F 2MXV 25-212/D		2,2 x2	3 x2	8	10	7,5	9,5	125	76	200	200
BS2F 2MXV 32-404/D	BSM2F 2MXV 32-404M/C	1,1 x2	1,5 x2	2,3	3,8	1,8	3,3	253	18	100	100
BS2F 2MXV 32-405/D	BSM2F 2MXV 32-405M/C	1,1 x2	1,5 x2	3,4	4,9	3	4,5	226	31	100	200
BS2F 2MXV 32-406/D	BSM2F 2MXV 32-406M/C	1,5 x2	2 x2	4	6	3,5	5,5	232	36	100	200
BS2F 2MXV 32-407/D	BSM2F 2MXV 32-407M/C	1,5 x2	2 x2	5	7	4,5	6,5	218	46	100	200
BS2F 2MXV 32-408/D		2,2 x2	3 x2	6	8	5,5	7,5	205	56	200	300
BS2F 2MXV 32-410/D		2,2 x2	3 x2	7	9	6,5	8,5	216	66	300	500
BS2F 2MXV 32-412/C		3 x2	4 x2	8,5	10,5	8	10	213	82	300	500
BS2F 2MXV 40-804/D	BSM2F 2MXV 40-804M/C	1,5 x2	2 x2	2,5	4	2,2	3,7	435	22	200	300
BS2F 2MXV 40-805/D		2,2 x2	3 x2	3,5	5	3	4,5	438	31	300	500
BS2F 2MXV 40-806/D		2,2 x2	3 x2	4	6	3,5	5,5	435	36	300	500
BS2F 2MXV 40-807/C		3 x2	4 x2	5	7	4,5	6,5	434	46	500	800
BS2F 2MXV 40-808/C		3 x2	4 x2	6	8	5,5	7,5	418	56	500	800
BS2F 2MXV 40-810/D		4 x2	5,5 x2	8	10	7,5	9,5	399	76	1000	1000
BS2F 2MXV 40-811/D		4 x2	5,5 x2	9	11	8,5	10,5	390	87	1000	1000
BS2F 2MXV 50-1603/C		3 x2	4 x2	3	4,5	2,5	4	785	25	500	800
BS2F 2MXV 50-1604/D		4 x2	5,5 x2	4	6	3,5	5,5	782	36	750	1000
BS2F 2MXV 50-1605/C		5,5 x2	7,5 x2	5,5	7,5	5	7	734	51	1000	1500
BS2F 2MXV 50-1606/C		5,5 x2	7,5 x2	6,5	9	6	8,5	734	61	1000	1500
BS2F 2MXV 50-1607/C		7,5 x2	10 x2	7,5	9,5	7	9	739	71	1500	2000
BS2F 2MXV 50-1608/C		7,5 x2	10 x2	8,5	11,5	8	11	734	82	1500	2000
BS2F 2MXV 65-3202/D		4 x2	5,5 x2	2	3	1,7	2,7	1464	17	1000	2000
BS2F 2MXV 65-3203/C		5,5 x2	7,5 x2	3,3	4,8	2,8	4,3	1439	29	1500	3000
BS2F 2MXV 65-3204/C		7,5 x2	10 x2	4,5	6,5	4	6	1411	41	1500	3000
BS2F 2MXV 65-3205/D		11 x2	15 x2	6	8	5,5	7,5	1344	56	2000	4000
BS2F 2MXV 65-3206/D		11 x2	15 x2	6,5	9,5	6	9	1417	61	3000	4000
BS2F 2MXV 65-3207/D		15 x2	20 x2	7,5	10,5	7	10	1411	71	4000	5000
BS2F 2MXV 80-4802/C		5,5 x2	7,5 x2	2	3,2	1,6	2,8	1979	16	1500	3000
BS2F 2MXV 80-4803/C		7,5 x2	10 x2	3,5	5	3	4,5	1852	31	2000	3000
BS2F 2MXV 80-4804/D		11 x2	15 x2	4,5	6,5	4	6	1905	41	3000	4000
BS2F 2MXV 80-4805/D		15 x2	20 x2	6	8	5,5	7,5	1809	56	4000	5000
BS2F 2MXV 80-4806/D		15 x2	20 x2	6,5	9,5	6	9	1901	61	5000	-
BS2F 2MXV 80-4807/D		18,5 x2	25 x2	8	11	7,5	10,5	1838	76	5000	-
BS2F 2MXV 100-6502-2R		7,5 x2	10 x2	2,2	2,8	1,9	2,5	2754	19	3000	-
BS2F 2MXV 100-6502		11 x2	15 x2	3,8	4,4	3,5	4,1	2783	36	-	-
BS2F 2MXV 100-6503-2R		15 x2	20 x2	4,3	4,9	4	4,6	3257	41	-	-
BS2F 2MXV 100-6503		18,5 x2	25 x2	5,8	6,7	5,3	6,2	2765	54	-	-
BS2F 2MXV 100-6504-2R		18,5 x2	25 x2	7,2	8,4	6,6	7,8	2343	67	-	-
BS2F 2MXV 100-6504		22 x2	30 x2	7,7	8,9	7,1	8,3	2786	72	-	-
BS2F 2MXV 100-6505-2R		30 x2	40 x2	8,3	9,8	7,5	9	2771	76	-	-
BS2F 2MXV 100-6505		30 x2	40 x2	9,8	11,3	9	10,5	2782	92	-	-
BS2F 2MXV 100-9002-2R		11 x2	15 x2	2,9	3,9	2,4	3,4	3677	24	-	-
BS2F 2MXV 100-9002		15 x2	20 x2	3,7	5,2	3	4,5	3862	31	-	-
BS2F 2MXV 100-9003-2R		18,5 x2	25 x2	4,6	6,1	4,1	5,6	3635	42	-	-
BS2F 2MXV 100-9003		22 x2	30 x2	6,2	7,7	5,4	6,9	3620	55	-	-
BS2F 2MXV 100-9004-2R		30 x2	40 x2	7,4	8,9	6,6	8,1	3474	67	-	-
BS2F 2MXV 100-9004		30 x2	40 x2	8,5	10	7,8	9,3	3441	80	-	-
BS2F 2MXV 100-9005-2R		37 x2	50 x2	9,5	11	8,8	10,3	3350	90	-	-

* Maximum pumps flow at minimum setting pressure of 2nd pressure switch.

Performance

BS3F

Mains: 400V 3~ Motor: 400V 3~	Motor		Pres. switch 1 bar		Pres. switch 2 bar		Pres. switch 3 bar		Maximum capacity *		Vessel Membrane litre	Vessel litre
	kW	HP	min	max	min	max	min	max	Q l/min	H m		
BS3F 3MXV 25-204/C	0,75 x3	1 x3	2,5	4	2,2	3,7	1,9	3,4	216	19	40	100
BS3F 3MXV 25-205/C	0,75 x3	1 x3	3,5	5	3	4,5	2,5	4	212	25	50	100
BS3F 3MXV 25-206/D	1,1 x3	1,5 x3	4	6	3,5	5,5	3	5	211	31	50	100
BS3F 3MXV 25-207/D	1,1 x3	1,5 x3	5	7	4,5	6,5	4	6	199	41	60	100
BS3F 3MXV 25-208/D	1,5 x3	2 x3	6	8	5,5	7,5	5	7	186	51	100	100
BS3F 3MXV 25-210/D	1,5 x3	2 x3	6,5	8,5	6	8	5,5	7,5	203	56	100	200
BS3F 3MXV 25-212/D	2,2 x3	3 x3	8	10	7,5	9,5	7	9	196	71	200	200
BS3F 3MXV 32-404/D	1,1 x3	1,5 x3	2,3	3,8	1,8	3,3	1,3	2,8	406	13	100	100
BS3F 3MXV 32-405/D	1,1 x3	1,5 x3	3,4	4,9	3	4,5	2,6	4,1	365	27	100	200
BS3F 3MXV 32-406/D	1,5 x3	2 x3	4	6	3,5	5,5	3	5	372	31	100	200
BS3F 3MXV 32-407/D	1,5 x3	2 x3	5	7	4,5	6,5	4	6	353	41	100	200
BS3F 3MXV 32-408/D	2,2 x3	3 x3	6	8	5,5	7,5	5	7	332	51	200	300
BS3F 3MXV 32-410/D	2,2 x3	3 x3	7	9	6,5	8,5	6	8	343	61	300	500
BS3F 3MXV 32-412/C	3 x3	4 x3	8,5	10,5	8	10	7,5	9,5	335	76	300	500
BS3F 3MXV 40-804/D	1,5 x3	2 x3	2,5	4	2,2	3,7	1,9	3,4	643	19	200	300
BS3F 3MXV 40-805/D	2,2 x3	3 x3	3,5	5	3	4,5	2,5	4	648	25	300	500
BS3F 3MXV 40-806/D	2,2 x3	3 x3	4	6	3,5	5,5	3	5	649	31	300	500
BS3F 3MXV 40-807/C	3 x3	4 x3	5	7	4,5	6,5	4	6	658	41	500	800
BS3F 3MXV 40-808/C	3 x3	4 x3	6	8	5,5	7,5	5	7	647	51	500	800
BS3F 3MXV 40-810/D	4 x3	5,5 x3	8	10	7,5	9,5	7	9	624	71	1000	1000
BS3F 3MXV 40-811/D	4 x3	5,5 x3	9	11	8,5	10,5	8	10	613	82	1000	1000
BS3F 3MXV 50-1603/C	3 x3	4 x3	3	4,5	2,5	4	2	3,5	1201	20	500	800
BS3F 3MXV 50-1604/D	4 x3	5,5 x3	4	6	3,5	5,5	3	5	1200	31	750	1000
BS3F 3MXV 50-1605/C	5,5 x3	7,5 x3	5,5	7,5	5	7	4,5	6,5	1153	46	1000	1500
BS3F 3MXV 50-1606/C	5,5 x3	7,5 x3	6,5	9	6	8,5	5,5	8	1146	56	1000	1500
BS3F 3MXV 50-1607/C	7,5 x3	10 x3	7,5	9,5	7	9	6,5	8,5	1147	66	1500	2000
BS3F 3MXV 50-1608/C	7,5 x3	10 x3	8,5	11,5	8	11	7,5	10,5	1136	76	1500	2000
BS3F 3MXV 65-3202/D	4 x3	5,5 x3	2	3	1,7	2,7	1,4	2,4	2200	14	1000	2000
BS3F 3MXV 65-3203/C	5,5 x3	7,5 x3	3,3	4,8	2,8	4,3	2,3	3,8	2208	23	1500	3000
BS3F 3MXV 65-3204/C	7,5 x3	10 x3	4,5	6,5	4	6	3,5	5,5	2194	36	1500	3000
BS3F 3MXV 65-3205/D	11 x3	15 x3	6	8	5,5	7,5	5	7	2117	51	2000	4000
BS3F 3MXV 65-3206/D	11 x3	15 x3	6,5	9,5	6	9	5,5	8,5	2178	56	3000	4000
BS3F 3MXV 65-3207/D	15 x3	20 x3	7,5	10,5	7	10	6,5	9,5	2168	66	4000	5000
BS3F 3MXV 80-4802/C	5,5 x3	7,5 x3	2	3,2	1,6	2,8	1,2	2,4	3091	12	1500	3000
BS3F 3MXV 80-4803/C	7,5 x3	10 x3	3,5	5	3	4,5	2,5	4	2971	25	2000	3000
BS3F 3MXV 80-4804/D	11 x3	15 x3	4,5	6,5	4	6	3,5	5,5	2987	36	3000	4000
BS3F 3MXV 80-4805/D	15 x3	20 x3	6	8	5,5	7,5	5	7	2854	51	4000	5000
BS3F 3MXV 80-4806/D	15 x3	20 x3	6,5	9,5	6	9	5,5	8,5	2950	56	5000	-
BS3F 3MXV 80-4807/D	18,5 x3	25 x3	8	11	7,5	10,5	7	10	2855	71	5000	-
BS3F 3MXV 100-6502-2R	7,5 x3	10 x3	2,2	2,8	1,9	2,5	1,6	2,2	4312	19	-	-
BS3F 3MXV 100-6502	11 x3	15 x3	3,8	4,4	3,5	4,1	3,2	3,8	4334	36	-	-
BS3F 3MXV 100-6503-2R	15 x3	20 x3	4,3	4,9	4	4,6	3,7	4,3	4584	41	-	-
BS3F 3MXV 100-6503	18,5 x3	25 x3	5,8	6,7	5,3	6,2	4,9	5,8	4293	54	-	-
BS3F 3MXV 100-6504-2R	18,5 x3	25 x3	7,2	8,4	6,6	7,8	6	7,2	3881	67	-	-
BS3F 3MXV 100-6504	22 x3	30 x3	7,7	8,9	7,1	8,3	6,5	7,7	4319	72	-	-
BS3F 3MXV 100-6505-2R	30 x3	40 x3	8,3	9,8	7,5	9	6,8	8,3	4309	76	-	-
BS3F 3MXV 100-6505	30 x3	40 x3	9,8	11,3	9	10,5	8,3	9,8	4315	92	-	-
BS3F 3MXV 100-9002-2R	11 x3	15 x3	2,9	3,9	2,4	3,4	1,9	2,9	5831	24	-	-
BS3F 3MXV 100-9002	15 x3	20 x3	3,7	5,2	3	4,5	2,3	3,8	6046	31	-	-
BS3F 3MXV 100-9003-2R	18,5 x3	25 x3	4,6	6,1	4,1	5,6	3,4	4,9	5791	42	-	-
BS3F 3MXV 100-9003	22 x3	30 x3	6,2	7,7	5,4	6,9	4,7	6,2	5800	55	-	-
BS3F 3MXV 100-9004-2R	30 x3	40 x3	7,4	8,9	6,6	8,1	5,9	7,4	5571	67	-	-
BS3F 3MXV 100-9004	30 x3	40 x3	8,5	10	7,8	9,3	7,1	8,6	5542	80	-	-
BS3F 3MXV 100-9005-2R	37 x3	50 x3	9,5	11	8,8	10,3	8,1	9,6	5364	90	-	-

* Maximum pumps flow at minimum setting pressure of 3rd pressure switch.

Performance

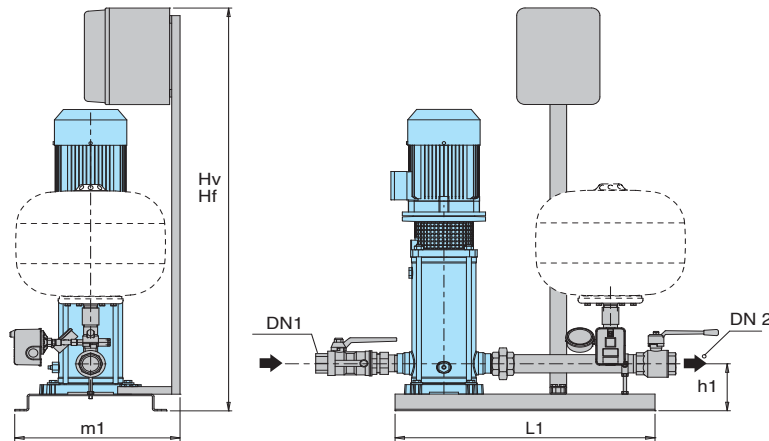
BS..

PUMPS Nos						PUMP TYPE	P ₂ For each pump	
1	2	3	4	5	6		kW	HP
BS1V	BS2V BS1V1F BSM1V1F* BSM2V**	BS3V BS1V2F	BS4V BS1V3F	BS5V BS1V4F	BS6V BS1V5F	MXV 25-204/C	0,75	1
						MXV 25-205/C	0,75	1
						MXV 25-206/D	1,1	1,5
						MXV 25-207/D	1,1	1,5
						MXV 25-208/D	1,5	2
						MXV 25-210/D	1,5	2
						MXV 25-212/D	2,2	3
						MXV 32-404/D	1,1	1,5
						MXV 32-405/D	1,1	1,5
						MXV 32-406/D	1,5	2
						MXV 32-407/D	1,5	2
						MXV 32-408/D	2,2	3
						MXV 32-410/D	2,2	3
						MXV 32-412/C	3	4
						MXV 40-804/D	1,5	2
						MXV 40-805/D	2,2	3
						MXV 40-806/D	2,2	3
						MXV 40-807/C	3	4
						MXV 40-808/C	3	4
						MXV 40-810/D	4	5,5
						MXV 40-811/D	4	5,5
						MXV 50-1603/C	3	4
						MXV 50-1604/D	4	5,5
						MXV 50-1605/C	5,5	7,5
						MXV 50-1606/C	5,5	7,5
						MXV 50-1607/C	7,5	10
						MXV 50-1608/C	7,5	10
						MXV 65-3202/D	4	5,5
						MXV 65-3203/C	5,5	7,5
						MXV 65-3204/C	7,5	10
						MXV 65-3205/D	11	15
						MXV 65-3206/D	11	15
						MXV 65-3207/D	15	20
						MXV 80-4802/C	5,5	7,5
						MXV 80-4803/C	7,5	10
						MXV 80-4804/D	11	15
						MXV 80-4805/D	15	20
						MXV 80-4806/D	15	20
						MXV 80-4807/D	18,5	25
						MXV 100-6502-2R	7,5	10
MXV 100-6502	11	15						
MXV 100-6503-2R	15	20						
MXV 100-6503	18,5	25						
MXV 100-6504-2R	18,5	25						
MXV 100-6504	22	30						
MXV 100-6505-2R	30	40						
MXV 100-6505	30	40						
MXV 100-9002-2R	11	15						
MXV 100-9002	15	20						
MXV 100-9003-2R	18,5	25						
MXV 100-9003	22	30						
MXV 100-9004-2R	30	40						
MXV 100-9004	30	40						
MXV 100-9005-2R	37	50						

(*) SYSTEMS WITH:
1 variable speed pump three-phase motor
1 fixed speed pump single-phase motor
Power supply to control panel 230 V
single-phase

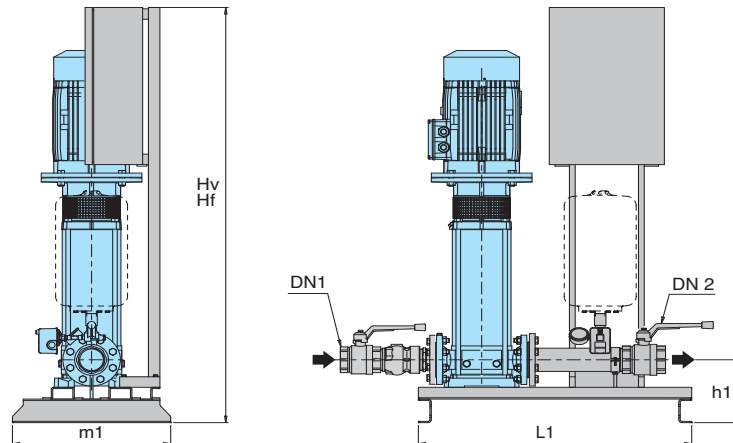
(**) Three-phase motor 230 V.
Power supply to control panel:
- 230 V three-phase
- 230 V single-phase
Frequency converter output is always
230 V three-phase.

Dimensions and weights



TYPE	TYPE	Connection		mm					weight kg
		DN 1	DN 2	Hv	Hf	h1	L1	m1	
BS1. 1MXV 25-204/C	BSM1. 1MXV 25-204M	G 1	G 1	1345	1065	120	625	410	
BS1. 1MXV 25-205/C	BSM1. 1MXV 25-205M								
BS1. 1MXV 25-206/D	BSM1. 1MXV 25-206M								
BS1. 1MXV 25-207/D	BSM1. 1MXV 25-207M								
BS1. 1MXV 25-208/D	BSM1. 1MXV 25-208M								
BS1. 1MXV 25-210/D									
BS1. 1MXV 25-212/C									
BS1. 1MXV 32-404/D	BSM1. 1MXV 32-404M	G 1 1/4	G 1 1/4	1345	1065	120	625	410	
BS1. 1MXV 32-405/D	BSM1. 1MXV 32-405M								
BS1. 1MXV 32-406/D	BSM1. 1MXV 32-406M								
BS1. 1MXV 32-407/C	BSM1. 1MXV 32-407M								
BS1. 1MXV 32-408/C									
BS1. 1MXV 32-410/D									
BS1. 1MXV 32-412/D									
BS1. 1MXV 40-804/D	BSM1. 1MXV 40-804M	G 1 1/2	G 1 1/2	1345	1065	125	625	410	
BS1. 1MXV 40-805/D									
BS1. 1MXV 40-806/D									
BS1. 1MXV 40-807/D									
BS1. 1MXV 40-808/D									
BS1. 1MXV 40-810/D									
BS1. 1MXV 40-811/D									

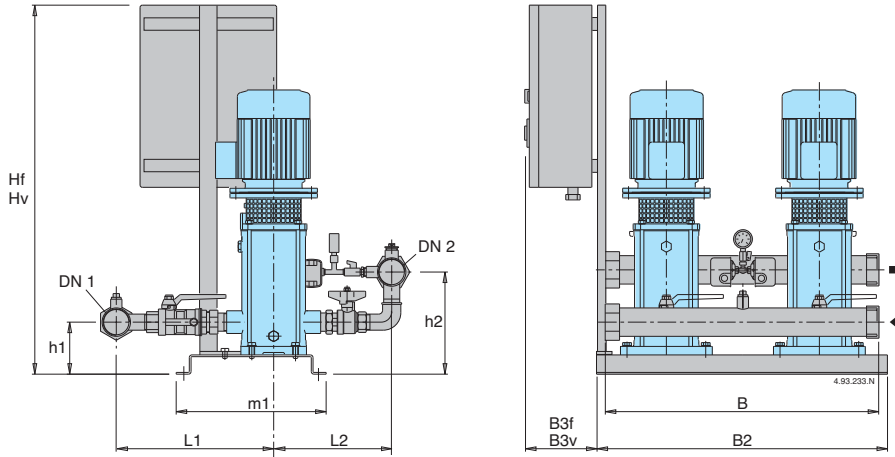
Dimensions not binding to be verified when ordering



TYPE	Connection		mm					weight kg
	DN 1	DN 2	Hv	Hf	h1	L1	m1	
BS.. 1MXV 50-1603/C	G 2	G 2	1485	1155	225	950	550	
BS.. 1MXV 50-1604/D								
BS.. 1MXV 50-1605/C								
BS.. 1MXV 50-1606/C								
BS.. 1MXV 50-1607/C								
BS.. 1MXV 50-1608/C								
BS.. 1MXV 65-3202/D	G 2 1/2	G 2 1/2	1485	1155	240	950	550	
BS.. 1MXV 65-3203/C								
BS.. 1MXV 65-3204/C								
BS.. 1MXV 65-3205/D								
BS.. 1MXV 65-3206/D								
BS.. 1MXV 65-3207/D								
BS.. 1MXV 80-4802/C	G 3	G 3	1585	1155	240	950	550	
BS.. 1MXV 80-4803/C								
BS.. 1MXV 80-4804/D								
BS.. 1MXV 80-4805/D								
BS.. 1MXV 80-4806/D								
BS.. 1MXV 80-4807/D			1785					

Dimensions not binding to be verified when ordering

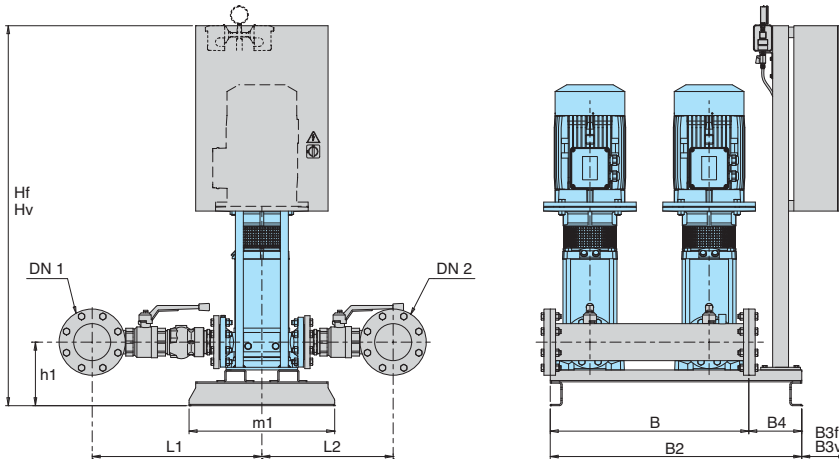
Dimensions and weights



TYPE	TYPE	Connection		mm											weight kg
		DN 1	DN 2	Hf	Hv	h1	h2	L1	L2	m1	B	B2	B3f	B3v	
BS.. 2MXV 25-204/C	BS.. 2MXV 25-204M	G 1 1/2	G 1 1/2	875	1145	119	218	335	254	365	600	625	195	260	110
BS.. 2MXV 25-205/C	BS.. 2MXV 25-205M														112
BS.. 2MXV 25-206/D	BS.. 2MXV 25-206M														114
BS.. 2MXV 25-207/D	BS.. 2MXV 25-207M														116
BS.. 2MXV 25-208/D	BS.. 2MXV 25-208M														126
BS.. 2MXV 25-210/D	BS.. 2MXV 25-210M														
BS.. 2MXV 25-212/C	BS.. 2MXV 25-212M														
BS.. 2MXV 32-404/D	BS.. 2MXV 32-404M	G 2	G 2	875	1145	119	225	360	295	365	600	625	195	260	113
BS.. 2MXV 32-405/D	BS.. 2MXV 32-405M														115
BS.. 2MXV 32-406/D	BS.. 2MXV 32-406M														125
BS.. 2MXV 32-407/C	BS.. 2MXV 32-407M														127
BS.. 2MXV 32-408/C															137
BS.. 2MXV 32-410/D															
BS.. 2MXV 32-412/D															
BS.. 2MXV 40-804/D	BS.. 2MXV 40-804M	G 2 1/2	G 2 1/2	875	1145	124	245	400	305	365	600	625	195	260	126
BS.. 2MXV 40-805/D															136
BS.. 2MXV 40-806/D															138
BS.. 2MXV 40-807/D															164
BS.. 2MXV 40-808/D															166
BS.. 2MXV 40-810/D															
BS.. 2MXV 40-811/D															

Dimensions not binding to be verified when ordering

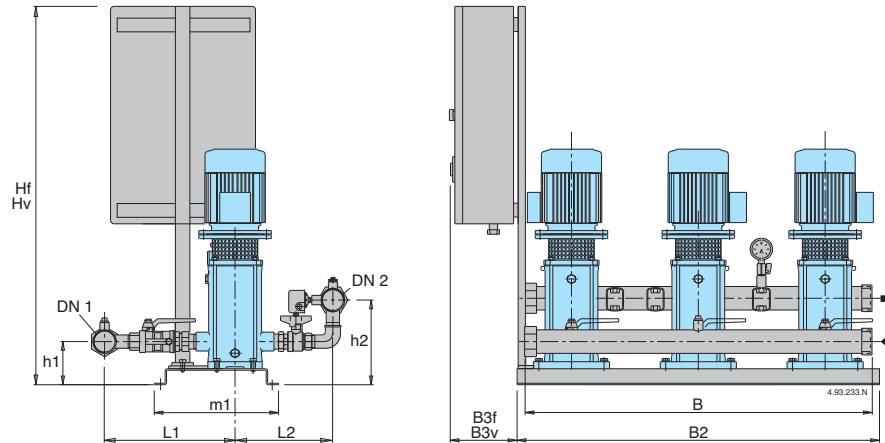
Dimensions and weights



TYPE	Connection		mm											weight kg
	DN 1	DN 2	Hf	Hv	h1	L1	L2	m1	B	B2	B3f	B3v	B4	
BS.. 2MXV 50-1603/C	G 3	G 3	965	1445	225	455	355	550	700	950	160	170	225	282
BS.. 2MXV 50-1604/D														298
BS.. 2MXV 50-1605/C														336
BS.. 2MXV 50-1606/C														340
BS.. 2MXV 50-1607/C														
BS.. 2MXV 50-1608/C														
BS.. 2MXV 65-3202/D	100	100	965	1445	240	560	425	550	750	950	160	170	200	358
BS.. 2MXV 65-3203/C														396
BS.. 2MXV 65-3204/C														420
BS.. 2MXV 65-3205/D														480
BS.. 2MXV 65-3206/D														
BS.. 2MXV 65-3207/D														
BS.. 2MXV 80-4802/C	125	125	965	1445	240	640	500	550	750	950	160	170	200	408
BS.. 2MXV 80-4803/C														432
BS.. 2MXV 80-4804/D														490
BS.. 2MXV 80-4805/D														520
BS.. 2MXV 80-4806/D														
BS.. 2MXV 80-4807/D														
BS.. 2MXV 100-6502-2R	150	150	*	*	*	*	*	*	950	950	*	*	*	
BS.. 2MXV 100-6502														
BS.. 2MXV 100-6503-2R														
BS.. 2MXV 100-6503														
BS.. 2MXV 100-6504-2R														
BS.. 2MXV 100-6504														
BS.. 2MXV 100-6505-2R														
BS.. 2MXV 100-6505														
BS.. 2MXV 100-9002-2R	200	200	*	*	*	*	*	*	950	950	*	*	*	
BS.. 2MXV 100-9002														
BS.. 2MXV 100-9003-2R														
BS.. 2MXV 100-9003														
BS.. 2MXV 100-9004-2R														
BS.. 2MXV 100-9004														
BS.. 2MXV 100-9005-2R														

Dimensions not binding to be verified when ordering * Dimensions on request

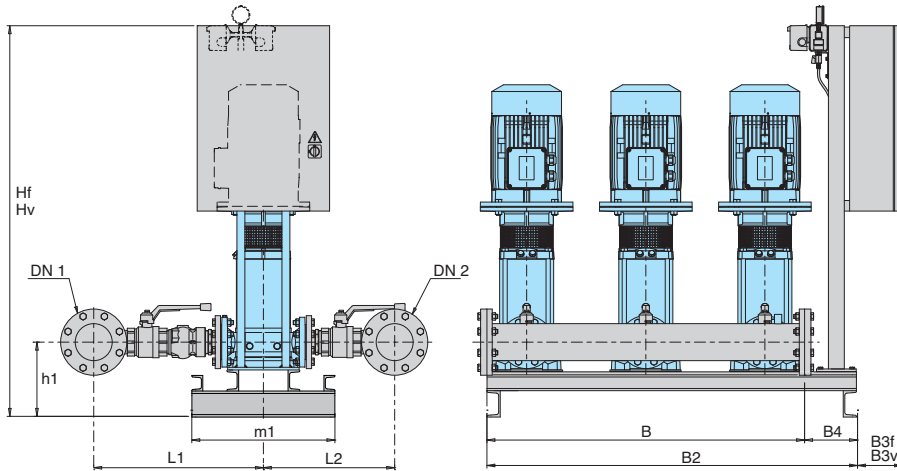
Dimensions and weights



TYPE	Connection		mm											weight kg
	DN 1	DN 2	Hf	Hv	h1	h2	L1	L2	m1	B	B2	B3f	B3v	
BS.. 3MXV 25-204/C	G 2	G 2	1090	1160	134	233	340	254	406	950	1000	220	220	110
BS.. 3MXV 25-205/C														112
BS.. 3MXV 25-206/D														114
BS.. 3MXV 25-207/D														116
BS.. 3MXV 25-208/D														126
BS.. 3MXV 25-210/D														
BS.. 3MXV 25-212/C	G 2 1/2	G 2 1/2	1090	1160	134	240	368	295	406	950	1000	220	220	113
BS.. 3MXV 32-404/D														115
BS.. 3MXV 32-405/D														125
BS.. 3MXV 32-406/D														127
BS.. 3MXV 32-407/C														137
BS.. 3MXV 32-408/C														
BS.. 3MXV 32-410/D	G 3	G 3	1090	1160	139	260	405	305	406	950	1000	220	220	126
BS.. 3MXV 40-804/D														136
BS.. 3MXV 40-805/D														138
BS.. 3MXV 40-806/D														164
BS.. 3MXV 40-807/D														166
BS.. 3MXV 40-808/D														
BS.. 3MXV 40-810/D														
BS.. 3MXV 40-811/D														

Dimensions not binding to be verified when ordering

Dimensions and weights



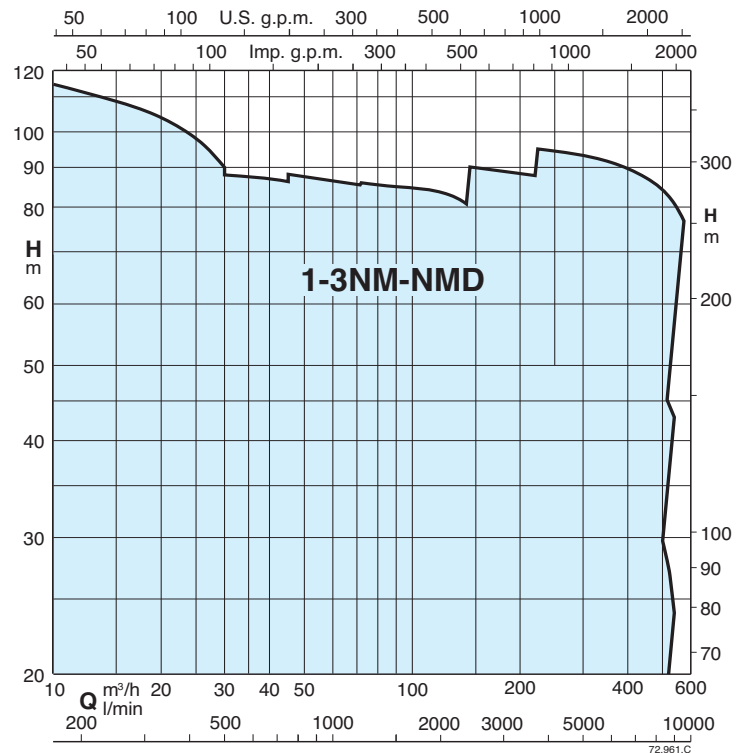
TYPE	Connection		mm											weight
	DN 1	DN 2	Hf	Hv	h1	L1	L2	m1	B	B2	B3f	B3v	B4	kg
BS.. 3MXV 50-1603/C	100	100	1160	1440	275	470	365	550	1200	1400	200	170	200	282
BS.. 3MXV 50-1604/D				298										
BS.. 3MXV 50-1605/C			1540	336										
BS.. 3MXV 50-1606/C			1540	340										
BS.. 3MXV 50-1607/C			220											
BS.. 3MXV 50-1608/C														
BS.. 3MXV 65-3202/D	125	125	1160	1440	290	672	487	550	1200	1400	200	170	200	358
BS.. 3MXV 65-3203/C				1540								396		
BS.. 3MXV 65-3204/C			1540	420										
BS.. 3MXV 65-3205/D			*	480										
BS.. 3MXV 65-3206/D			*											
BS.. 3MXV 65-3207/D														
BS.. 3MXV 80-4802/C	150	150	1160	1540	290	655	515	550	1200	1400	200	220	200	408
BS.. 3MXV 80-4803/C				*								432		
BS.. 3MXV 80-4804/D			*	490										
BS.. 3MXV 80-4805/D			*	520										
BS.. 3MXV 80-4806/D			*											
BS.. 3MXV 80-4807/D														
BS.. 3MXV 100-6502-2R	200	200	*	*	*	*	*	1500	*	*	*	*	*	
BS.. 3MXV 100-6502														
BS.. 3MXV 100-6503-2R														
BS.. 3MXV 100-6503														
BS.. 3MXV 100-6504-2R														
BS.. 3MXV 100-6504														
BS.. 3MXV 100-6505-2R														
BS.. 3MXV 100-6505														
BS.. 3MXV 100-9002-2R	250	250	*	*	*	*	*	1500	*	*	*	*	*	
BS.. 3MXV 100-9002														
BS.. 3MXV 100-9003-2R														
BS.. 3MXV 100-9003														
BS.. 3MXV 100-9004-2R														
BS.. 3MXV 100-9004														
BS.. 3MXV 100-9005-2R														

Dimensions not binding to be verified when ordering * Dimensions on request

* Cabinet version



Coverage chart



Operation

BS 1-6F Pressure boosting sets with 1 to 6 fixed speed pump.
Sets with 4,5 and 6 pumps on request.
Depending on the reduction of the pressure in the system, the pressure switches determine the starting up of the pumps in sequence and the microprocessor alternates the starts.

BS1V2-5F Pressure boosting sets with 1 variable speed pump (with frequency converter into the control panel) and from 1 to 5 fixed speed pumps
Sets with 4,5 and 6 pumps on request.
According to the water consumption, one or more pumps start, one at variable speed and the others at fixed speed, to grant the water quantity required at the set pressure.

BS1-6V Pressure boosting sets with 1 to 6 variable speed pumps (with frequency converter into the control panel).
Sets with 4,5 and 6 pumps on request.
Depending on water consumption, one or more pumps are activated, all at variable speed, in order to guarantee the quantity of water required at the set pressure.

Construction

- Automatic pressure boosting plant consisting of 1 centrifugal pump complete with ball valve on the delivery side, suitable for installation of one cylindrical pressure vessel.
- Automatic pressure boosting plant consisting of 2 to 6 centrifugal pumps complete with ball, non return valve on the suction side and ball valves on the delivery side.
Suction and delivery manifolds are in steel.
Connections are located on the delivery manifold for the installation of 20 litres cylindrical vessels:
 - 2 vessels (for 2NM).
 - 3 vessels (for 3NM).

Electrical control boards:

- with microprocessor for fixed speed pump units (see page 504). Motor starting is D.O.L. up to 5,5 kW and Y/Δ for power rating 7,5 up to 55 kW.
- with frequency converter for variable speed pump units (see page 505).

The unit includes one pressure gauge and three adjustable differential pressure switches or pressure transducer (for sets with frequency converter).

Applications

To supply water in civil and industrial buildings.
As pressure boosting pump to increase water pressure when needed (follow local rules).

Motors

2-pole induction motors, 50 Hz, $n \approx 2900$ rpm, suitable for operation with frequency converter.

- Three-phase 230/400V $\pm 10\%$ up to 3 kW;
400/690V $\pm 10\%$ for 4 kW to 55 kW;

Insulation class F.

Protection IP 54.

Constructed in accordance with: IEC 60034.

Other voltages and frequencies on request.

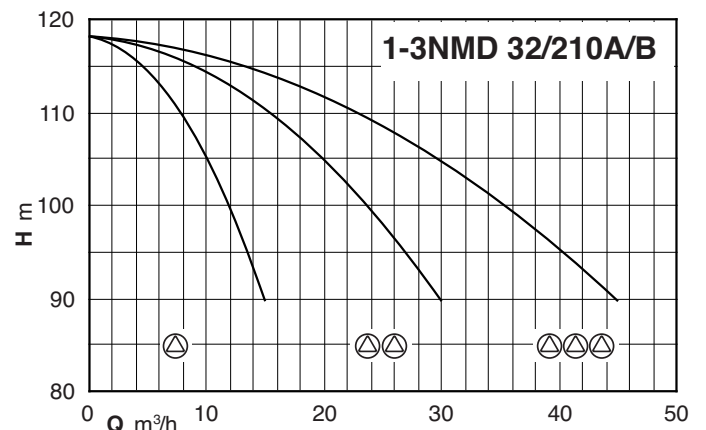
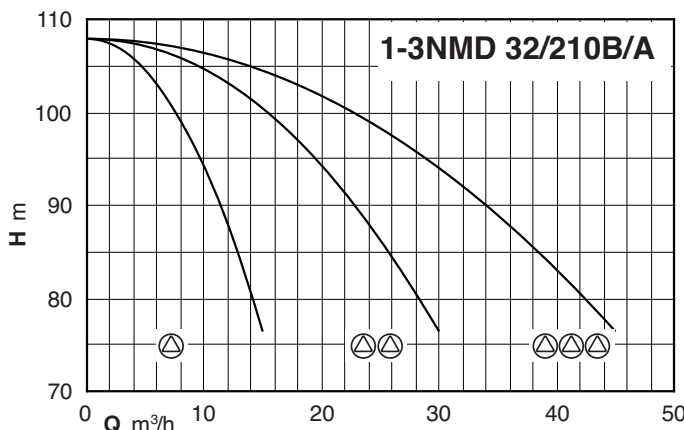
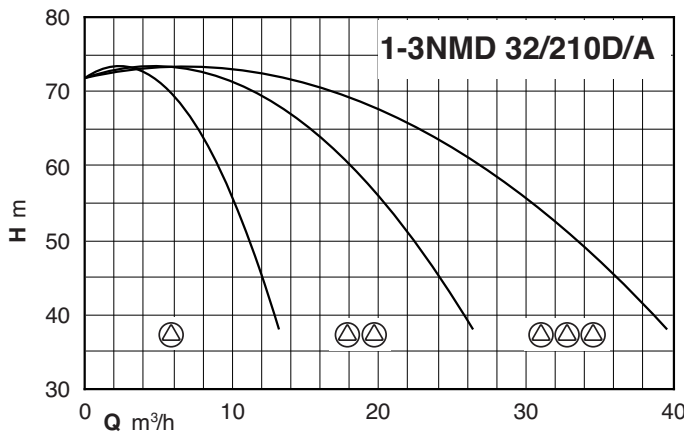
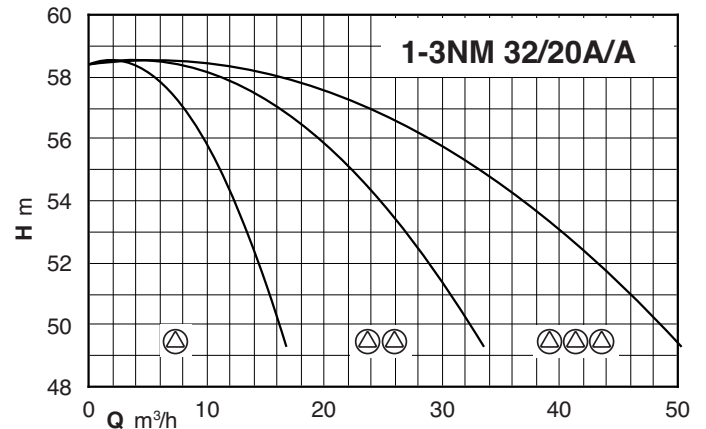
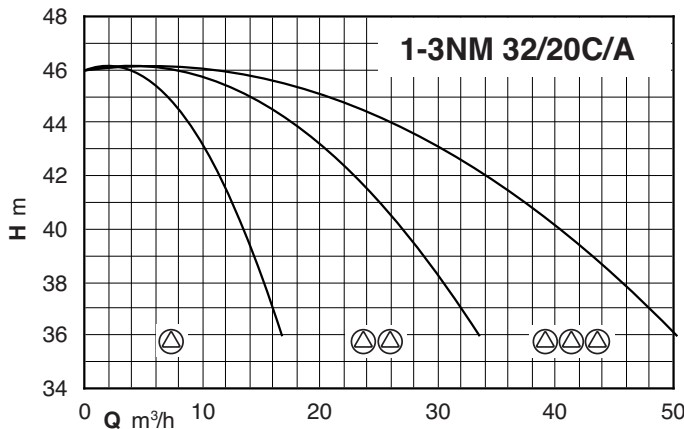
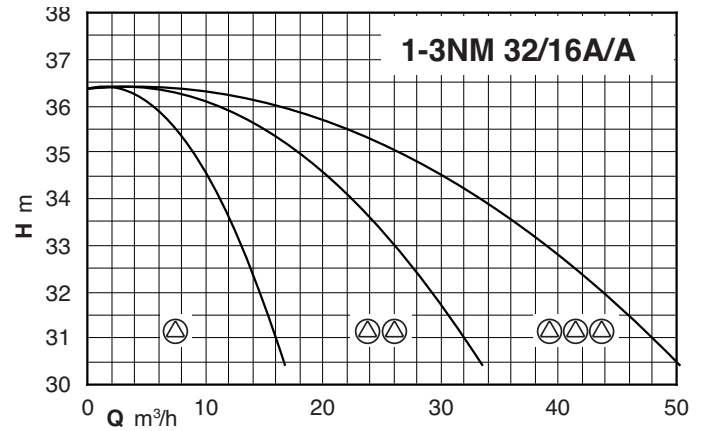
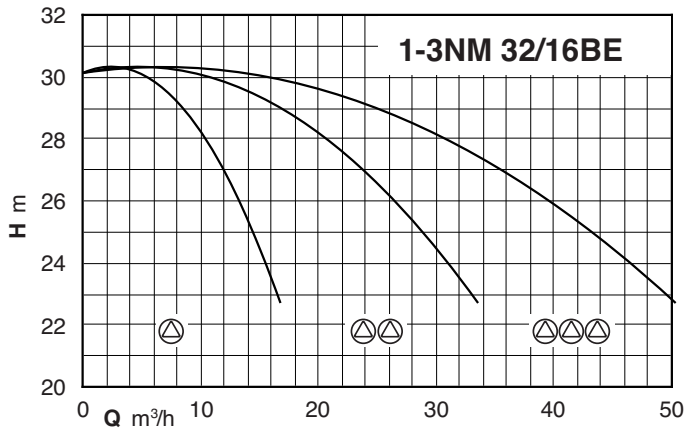
Vessels on request

When installing the unit in the delivery section to a diaphragm or galvanised tank.
The recommended sized are shown in the following page.

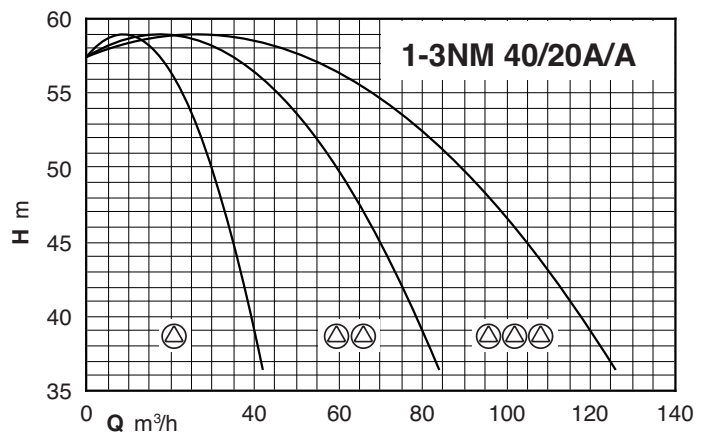
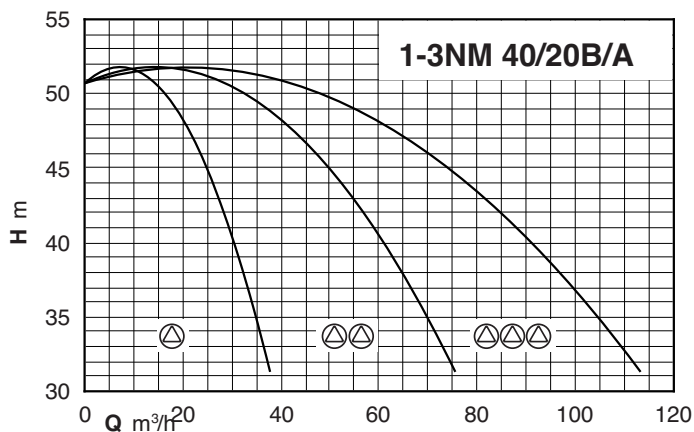
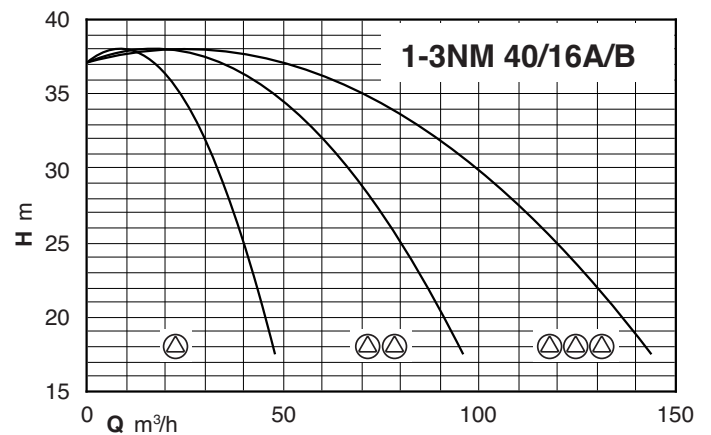
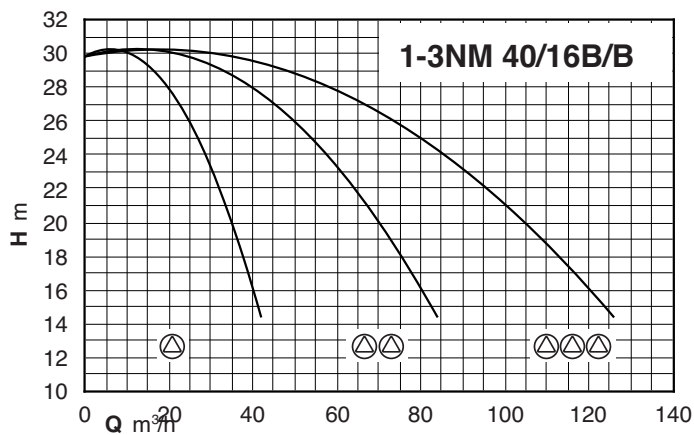
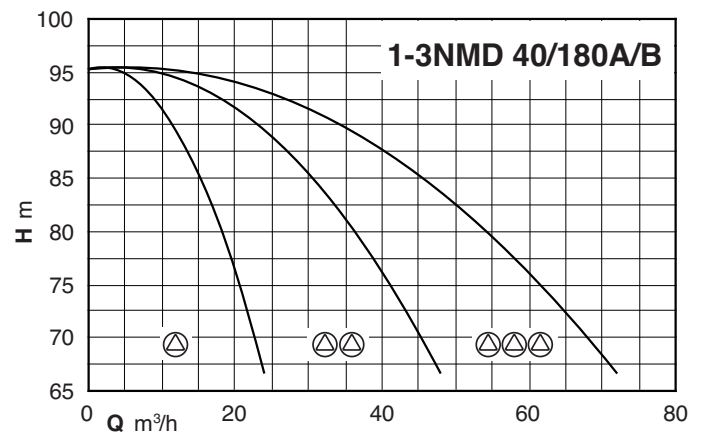
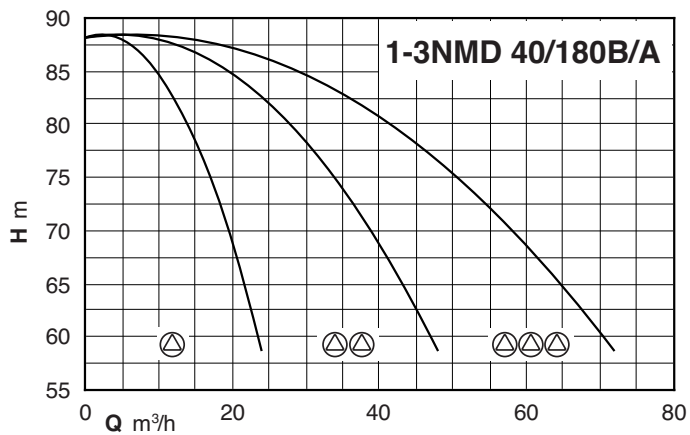
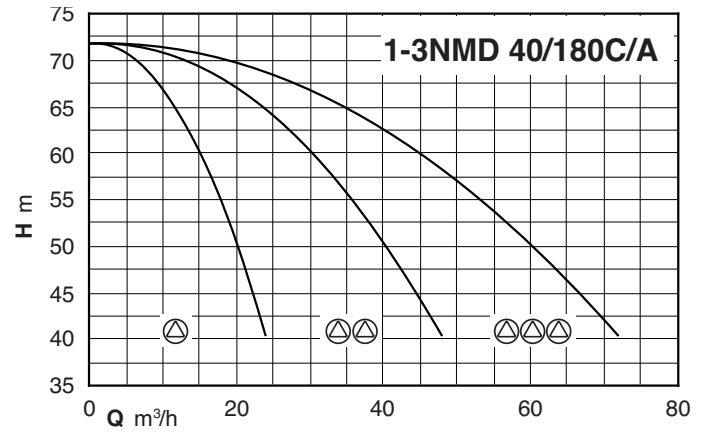
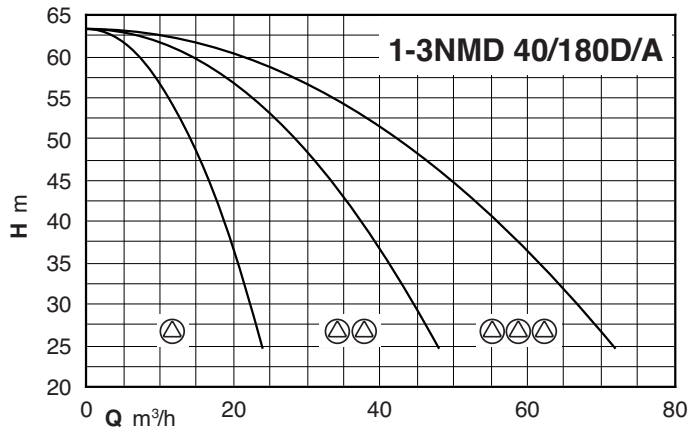
Special features on request

Pressure boosting sets with 4,5 and 6 pumps.

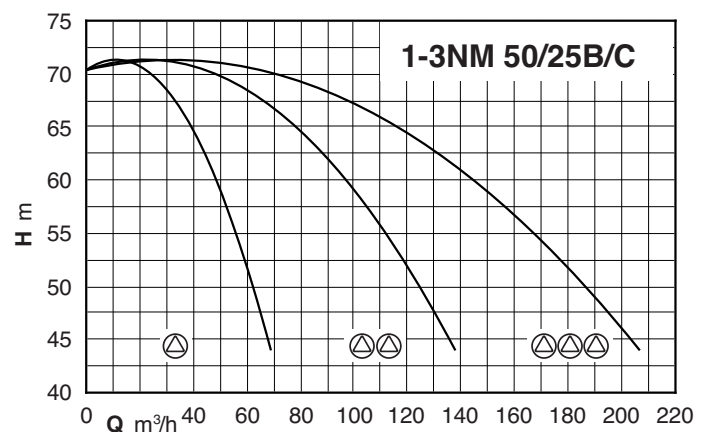
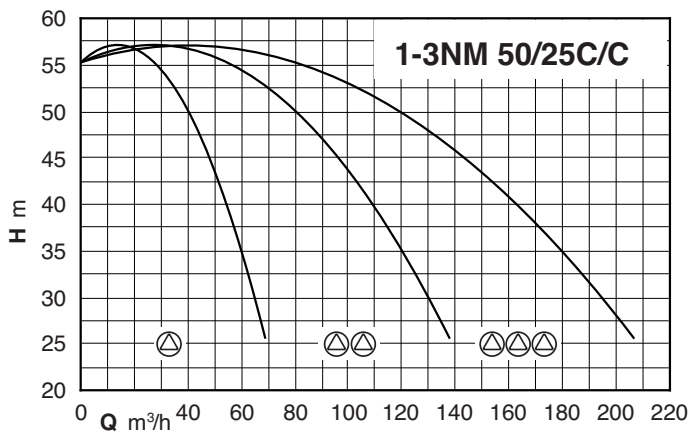
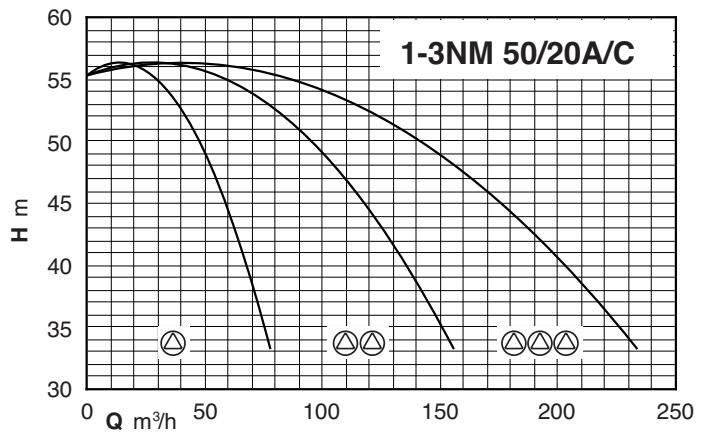
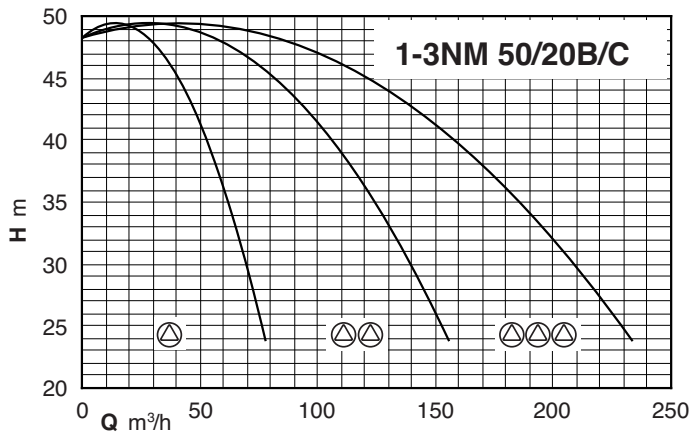
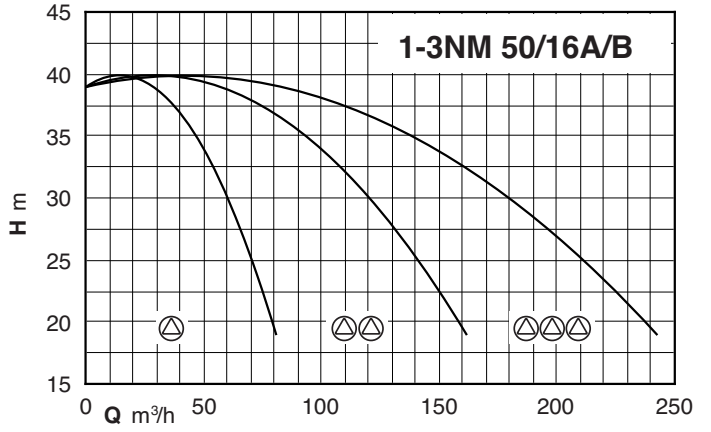
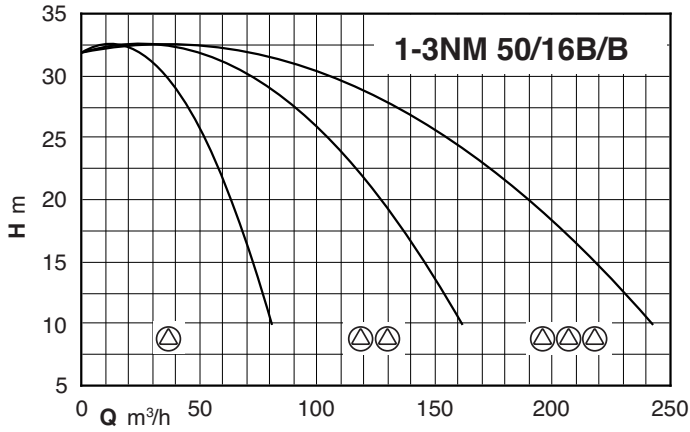
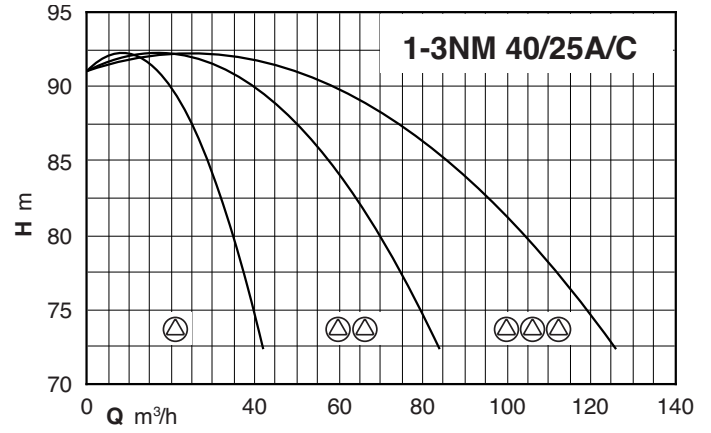
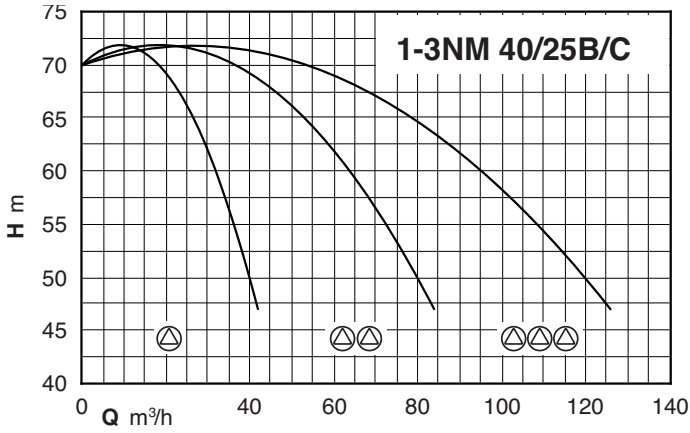
Coverage chart



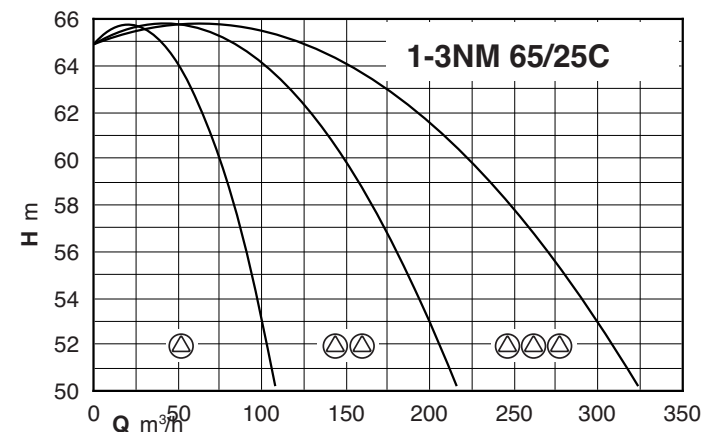
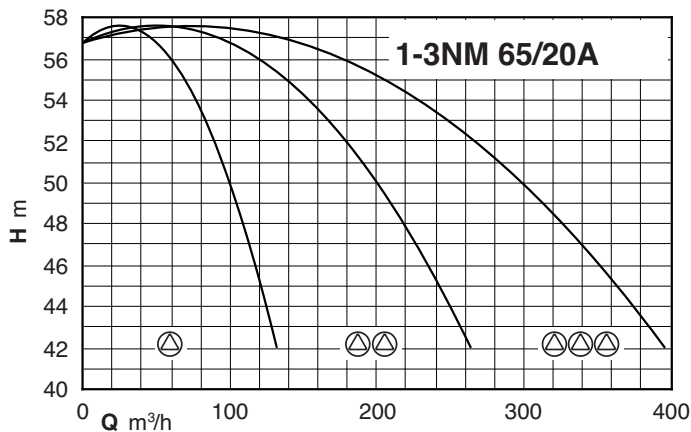
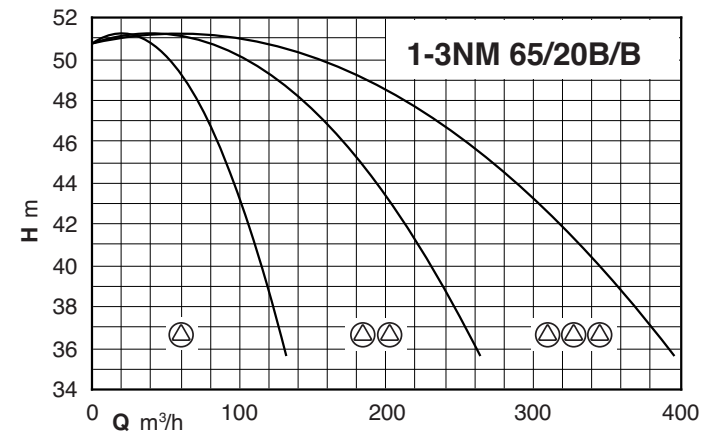
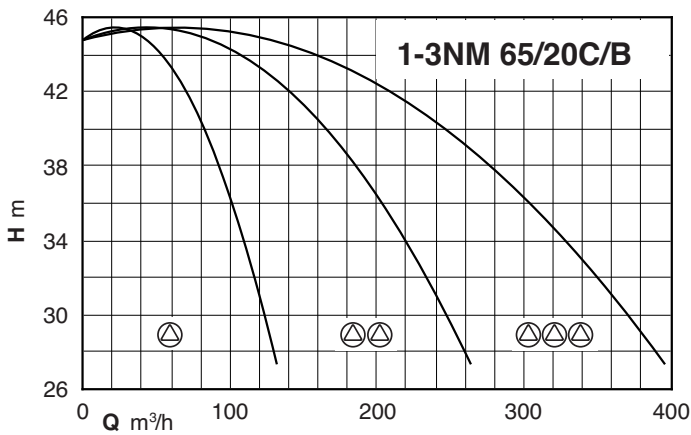
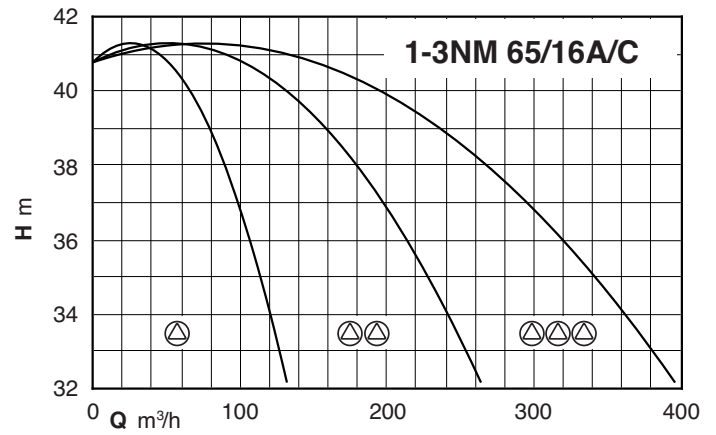
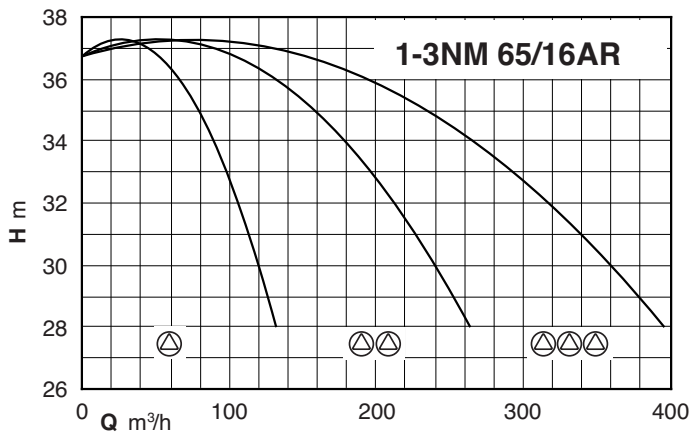
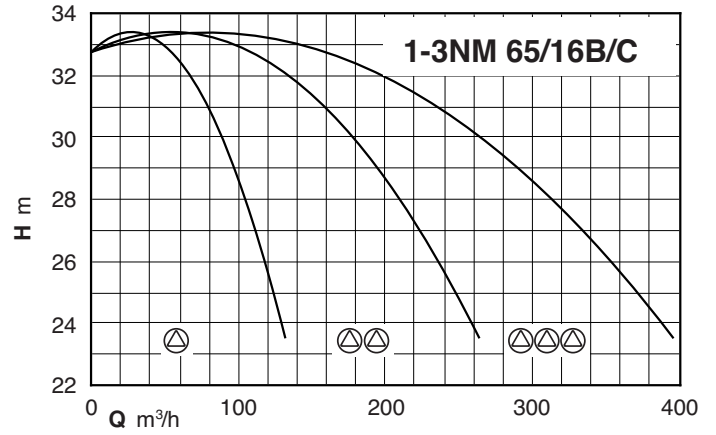
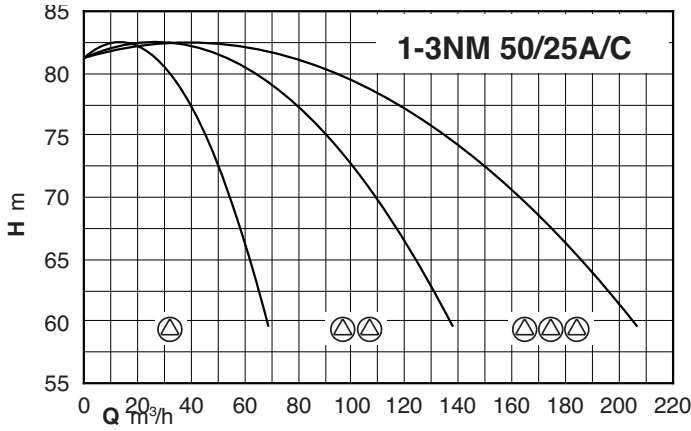
Coverage chart



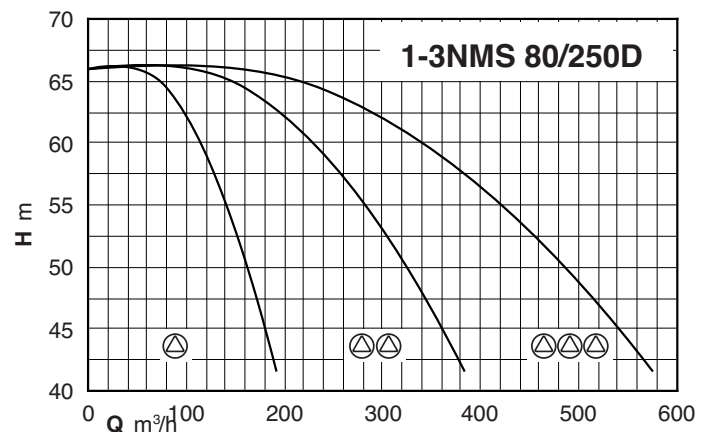
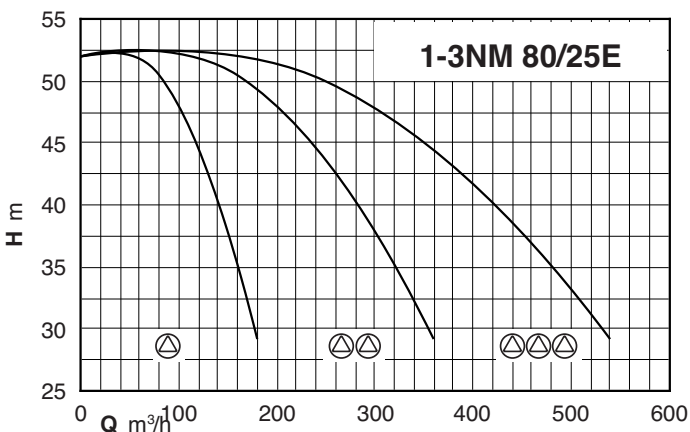
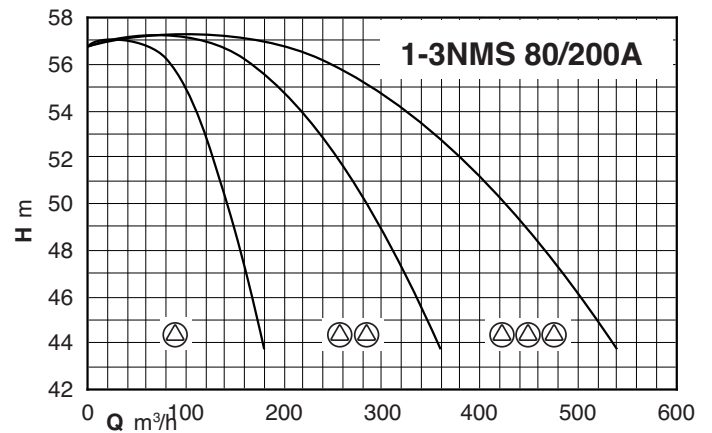
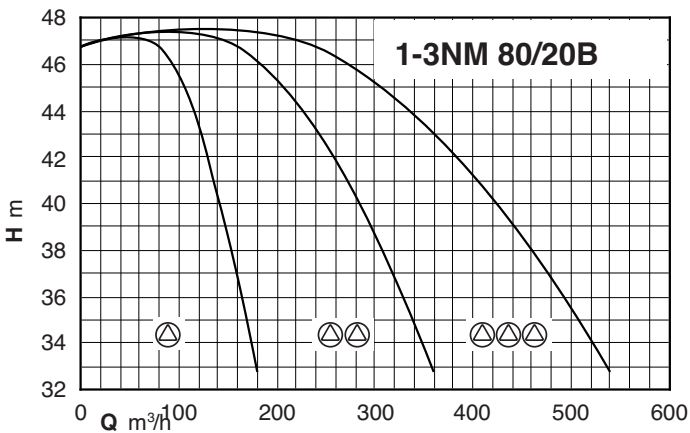
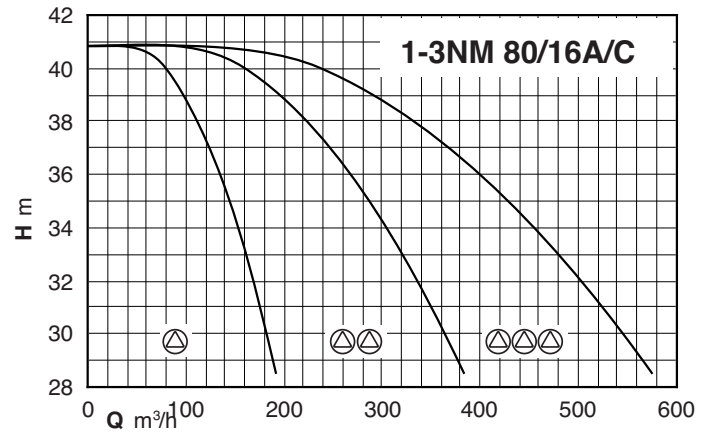
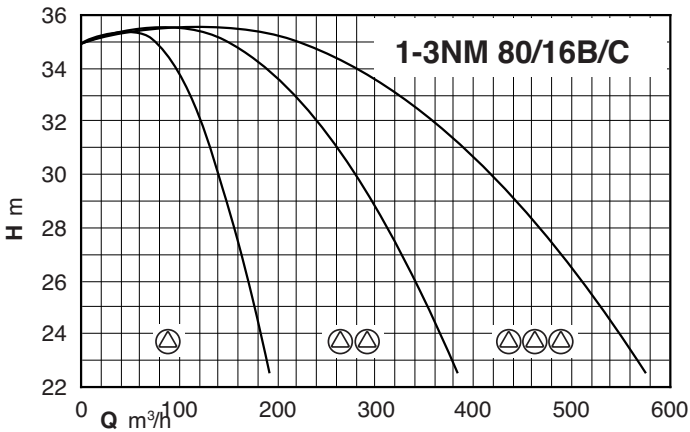
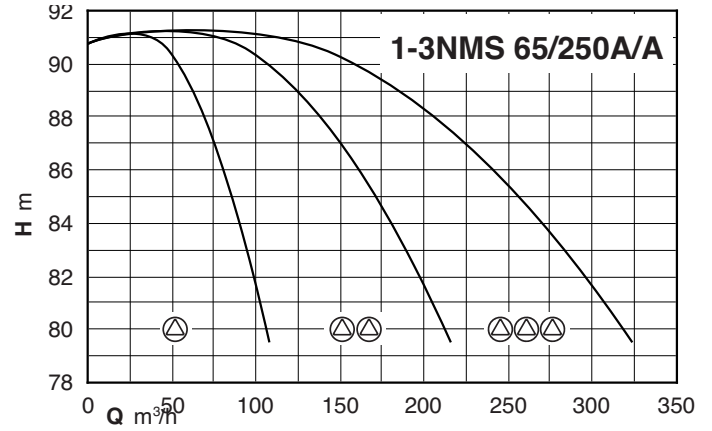
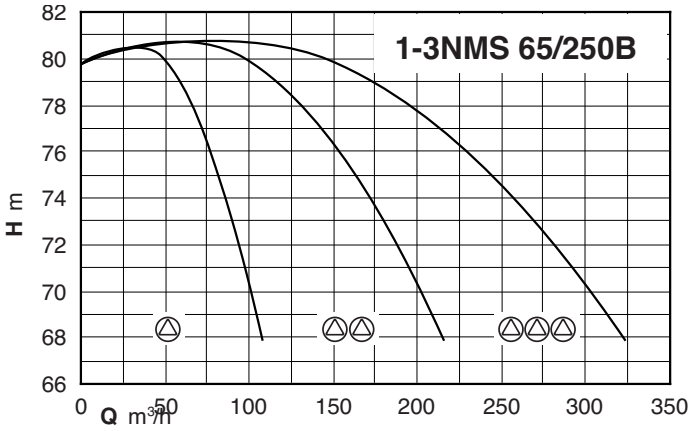
Coverage chart



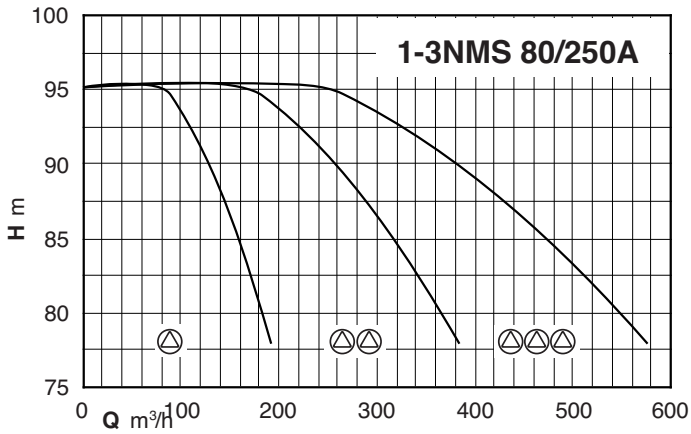
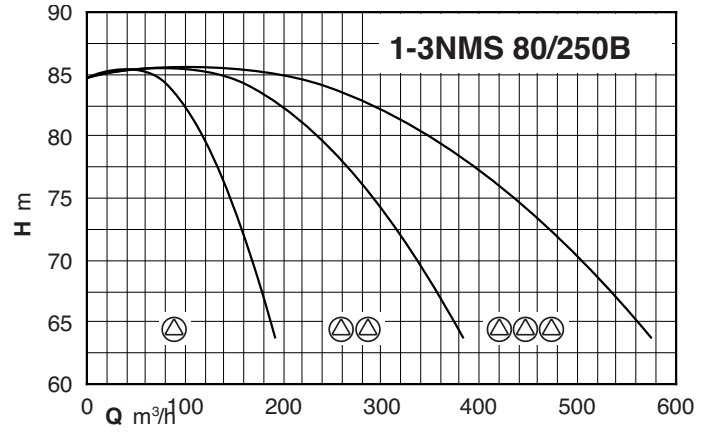
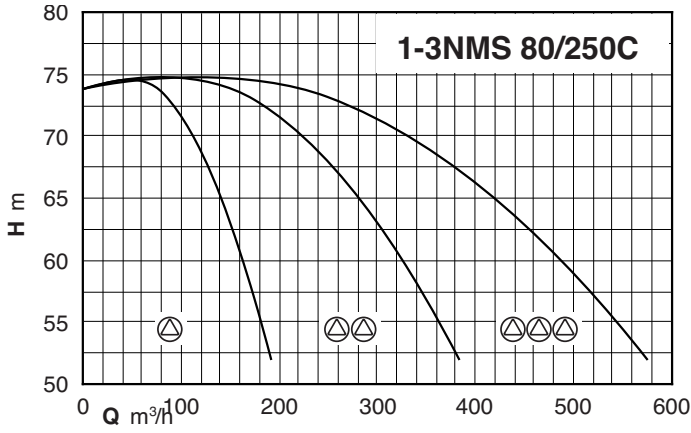
Coverage chart



Coverage chart



Coverage chart



Performance

Mains: 400V 3~ Motor: 400V 3~	Motor		Pres. switch 1 bar		Maximum capacity *		Vessel Membrane litre	Vessel litre
	kW	HP	min	max	Q l/min	H m		
BS1F 1NM 32/16B/A	1,5	2	2,2	2,8	281	22	500	800
BS1F 1NM 32/16A/B	2,2	3	2,7	3,4	279	28	500	1000
BS1F 1NM 32/20C/A	3	4	3,2	4,2	285	33	500	1000
BS1F 1NM 32/20A/B	4	5,5	4,5	5,5	259	46	750	1000
BS1F 1NMD 32/210D/B	4	5,5	5	7	189	51	500	500
BS1F 1NMD 32/210C/A	5,5	7,5	6	8	242	61	500	800
BS1F 1NMD 32/210B/A	7,5	10	8	10	233	82	750	1000
BS1F 1NMD 32/210A/B	9,2	12,5	9,5	11	215	97	1000	1500
BS1F 1NMD 40/180D/B	4	5,5	4	5,5	314	41	500	1000
BS1F 1NMD 40/180C/A	5,5	7,5	5	6,5	351	51	750	1500
BS1F 1NMD 40/180B/A	7,5	10	6,7	8,2	356	68	1000	2000
BS1F 1NMD 40/180A/B	9,2	12,5	7,5	9	348	76	1500	2000
BS1F 1NM 40/16B/B	3	4	1,5	2,5	690	15	750	1500
BS1F 1NM 40/16A/C	4	5,5	2,4	3,4	735	24	1000	2000
BS1F 1NM 40/20B/A	5,5	7,5	3,7	4,7	566	38	1500	3000
BS1F 1NM 40/20A/A	7,5	10	4,4	5,4	645	45	2000	4000
BS1F 1NM 40/25B/C	11	15	5,6	6,6	667	57	3000	5000
BS1F 1NM 40/25A/C	15	20	7,7	8,7	686	78	4000	-
BS1F 1NM 50/16B/B	5,5	7,5	1,7	2,7	1171	17	2000	4000
BS1F 1NM 50/16A/B	7,5	10	2,5	3,5	1212	25	3000	5000
BS1F 1NM 50/20B/C	9,2	12,5	3,5	4,5	1087	36	3000	5000
BS1F 1NM 50/20A/C	11	15	4,2	5,2	1143	43	4000	-
BS1F 1NM 50/25C/C	11	15	4,1	5,1	999	42	4000	-
BS1F 1NM 50/25B/C	15	20	5,6	6,6	993	57	4000	-
BS1F 1NM 50/25A/C	18,5	25	6,6	7,6	1175	67	5000	-
BS1F 1NM 65/16B/C	11	15	2,2	3,2	2223	22	4000	-
BS1F 1NM 65/16A/R	15	20	2,6	3,6	2238	27	5000	-
BS1F 1NM 65/16A/C	15	20	3,1	4,1	2205	32	5000	-
BS1F 1NM 65/20C/B	15	20	3	4	2101	31	-	-
BS1F 1NM 65/20B/B	18,5	25	3,6	4,6	2195	37	-	-
BS1F 1NM 65/20A	22	30	4,2	5,2	2238	43	-	-
BS1F 1NM 65/25C	22	30	5	6	1783	51	-	-
BS1F 1NMS 65/250B	30	40	6,6	7,6	1812	67	-	-
BS1F 1NMS 65/250A	37	50	7,7	8,7	1800	78	-	-
BS1F 1NM 80/16B/C	15	20	2,5	3,5	3391	25	-	-
BS1F 1NM 80/16A/C	18,5	25	2	3	2105	20	-	-
BS1F 1NM 80/20B	22	30	3,3	4,3	3040	34	-	-
BS1F 1NMS 80/200A	30	40	4,3	5,3	3005	44	-	-
BS1F 1NM 80/25E	22	30	3,8	4,8	2465	39	-	-
BS1F 1NMS 80/250D	30	40	4,5	6	2988	46	-	-
BS1F 1NMS 80/250C	37	50	5,5	7	3091	56	-	-
BS1F 1NMS 80/250B	45	60	6,5	8	3150	66	-	-
BS1F 1NMS 80/250A	55	75	8	9	3094	82	-	-

* Maximum pumps flow at minimum setting pressure switch.

Performance

BS2F

Mains: 400V 3~ Motor: 400V 3~	Motor		Pres. switch 1 bar		Pres. switch 2 bar		Maximum capacity *		Vessel Membrane litre	Vessel litre
	kW	HP	min	max	min	max	Q l/min	H m		
BS2F 2NM 32/16B/A	1,5 x2	2 x2	2,2	2,8	2	2,6	580	20	500	800
BS2F 2NM 32/16A/B	2,2 x2	3 x2	2,7	3,4	2,5	3,2	483	25	500	1000
BS2F 2NM 32/20C/A	3 x2	4 x2	3,2	4,2	3	4	546	31	500	1000
BS2F 2NM 32/20A/B	4 x2	5,5 x2	4,5	5,5	4	5	254	41	750	1000
BS2F 2NMD 32/210D/B	4 x2	5,5 x2	5	7	4,5	6,5	408	46	500	500
BS2F 2NMD 32/210C/A	5,5 x2	7,5 x2	6	8	5,5	7,5	500	56	500	800
BS2F 2NMD 32/210B/A	7,5 x2	10 x2	8	10	7,5	9,5	498	76	750	1000
BS2F 2NMD 32/210A/B	9,2 x2	12,5 x2	9,5	11	9	10,5	484	92	1000	1500
BS2F 2NMD 40/180D/B	4 x2	5,5 x2	4	5,5	3,5	5	697	36	500	1000
BS2F 2NMD 40/180C/A	5,5 x2	7,5 x2	5	6,5	4,5	6	764	46	750	1500
BS2F 2NMD 40/180B/A	7,5 x2	10 x2	6,7	8,2	6,2	7,7	772	63	1000	2000
BS2F 2NMD 40/180A/B	9,2 x2	12,5 x2	7,5	9	7	8,5	764	71	1500	2000
BS2F 2NM 40/16B/B	3 x2	4 x2	1,5	2,5	1,2	2,2	1410	12	750	1500
BS2F 2NM 40/16A/C	4 x2	5,5 x2	2,4	3,4	2	3	1583	20	1000	2000
BS2F 2NM 40/20B/A	5,5 x2	7,5 x2	3,7	4,7	3,3	4,3	1227	34	1500	3000
BS2F 2NM 40/20A/A	7,5 x2	10 x2	4,4	5,4	3,9	4,9	1403	40	2000	4000
BS2F 2NM 40/25B/C	11 x2	15 x2	5,6	6,6	5,1	6,1	1452	52	3000	5000
BS2F 2NM 40/25A/C	15 x2	20 x2	7,7	8,7	7,3	8,3	1446	74	4000	-
BS2F 2NM 50/16B/B	5,5 x2	7,5 x2	1,7	2,7	1,2	2,2	2609	12	2000	4000
BS2F 2NM 50/16A/B	7,5 x2	10 x2	2,5	3,5	2	3	2665	20	3000	5000
BS2F 2NM 50/20B/C	9,2 x2	12,5 x2	3,5	4,5	3	4	2466	31	3000	5000
BS2F 2NM 50/20A/C	11 x2	15 x2	4,2	5,2	3,7	4,7	2549	38	4000	-
BS2F 2NM 50/25C/C	11 x2	15 x2	4,1	5,1	3,6	4,6	2236	37	4000	-
BS2F 2NM 50/25B/C	15 x2	20 x2	5,6	6,6	5,1	6,1	2236	52	4000	-
BS2F 2NM 50/25A/C	18,5 x2	25 x2	6,6	7,6	6,1	7,1	2426	62	5000	-
BS2F 2NM 65/16B/C	11 x2	15 x2	2,2	3,2	1,7	2,7	4254	17	4000	-
BS2F 2NM 65/16A/R	15 x2	15 x2	2,6	3,6	2,1	3,1	4111	21	5000	-
BS2F 2NM 65/16A/C	15 x2	15 x2	3,1	4,1	2,6	3,6	4228	27	5000	--
BS2F 2NM 65/20C/B	15 x2	20 x2	3	4	2,5	3,5	4422	25	-	-
BS2F 2NM 65/20B/B	18,5 x2	25 x2	3,6	4,6	3,2	4,2	4283	33	-	-
BS2F 2NM 65/20A	22 x2	30 x2	4,2	5,2	3,8	4,8	4044	39	-	-
BS2F 2NM 65/25C	22 x2	30 x2	5	6	4,6	5,6	3608	47	-	-
BS2F 2NMS 65/250B	30 x2	40 x2	6,6	7,6	6,2	7,2	2970	63	-	-
BS2F 2NMS 65/250A	37 x2	50 x2	7,7	8,7	7,3	8,3	2994	74	-	-
BS2F 2NM 80/16B/C	15 x2	20 x2	2,2	3,2	1,7	2,7	6712	20	-	-
BS2F 2NM 80/16A/C	18,5 x2	25 x2	2,8	3,8	2,3	3,3	6593	23	-	-
BS2F 2NM 80/20B	22 x2	30 x2	3,3	4,3	3	4	5836	31	-	-
BS2F 2NMS 80/200A	30 x2	40 x2	4,3	5,3	4	5	5818	41	-	-
BS2F 2NM 80/25E	22 x2	30 x2	3,8	4,8	3,2	4,2	5691	33	-	-
BS2F 2NMS 80/250D	30 x2	40 x2	4,5	6	4	5,5	6416	41	-	-
BS2F 2NMS 80/250C	37 x2	50 x2	5,5	7	5	6,5	6407	51	-	-
BS2F 2NMS 80/250B	45 x2	60 x2	6,5	8	6	7,5	6376	61	-	-
BS2F 2NMS 80/250A	55 x2	75 x2	8	9	7,5	8,5	6400	76	-	-

* Maximum pumps flow at minimum setting pressure of 2nd pressure switch.

Performance

BS3F

Mains: 400V 3~ Motor: 400V 3~	Motor		Pres. switch 1 bar		Pres. switch 2 bar		Pres. switch 3 bar		Maximum capacity *		Vessel Membrane litre	Vessel litre
	kW	HP	min	max	min	max	min	max	Q l/min	H m		
BS3F 3NM 40/16B/B	3 x3	4 x3	2	2,6	1,6	2,2	1,2	1,8	2115	12	750	1500
BS3F 3NM 40/16A/C	4 x3	5,5 x3	2,7	3,4	2,3	3	1,9	2,6	2393	19	1000	2000
BS3F 3NM 40/20B/A	5,5 x3	7,5 x3	3,9	4,7	3,5	4,3	3,1	3,9	1879	32	1500	3000
BS3F 3NM 40/20A/A	7,5 x3	10 x3	4,4	5,4	4	5	3,6	4,6	2120	37	2000	4000
BS3F 3NM 40/25B/C	11 x3	15 x3	5,6	6,6	5,2	6,2	4,8	5,8	2189	49	3000	5000
BS3F 3NM 40/25A/C	15 x3	20 x3	7,9	8,7	7,5	8,3	7,1	7,9	2155	72	4000	-
BS3F 3NM 50/16B/B	5,5 x3	7,5 x3	1,9	2,7	1,5	2,3	1,1	1,9	3971	11	2000	4000
BS3F 3NM 50/16A/B	7,5 x3	10 x3	2,7	3,5	2,3	3,1	1,9	2,7	4039	19	3000	5000
BS3F 3NM 50/20B/C	9,2 x3	12,5 x3	3,5	4,5	3	4	2,5	3,5	3894	25	3000	5000
BS3F 3NM 50/20A/C	11 x3	15 x3	4,2	5,2	3,7	4,7	3,2	4,2	3903	33	4000	-
BS3F 3NM 50/25C/C	11 x3	15 x3	4,1	5,1	3,6	4,6	3,1	4,1	3524	32	4000	-
BS3F 3NM 50/25B/C	15 x3	20 x3	5,6	6,6	5,1	6,1	4,6	5,6	3497	47	4000	-
BS3F 3NM 50/25A/C	18,5 x3	25 x3	6,7	7,7	6,3	7,3	5,9	6,9	3563	60	5000	-
BS3F 3NM 65/16B/C	11 x3	15 x3	2,2	3,2	1,9	2,9	1,6	2,6	6128	16	4000	-
BS3F 3NM 65/16A/R	15 x3	20 x3	2,6	3,6	2,3	3,3	2	3	5831	20	5000	-
BS3F 3NM 65/16A/C	15 x3	20 x3	3,1	4,1	2,8	3,8	2,5	3,5	6053	25	5000	-
BS3F 3NM 65/20C/B	15 x3	20 x3	3	4	2,7	3,7	2,4	3,4	6622	24	-	-
BS3F 3NM 65/20B/B	18,5 x3	25 x3	3,6	4,6	3,3	4,3	3	4	6090	31	-	-
BS3F 3NM 65/20A	22 x3	30 x3	4,2	5,2	3,9	4,9	3,6	4,6	5410	37	-	-
BS3F 3NM 65/25C	22 x3	30 x3	5	6	4,7	5,7	4,4	5,4	5290	45	-	-
BS3F 3NMS 65/250B	30 x3	40 x3	6,6	7,6	6,3	7,3	6	7	3590	61	-	-
BS3F 3NMS 65/250A	37 x3	50 x3	7,7	8,7	7,4	8,4	7,1	8,1	3651	72	-	-
BS3F 3NM 80/16B/C	15 x3	20 x3	2,2	3,2	1,9	2,9	1,6	2,6	7854	16	-	-
BS3F 3NM 80/16A/C	18,5 x3	25 x3	2,8	3,8	2,5	3,5	2,2	3,2	8027	22	-	-
BS3F 3NM 80/20B	22 x3	30 x3	3,3	4,3	3,1	4,1	2,9	3,9	8491	30	-	-
BS3F 3NMS 80/200A	30 x3	40 x3	4,3	5,3	4,1	5,1	3,9	4,9	8488	40	-	-
BS3F 3NM 80/25E	22 x3	30 x3	3,8	4,8	3,4	4,4	3	4	8818	31	-	-
BS3F 3NMS 80/250D	30 x3	40 x3	5	6	4,5	5,5	4	5	9625	41	-	-
BS3F 3NMS 80/250C	37 x3	50 x3	6	7	5,5	6,5	5	6	9610	51	-	-
BS3F 3NMS 80/250B	45 x3	60 x3	7	8	6,5	7,5	6	7	9564	61	-	-
BS3F 3NMS 80/250A	55 x3	75 x3	8	9	7,6	8,6	7,2	8,2	9323	73	-	-

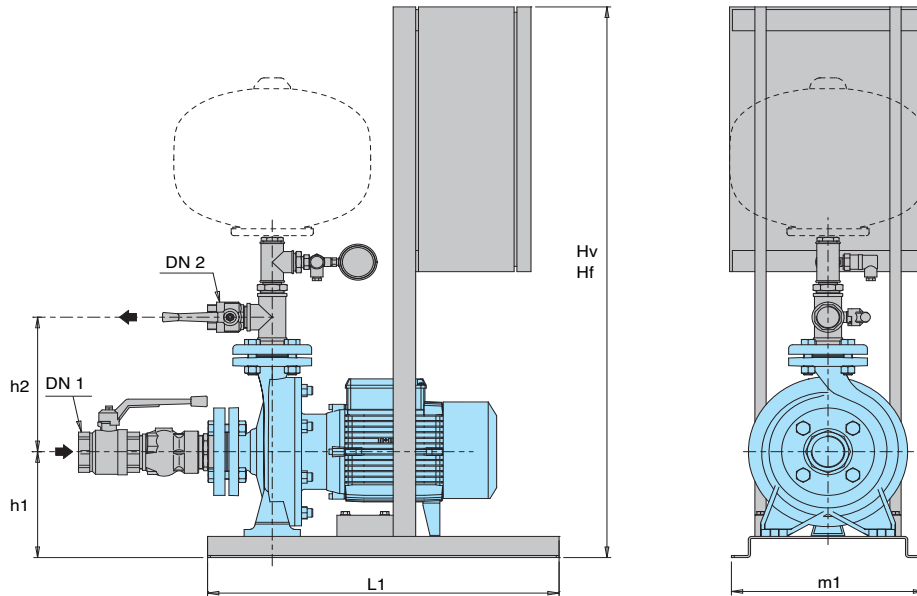
* Maximum pumps flow at minimum setting pressure of 3rd pressure switch.

Performance

BS..

PUMPS Nos						PUMP TYPE	P ₂ For each pump	
1	2	3	4	5	6		kW	HP
BS1V	BS2V BS1V1F	BS3V BS1V2F	BS4V BS1V3F	BS5V BS1V4F	BS6V BS1V5F	NM 32/16B/A	1,5	2
						NM 32/16A/B	2,2	3
						NM 32/20C/A	3	4
						NM 32/20A/B	4	5,5
						NMD 32/210D/B	4	5,5
						NMD 32/210C/A	5,5	7,5
						NMD 32/210B/A	7,5	10
						NMD 32/210A/B	9,2	12,5
						NMD 40/180D/B	4	5,5
						NMD 40/180C/A	5,5	7,5
						NMD 40/180B/A	7,5	10
						NMD 40/180A/B	9,2	12,5
						NM 40/16B/B	3	4
						NM 40/16A/C	4	5,5
						NM 40/20B/A	5,5	7,5
						NM 40/20A/A	7,5	10
						NM 40/25B/C	11	15
						NM 40/25A/C	15	20
						NM 50/16B/B	5,5	7,5
						NM 50/16A/B	7,5	10
						NM 50/20B/C	9,2	12,5
						NM 50/20A/C	11	15
						NM 50/25C/C	11	15
						NM 50/25B/C	15	20
						NM 50/25A/C	18,5	25
						NM 65/16B/C	11	15
						NM 65/16A/R	15	20
						NM 65/16A/C	15	20
						NM 65/20C/B	15	20
						NM 65/20B/B	18,5	25
						NM 65/20A	22	30
						NM 65/25C	22	30
NMS 65/250B	30	40						
NMS 65/250A	37	50						
NM 80/16B/C	15	20						
NM 80/16A/C	18,5	25						
NM 80/20B	22	30						
NMS 80/200A	30	40						
NM 80/25E	22	30						
NMS 80/250D	30	40						
NMS 80/250C	37	50						
NMS 80/250B	45	60						
NMS 80/250A	55	75						

Dimensions

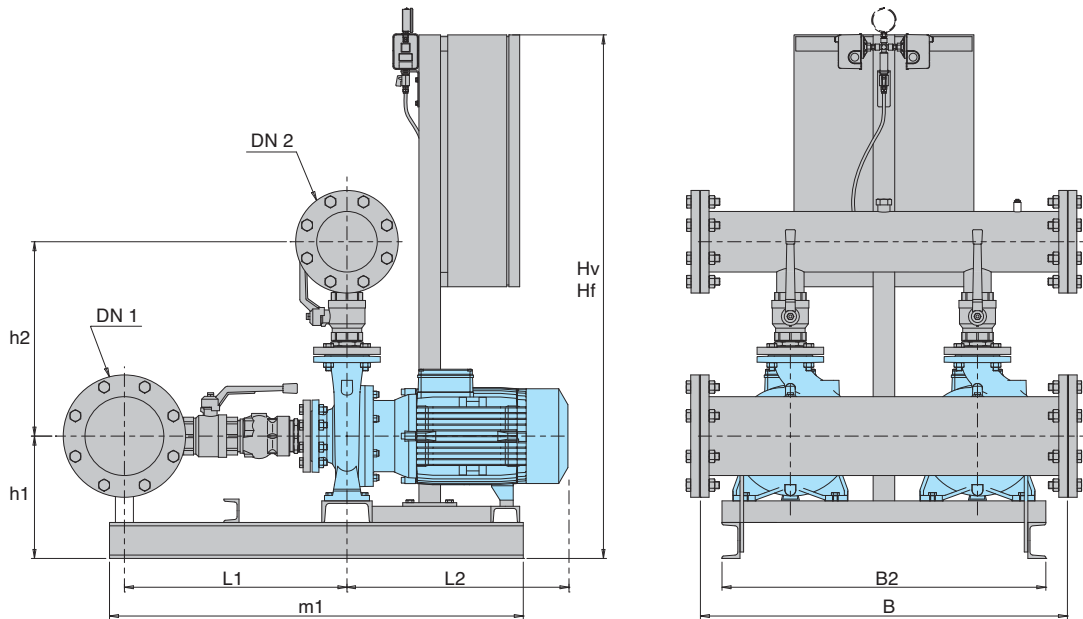


	Connection		mm					weight
	DN 1	DN 2	Hv	Hf	h1	L1	m1	kg
BS1F 1NM 32/16B/A	G 2	G 1	1045	875	175	625	365	-
BS1F 1NM 32/16A/B								
BS1F 1NM 32/20C/A	G 2	G 1	1045	875	205	625	365	-
BS1F 1NM 32/20A/B								
BS1F 1NMD 32/210D/B					135			
BS1F 1NMD 32/210C/A	G 2	G 1 1/4	1045	875	155	625	365	-
BS1F 1NMD 32/210B/A					155			
BS1F 1NMD 32/210A/B					175			
BS1F 1NMD 40/180D/B					135			
BS1F 1NMD 40/180C/A	G 2	G 1 1/2	1045	875	155	625	365	-
BS1F 1NMD 40/180B/A					155			
BS1F 1NMD 40/180A/B					175			
BS1F 1NM 40/16B/B	G 2 1/2	G 1 1/2	1045	875	175	625	365	-
BS1F 1NM 40/16A/C								
BS1F 1NM 40/20B/A	G 2 1/2	G 1 1/2	1145	875	205	625	365	-
BS1F 1NM 40/20A/A			1145	1145				
BS1F 1NM 40/25B/C	G 2 1/2	G 1 1/2	-	-	-	-	-	-
BS1F 1NM 40/25A/C								
BS1F 1NM 50/16B/B	G 2 1/2	G 2	-	-	-	-	-	-
BS1F 1NM 50/16A/B								
BS1F 1NM 50/20B/C	G 2 1/2	G 2	-	-	-	-	-	-
BS1F 1NM 50/20A/C								
BS1F 1NM 50/25C/C								
BS1F 1NM 50/25B/C	G 2 1/2	G 2	-	-	-	-	-	-
BS1F 1NM 50/25A/C								
BS1F 1NM 65/16B/C								
BS1F 1NM 65/16A/C	G 3	G 2 1/2	-	-	-	-	-	-
BS1F 1NM 65/20C/B								
BS1F 1NM 65/20B/B	G 3	G 2 1/2	-	-	-	-	-	-
BS1F 1NM 65/20A								
BS1F 1NM 65/25C								
BS1F 1NMS 65/250B	G 3	G 2 1/2	-	-	-	-	-	-
BS1F 1NMS 65/250A								
BS1F 1NM 80/16B/C	100	80	-	-	-	-	-	-
BS1F 1NM 80/16A/C								
BS1F 1NM 80/20B	100	80	-	-	-	-	-	-
BS1F 1NMS 80/200A								
BS1F 1NM 80/25E								
BS1F 1NMS 80/250D								
BS1F 1NMS 80/250C	100	80	-	-	-	-	-	-
BS1F 1NMS 80/250B								
BS1F 1NMS 80/250A								

Dimensions not binding to be verified when ordering

* Cabinet version

Dimensions

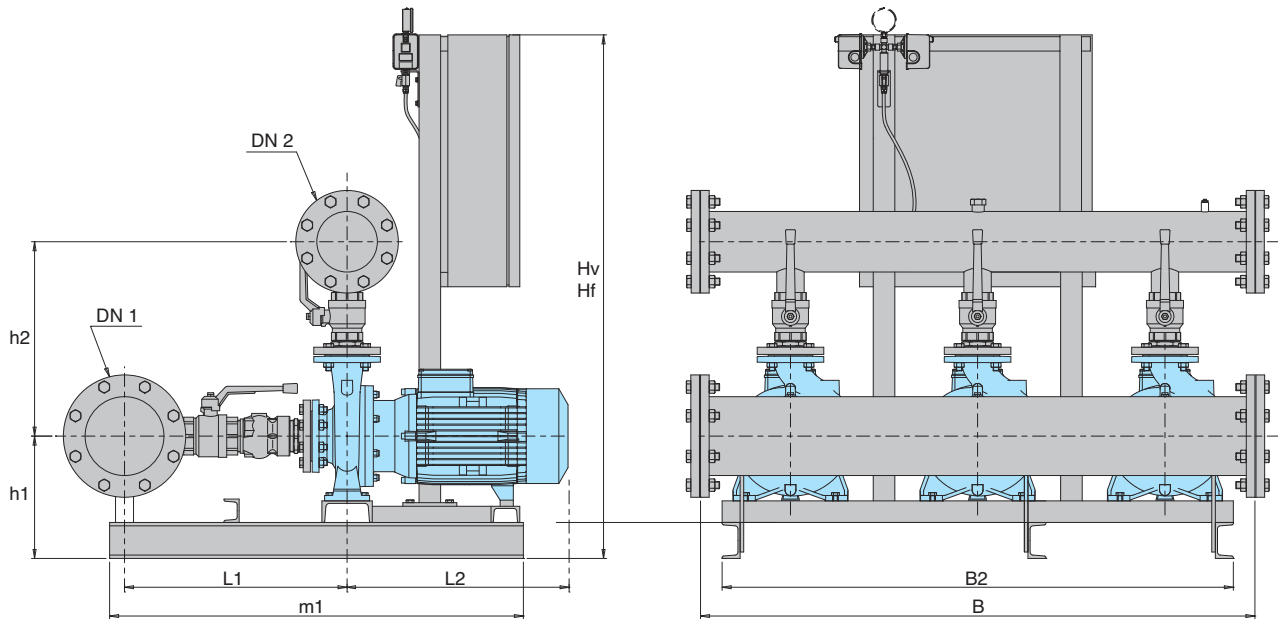


TYPE	Connection		mm										weight kg
	DN 1	DN 2	Hf	Hv	h1	h2	L1	L2	m1	B	B2		
BS2.. 2NM 32/16B/A	G 3	G 2 1/2	830	1210	165	345	385	330	235	600	625	-	
BS2.. 2NM 32/16A/B			830	1210	165			370					
BS2.. 2NM 32/20C/A	G 3	G 2 1/2	830	1210	195	365	385	395	235	600	625	-	
BS2.. 2NM 32/20A/B			830	1210	195			395					
BS2.. 2NMD 32/210D/B	G 3	G 2 1/2	890	1270	245	380	460	420	550	700	800	-	
BS2.. 2NMD 32/210C/A			890	1370	272			440					
BS2.. 2NMD 32/210B/A	G 3	G 2 1/2	1370	1370	272	460	475	440	550	700	800	-	
BS2.. 2NMD 32/210A/B			1370	1670	307			515					
BS2.. 2NMD 40/180D/B	G 3	G 2 1/2	890	1270	245	460	475	415	550	700	800	-	
BS2.. 2NMD 40/180C/A			890	1370	272			435					
BS2.. 2NMD 40/180B/A	G 3	G 2 1/2	1370	1370	272	460	475	435	550	700	800	-	
BS2.. 2NMD 40/180A/B			1370	1670	307			510					
BS2.. 2NM 40/16B/B	100	80	830	1210	187	380	480	395	550	820	800	-	
BS2.. 2NM 40/16A/C			830	1210	187			395					
BS2.. 2NM 40/20B/A	100	80	830	1310	215	400	500	425	550	820	800	-	
BS2.. 2NM 40/20A/A			1310	1310	215			425					
BS2.. 2NM 40/25B/C	100	80	1455	1755	340	440	500	540	-	820	-	-	
BS2.. 2NM 40/25A/C			1455	1755	240			615					
BS2.. 2NM 50/16B/B	125	100	975	1455	315	435	515	425	-	820	-	-	
BS2.. 2NM 50/16A/B			1455	1455	215			425					
BS2.. 2NM 50/20B/C	125	100	1455	1755	315	455	515	540	-	820	-	-	
BS2.. 2NM 50/20A/C			1455	1755	215			540					
BS2.. 2NM 50/25C/C	125	100	1455	1755	340	480	515	545	-	820	-	-	
BS2.. 2NM 50/25B/C			1455	1755	240			620					
BS2.. 2NM 50/25A/C	125	100	1455	1855	240	480	515	620	-	820	-	-	
BS2.. 2NM 65/16B/C			1455	1755	320			620					
BS2.. 2NM 65/16A/R	200	150	1455	1755	320	525	625	540	-	1020	-	-	
BS2.. 2NM 65/16A/C			1455	1755	220			615					
BS2.. 2NM 65/20C/B	200	150	1455	1755	340	550	625	615	-	1020	-	-	
BS2.. 2NM 65/20B/B			1455	1855	240			615					
BS2.. 2NM 65/20A	200	150	1655	1855	260	550	625	725	-	1020	-	-	
BS2.. 2NM 65/25C			1655	1855	360			725					
BS2.. 2NMS 65/250B	200	150	1655	1855	260	575	625	725	-	1200	-	-	
BS2.. 2NMS 65/250A			1855	1600*	310			975					
BS2.. 2NM 80/16B/C	250	200	1455	1755	340	615	730	620	-	1050	-	-	
BS2.. 2NM 80/16A/C			1455	1855	240			620					
BS2.. 2NM 80/20B	250	200	1655	1855	360	640	730	725	-	1050	-	-	
BS2.. 2NMS 80/200A			1655	1855	260			725					
BS2.. 2NM 80/25E	250	200	1655	1855	360	670	730	725	-	1200	-	-	
BS2.. 2NMS 80/250D			1655	1855	260			725					
BS2.. 2NMS 80/250C	250	200	1855	1600*	310	670	730	975	-	1200	-	-	
BS2.. 2NMS 80/250B			1400*	2100*	310			1040					
BS2.. 2NMS 80/250A	250	200	1400*	2100*	310	670	730	1110	-	1200	-	-	

Dimensions not binding to be verified when ordering

* Cabinet version

Dimensions



TYPE	Connection		mm									weight kg
	DN 1	DN 2	Hf	Hv	h1	h2	L1	L2	m1	B	B2	
BS3.. 3NM 40/16B/B	125	100	830	1310	187	390	495	395	550	1340	800	-
BS3.. 3NM 40/16A/C			830	1310	187			395				
BS3.. 3NM 40/20B/A	125	100	830	1610	215	410	515	425	550	1340	800	-
BS3.. 3NM 40/20A/A			1410	1610	215			425				
BS3.. 3NM 40/25B/B	125	100	1555	1700*	340	450	515	540	-	1340	-	-
BS3.. 3NM 40/25A/B			1555	1700*	240			615				
BS3.. 3NM 50/16B/B	150	125	975	1755	315	448	525	425	-	1340	-	-
BS3.. 3NM 50/16A/B			1555	1755	215			425				
BS3.. 3NM 50/20B/C	150	125	1555	1700*	315	468	525	540	-	1340	-	-
BS3.. 3NM 50/20A/C			1555	1700*	215			540				
BS3.. 3NM 50/25C/C	150	125	1555	1700*	340	493	525	545	-	1540	-	-
BS3.. 3NM 50/25B/C			1555	1700*	240			620				
BS3.. 3NM 50/25A/C			1755	1700*	240			620				
BS3.. 3NM 65/16B/C			1555	1700*	320			540				
BS3.. 3NM 65/16AR	250	200	1555	1700*	320	555	650	540	-	1540	-	-
BS3.. 3NM 65/16A/C			1555	1700*	220			615				
BS3.. 3NM 65/20C/B			1555	1700*	340			615				
BS3.. 3NM 65/20B/B			1755	1700*	240			580				
BS3.. 3NM 65/20A	250	200	1855	1700*	260	605	650	725	-	1900	-	-
BS3.. 3NM 65/25C			1855	1700*	360			725				
BS3.. 3NMS 65/250B			1855	1700*	260			725				
BS3.. 3NMS 65/250A			1545	-	310			975				
BS3.. 3NM 80/16B/C	300 ⁽¹⁾	250	1555	1700*	340	645	755	620	-	1900	-	-
BS3.. 3NM 80/16A/C			1755	1700*	240			620				
BS3.. 3NM 80/20B	300 ⁽¹⁾	250	1855	1700*	360	670	755	725	-	1900	-	-
BS3.. 3NMS 80/200A			1855	1700*	260			725				
BS3.. 3NM 80/25E			1855	1700*	360			725				
BS3.. 3NMS 80/250D			1855	1700*	260			725				
BS3.. 3NMS 80/250C	300 ⁽¹⁾	250	1400*	-	310	700	755	975	-	1900	-	-
BS3.. 3NMS 80/250B			1400*	-	310			1040				
BS3.. 3NMS 80/250A			1400*	-	310			1110				

Dimensions not binding to be verified when ordering

⁽¹⁾ Only on request

* Cabinet version